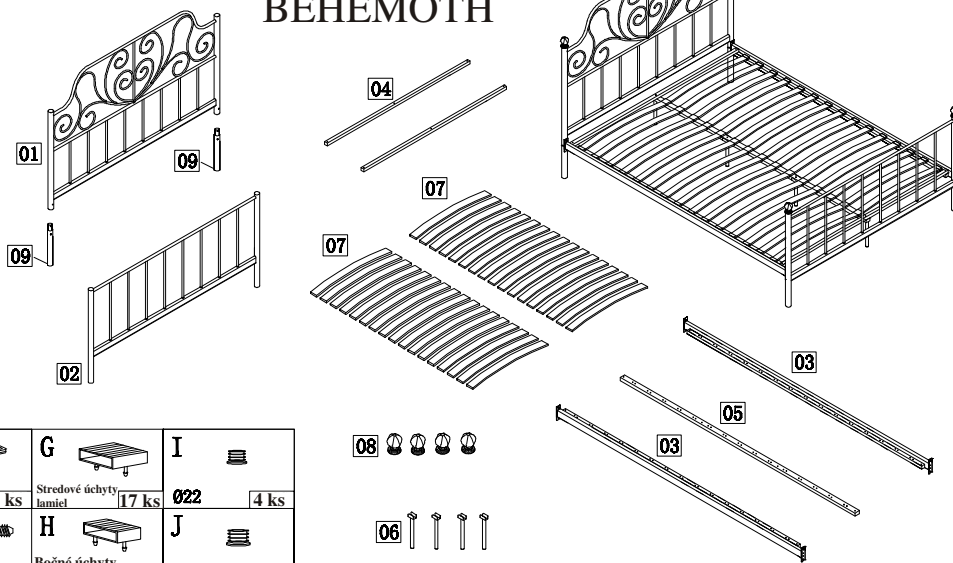


Montážny návod

ML-070-A

BEHEMOTH

| Číslo | ČASTI | Ks |
|-------|-------------------------------|----|
| 01 | Čelo - záhlavie | 1 |
| 02 | Čelo - zánožie | 1 |
| 03 | Boky postele | 2 |
| 04 | Priečne spojovacie tyče | 2 |
| 05 | Stredová lišta | 1 |
| 06 | Nohy k stredovej lište | 4 |
| 07 | Lamely roštu | 34 |
| 08 | Guľové zakončenia na nohy | 4 |
| 09 | Predlžovacie tyče na záhlavie | 2 |

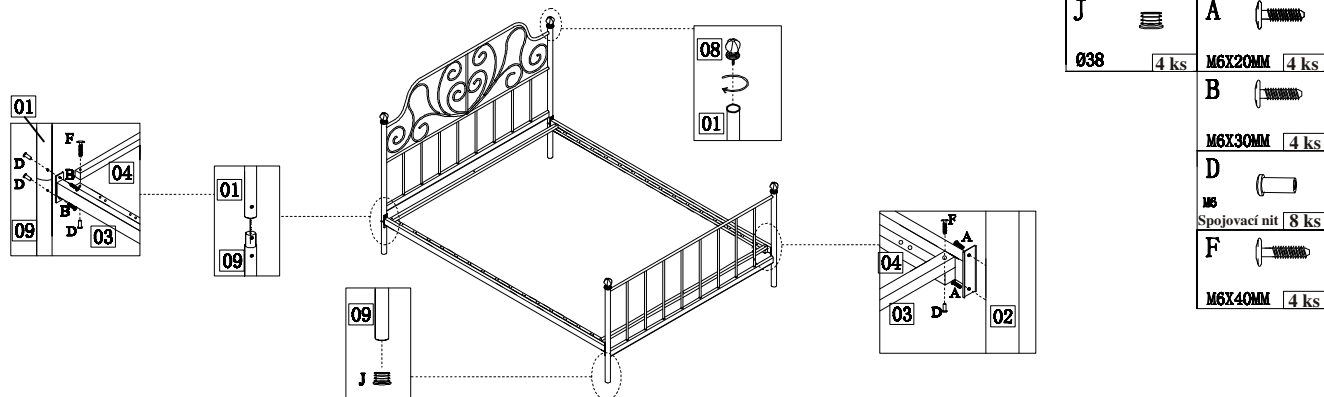


Zoznam častí

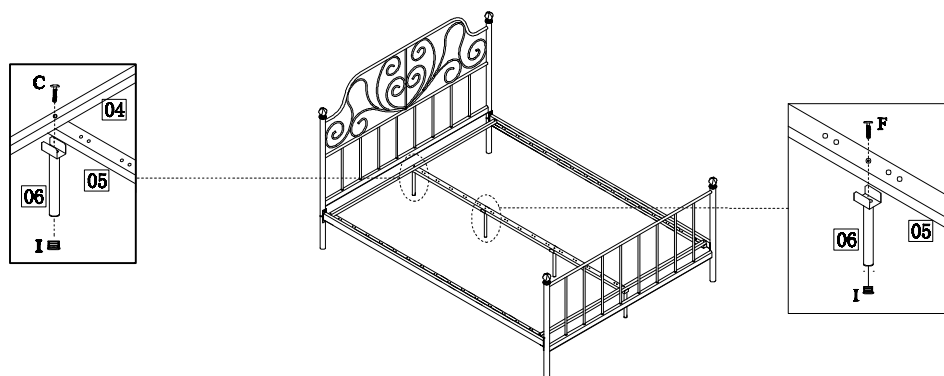
| | | | | | | | | | |
|----------|------|-----------|------|----------|------|------------------------|-------|----------|------|
| A | | C | | E | | G | | I | |
| M6X20MM | 4 ks | M6X60MM | 2 ks | 4X4MM | 2 ks | Stredové úchyty lamiel | 17 ks | Ø22 | 4 ks |
| B | | D | | F | | H | | J | |
| M6X30MM | 4 ks | Joint nut | 8 ks | M6X40MM | 6 ks | Bočné úchyty lamiel | 34 ks | Ø38 | 4 ks |

08

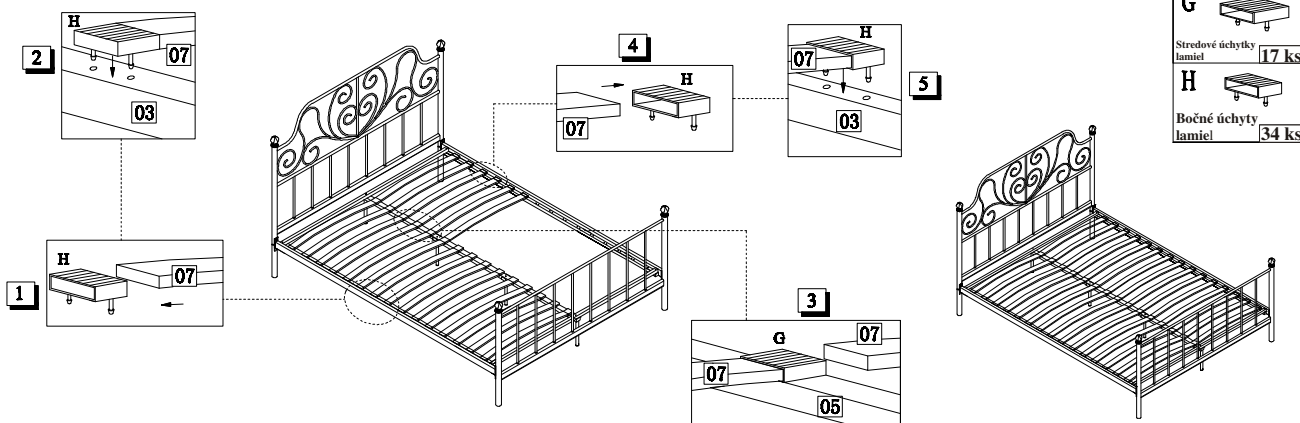
06



| | | | |
|----------|------|---------------|------|
| J | | A | |
| Ø38 | 4 ks | M6X20MM | 4 ks |
| | | B | |
| | | M6X30MM | 4 ks |
| | | D | |
| | | M6 | 8 ks |
| | | Spojovací nit | 8 ks |
| | | F | |
| | | M6X40MM | 4 ks |



| | |
|----------|------|
| C | |
| M6X60MM | 2 ks |
| F | |
| M6X40MM | 2 ks |
| I | |
| Ø22 | 4 ks |



| | |
|------------------------|-------|
| G | |
| Stredové úchyty lamiel | 17 ks |
| H | |
| Bočné úchyty lamiel | 34 ks |