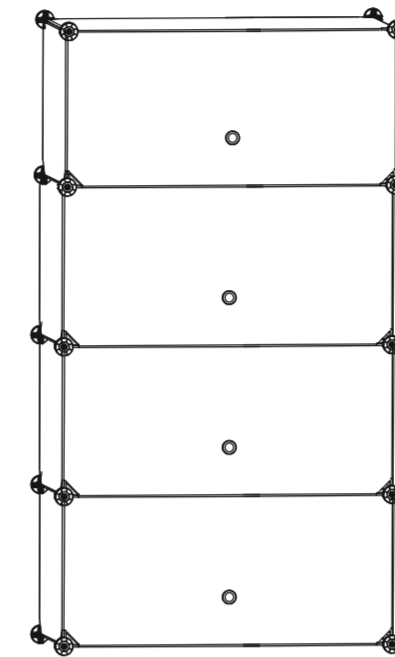
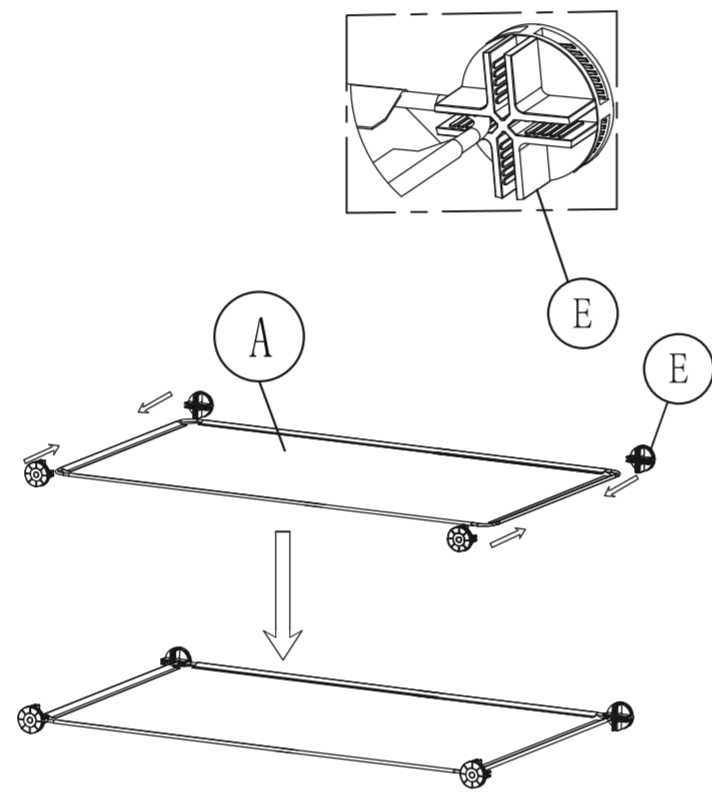


# PORET

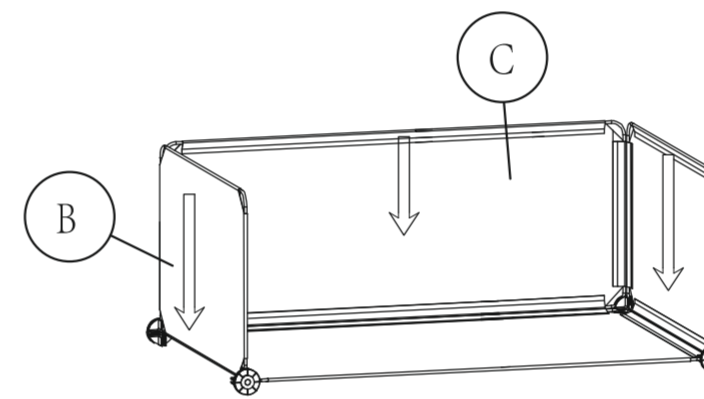
		(cm)	
A	5x	35X45	
B	8x	35X17	
C	4x	45X17	
D	4x	45X17	
E	20x		



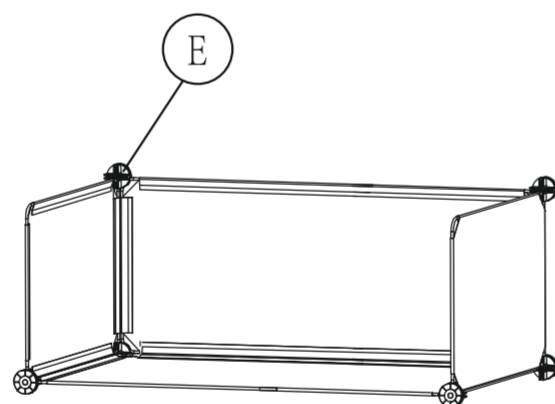
1  
A×1  
E×4



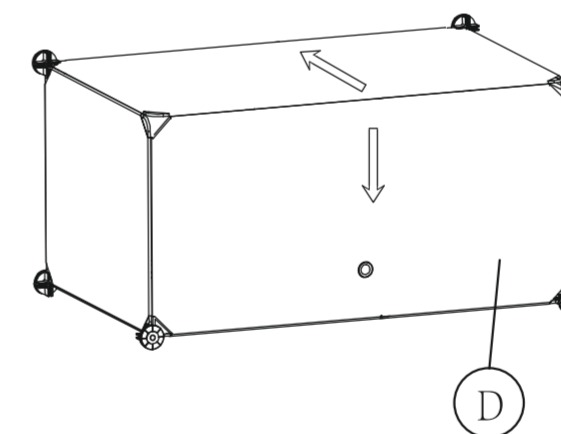
2  
C×1  
B×2



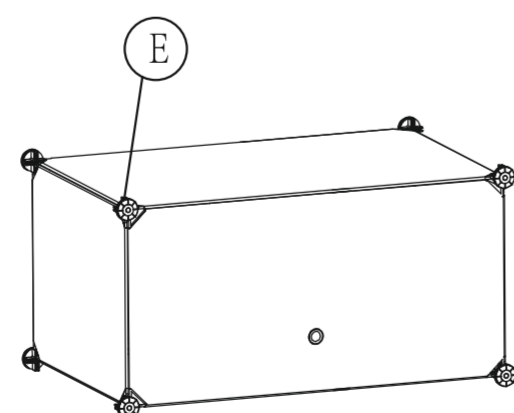
3  
E×2



4  
D×1



5  
E×8



6

