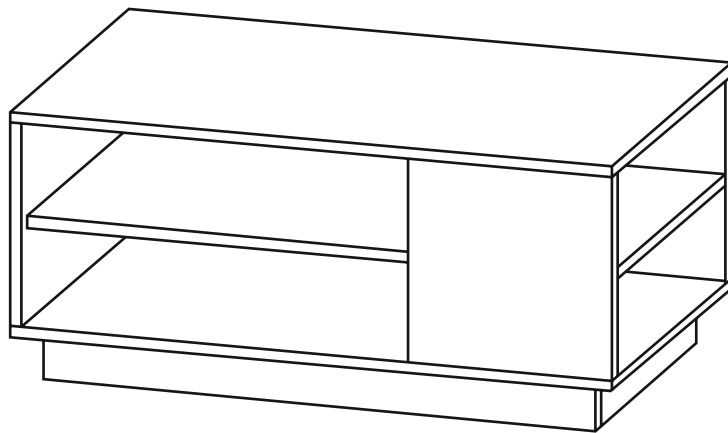



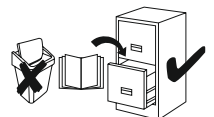
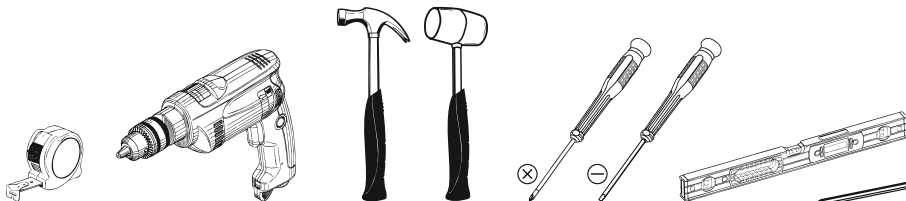
# CITY

I

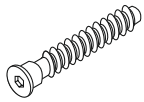
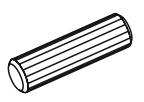
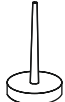
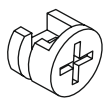
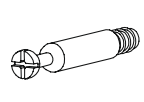

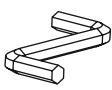

I - 1000 mm / 455 mm / 600 mm



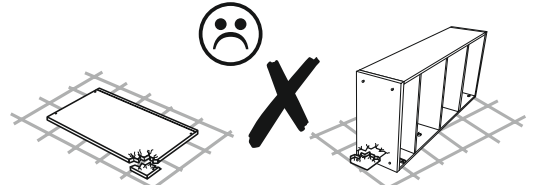
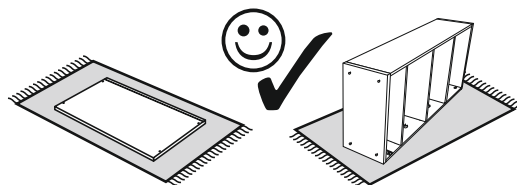
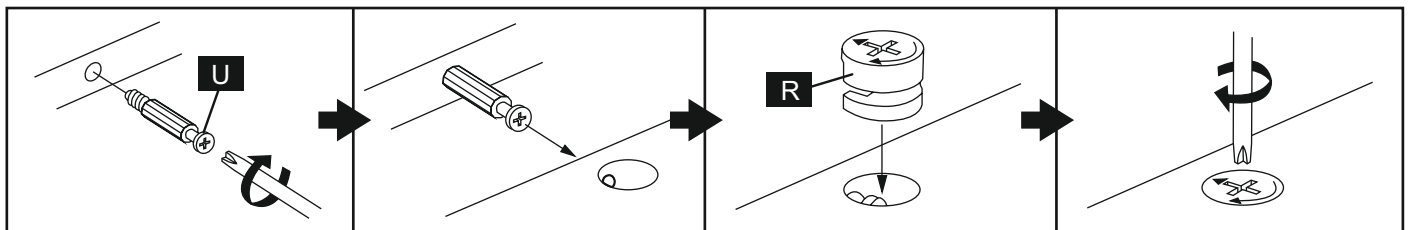
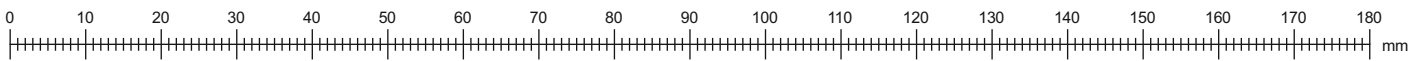
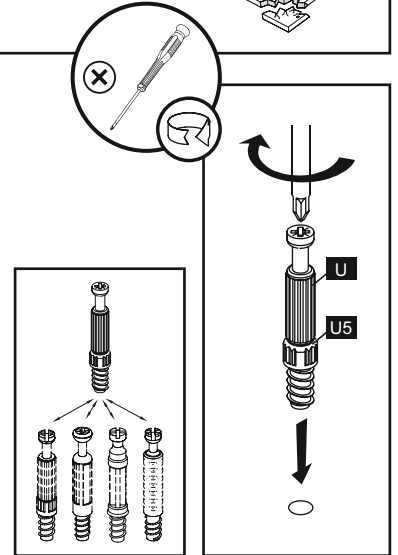
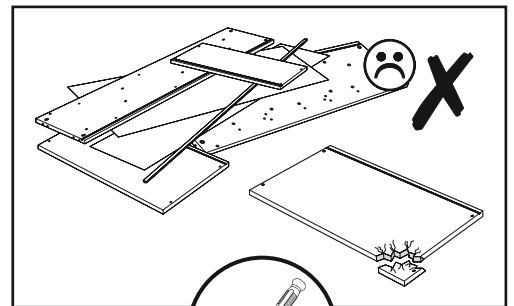
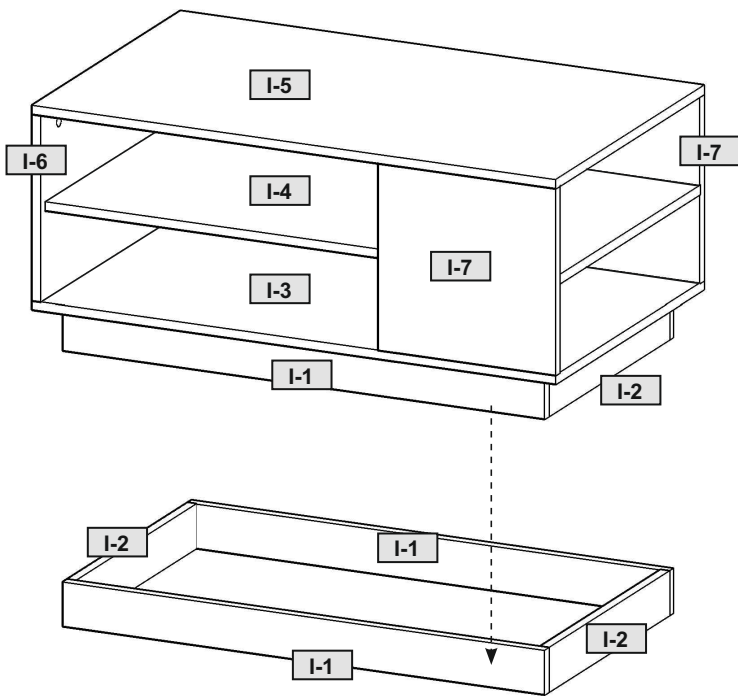
 100 min.



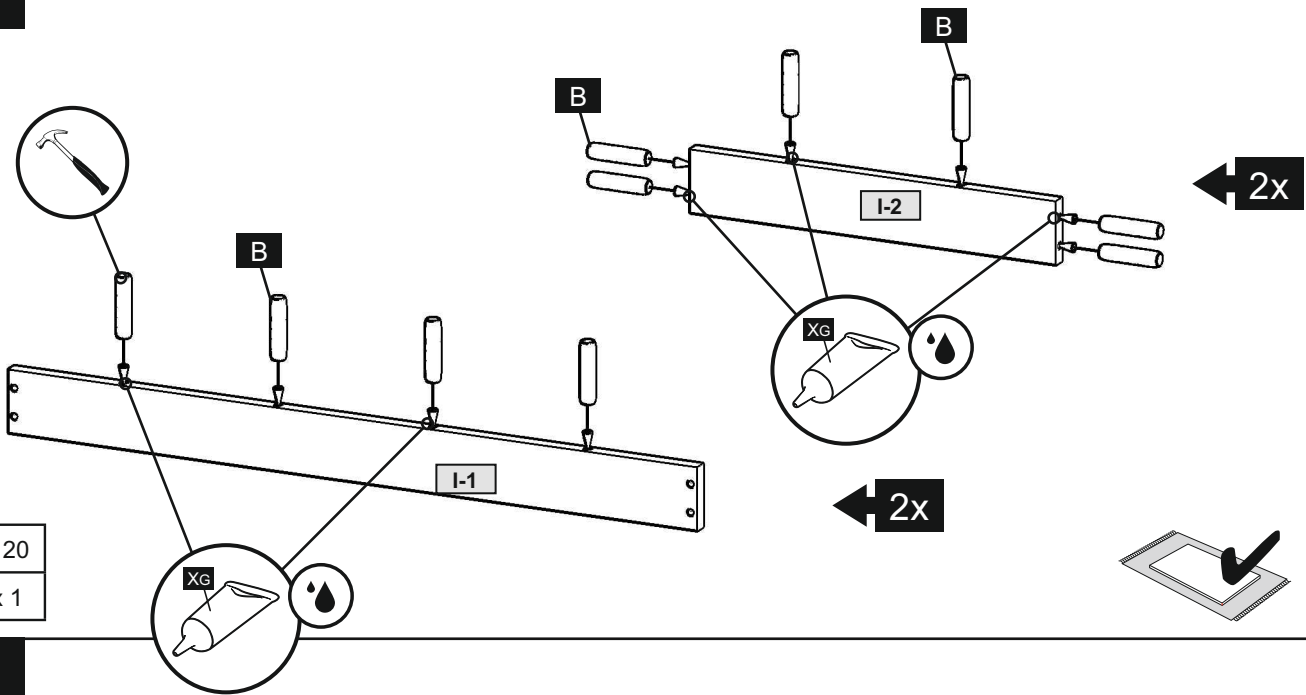
I:

<b>A</b>  7 x 50 mm x 6	<b>B</b>  8 x 32 mm x 38	<b>G2</b>  x 6	<b>R</b>  H=11 mm x 12	<b>U</b>  L=24,3 mm x 12	<b>ZR</b>  Ø 15 x 12
<b>XA</b>  x 1	<b>XG</b>  GLUE x 1				

1	I-1	920 / 80 / 16 mm	x 2
2	I-2	488 / 80 / 16 mm	x 2
3	I-3	1000 / 601 / 16 mm	x 1
4	I-4	981 / 566 / 16 mm	x 1
5	I-5	1000 / 601 / 16 mm	x 1
6	I-6	600 / 338 / 16 mm	x 1
7	I-7	338 / 338 / 16 mm	x 2

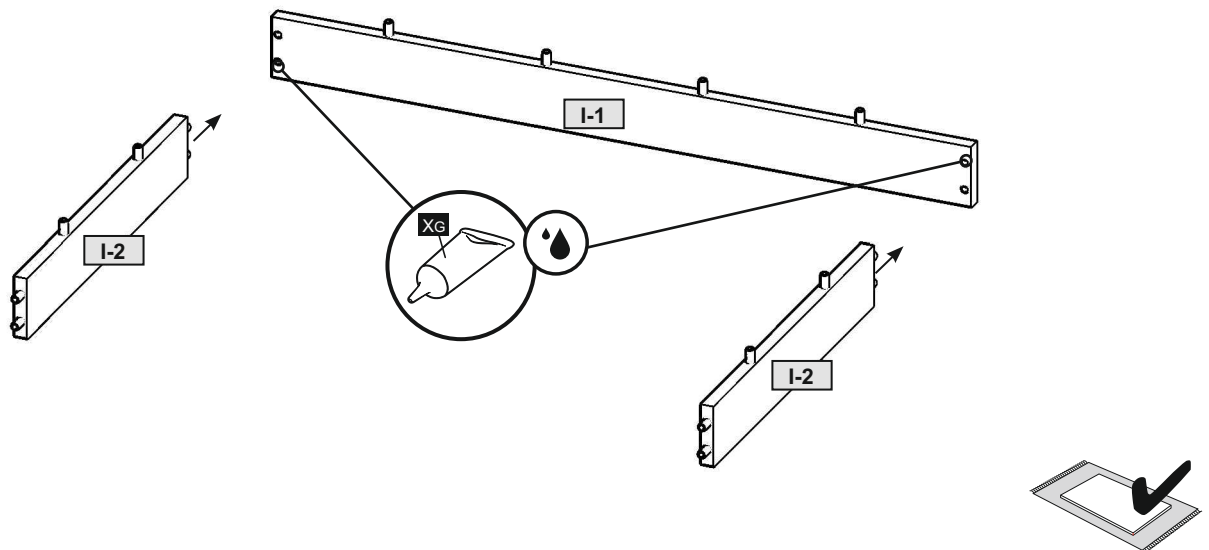


I / 1



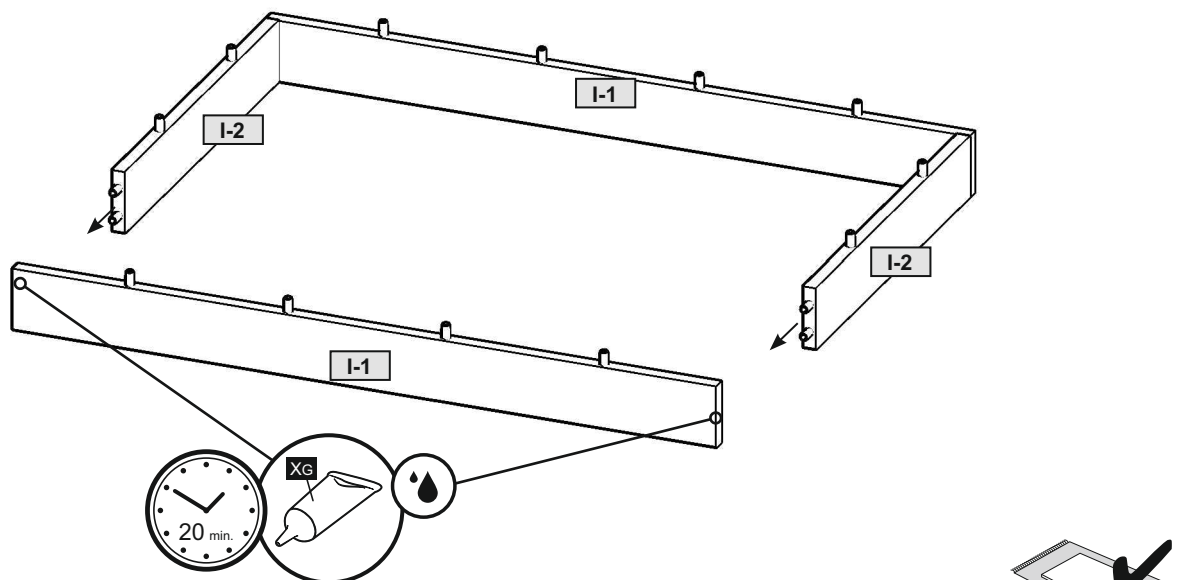
B	x 20
XG	x 1

I / 2



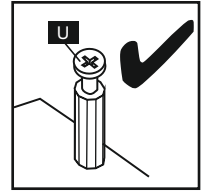
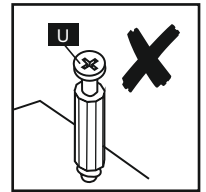
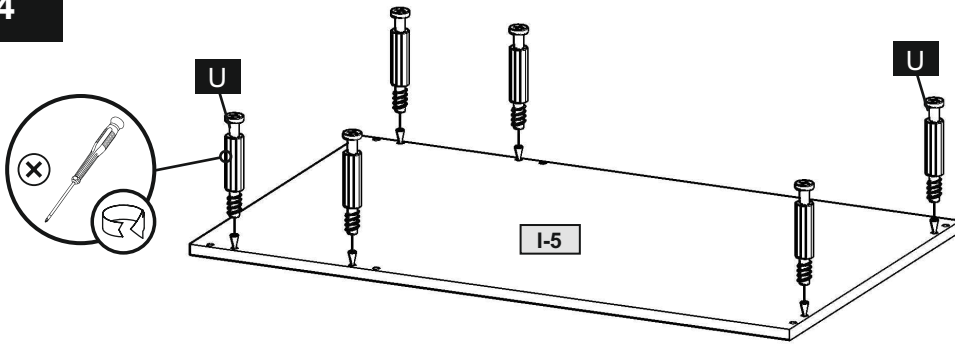
XG	x 1
----	-----

I / 3

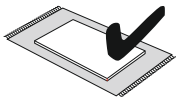
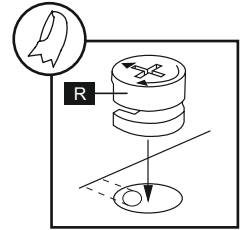
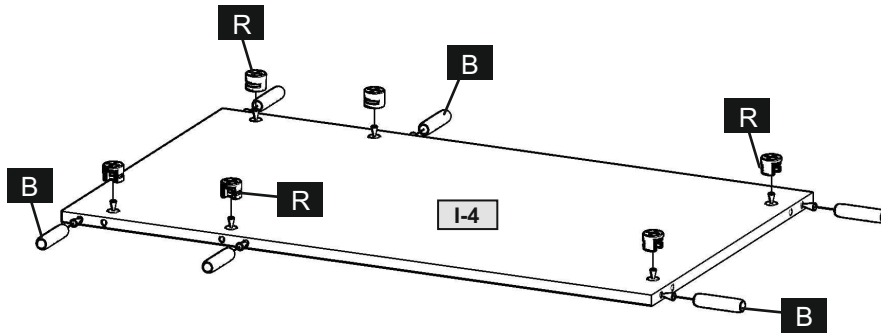


XG	x 1
----	-----

1/4

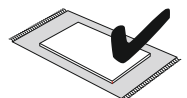
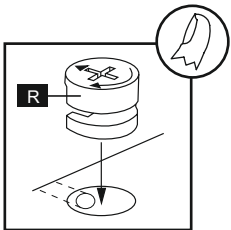
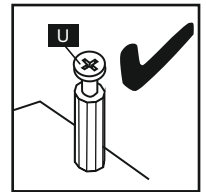
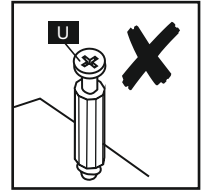
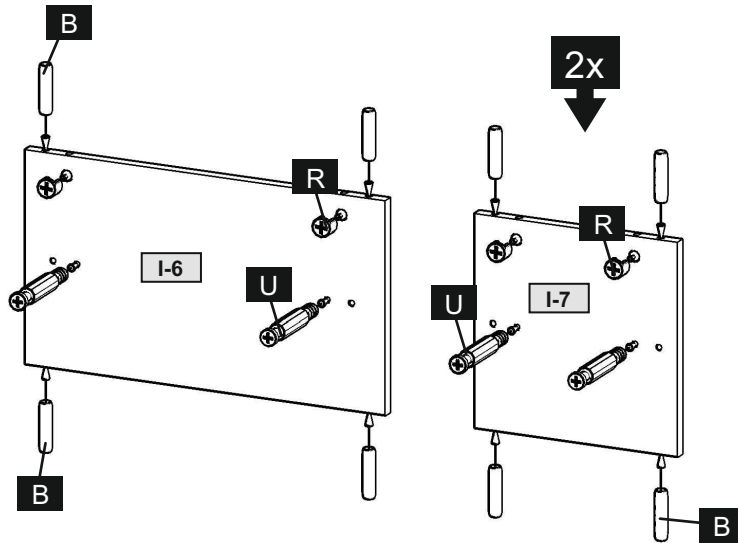


B	x 6
R	x 6
U	x 6

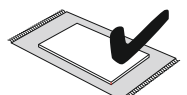
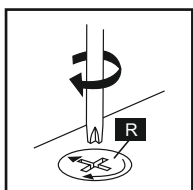
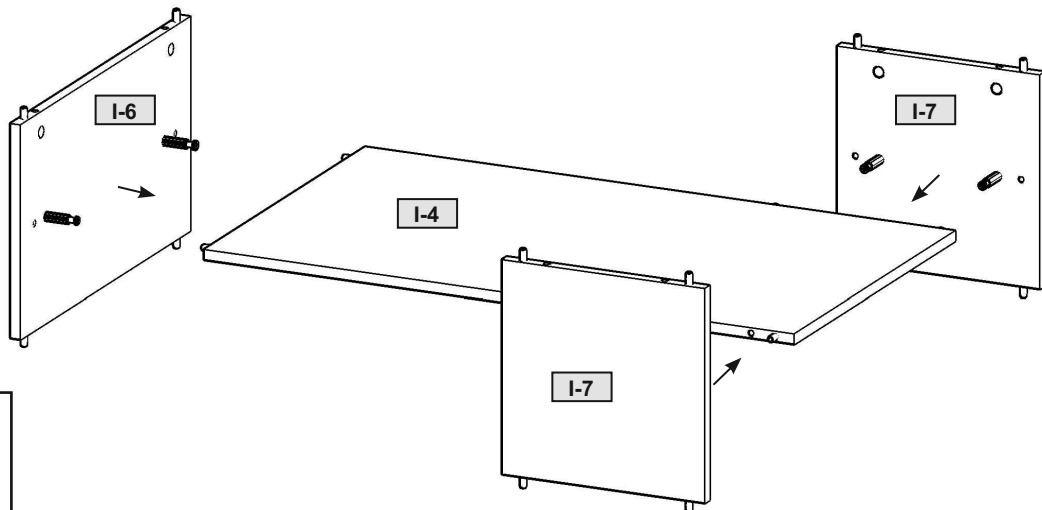


1/5

B	x 12
R	x 6
U	x 6

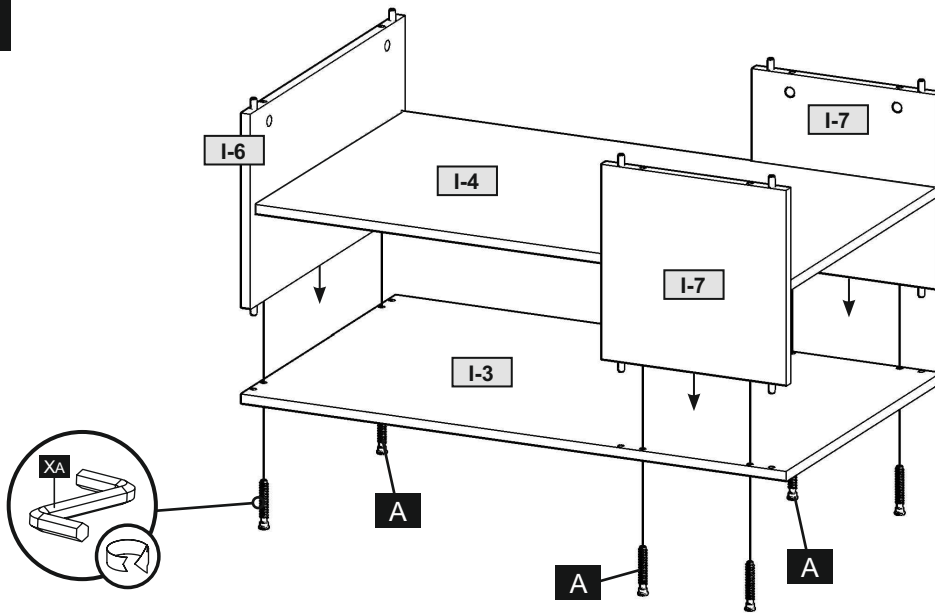


1/6

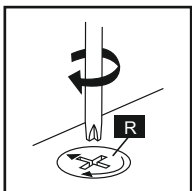
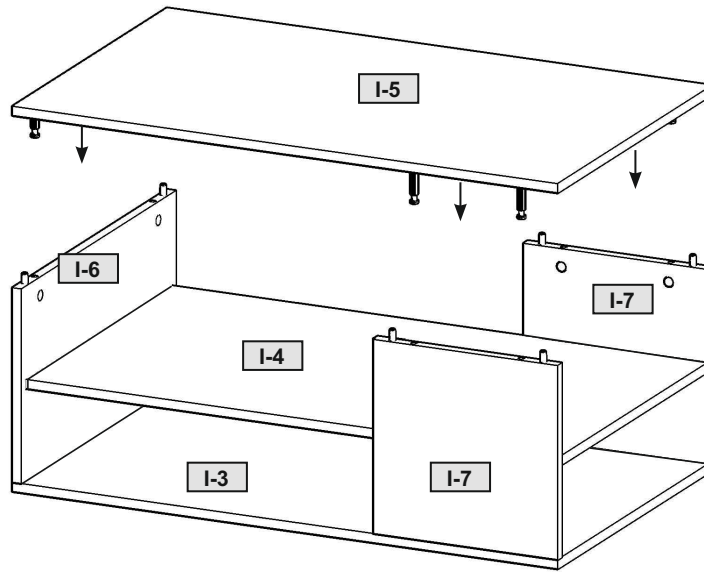


1/7

A	x 6
XA	x 1



1/8



1/9

G2	x 6
XG	x 1
ZR	x 12

