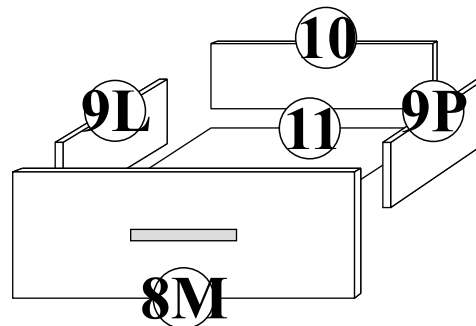
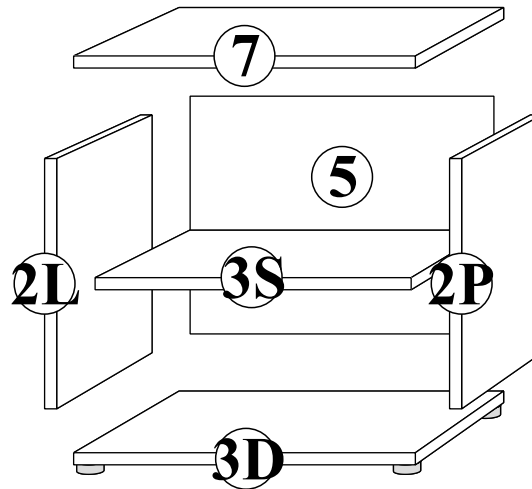
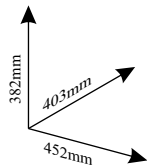
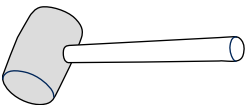
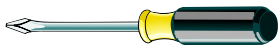
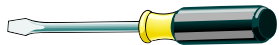
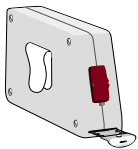
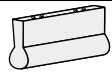
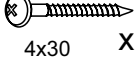
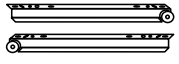
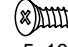
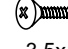


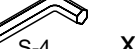
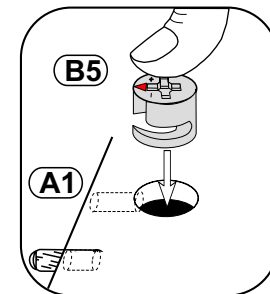
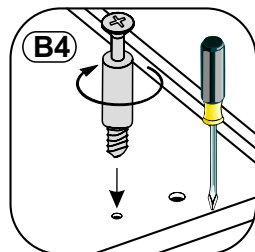
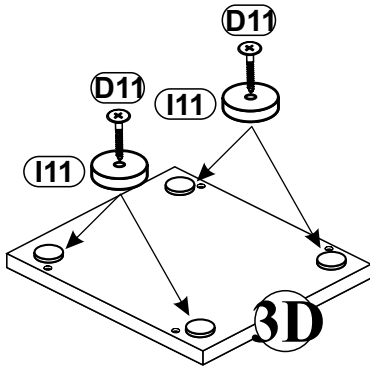
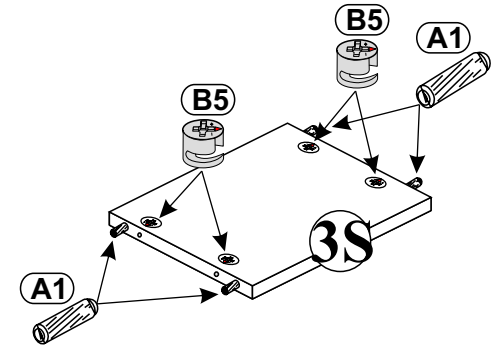
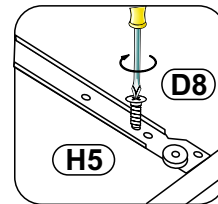
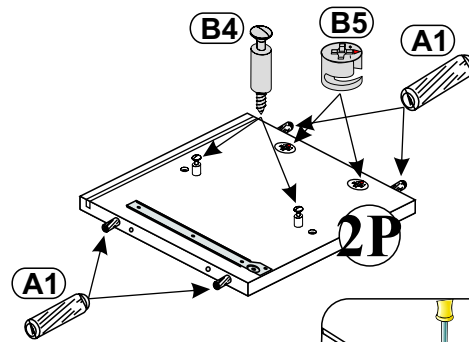
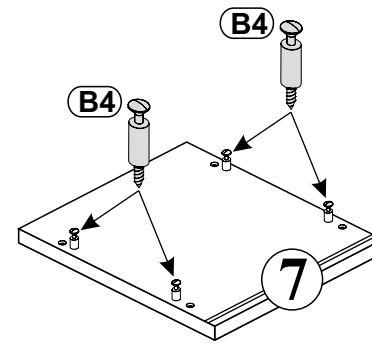
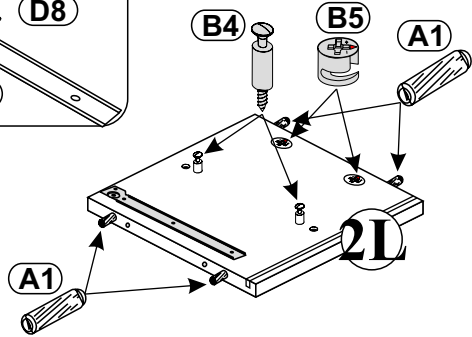
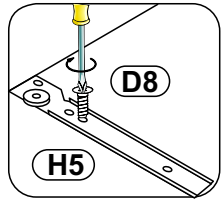
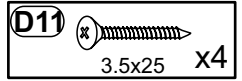
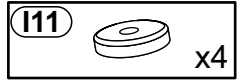
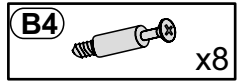
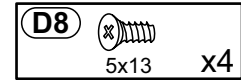
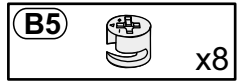
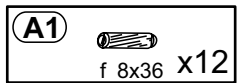
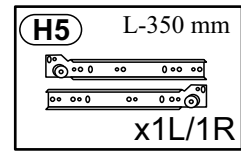


1 2 3 4 5

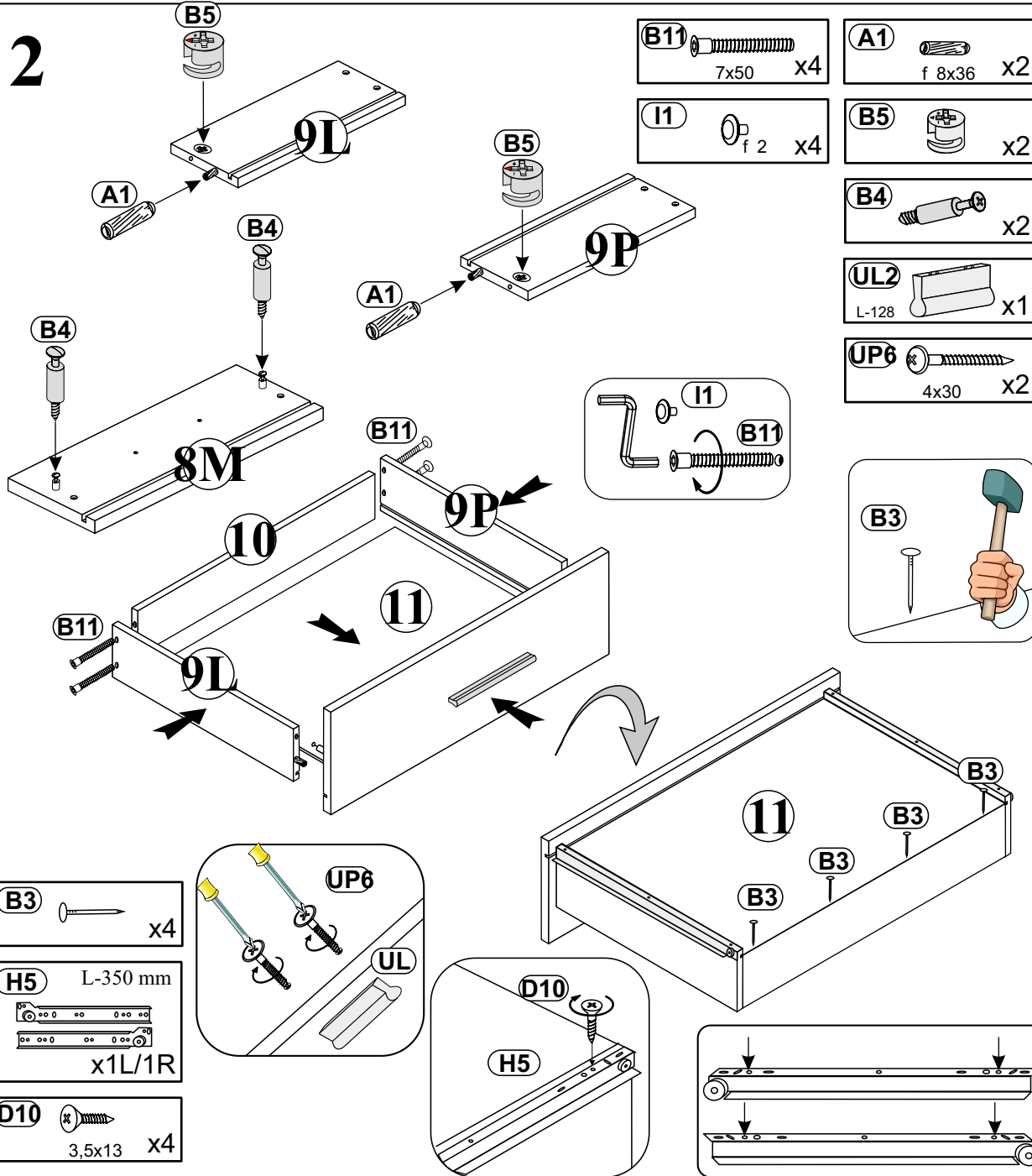


- | | | |
|-----------------------|---|-------------------------|
| UL2
L-128 |  x1 | A1
f 8x36 x14 |
| UP6 |  4x30 x2 | B5
x10 |
| H5
L-350 mm |  x1L/1R | B4
x10 |
| D8 |  5x13 x4 | G5
#15 x10 |
| D10 |  3,5x13 x4 | S1
x4 |
| I11 |  x4 | B11
7x50 x8 |
| G2
S-4 |  x1 | I1
f 2 x8 |
| D11 |  3.5x25 x4 | B3
x4 |

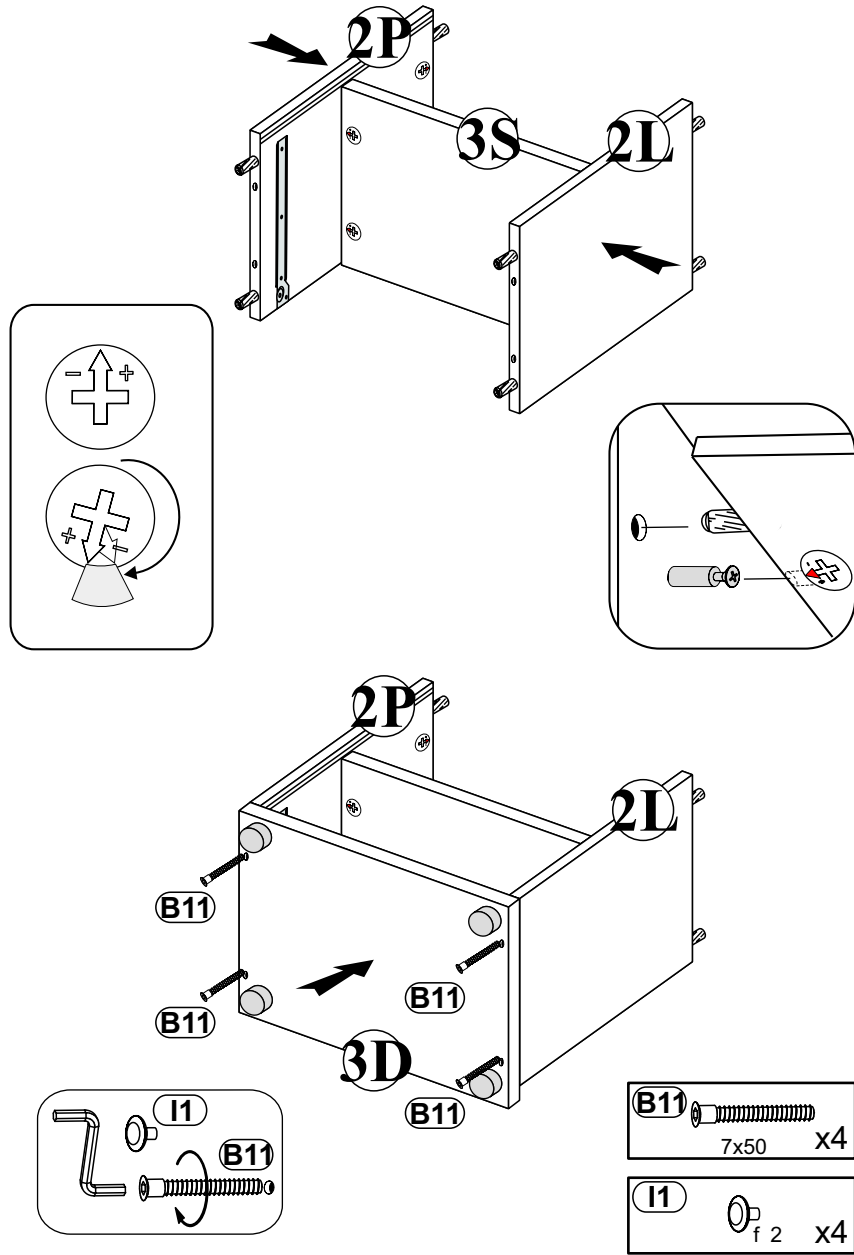
1



2



3



B3 x4

H5 L-350 mm
x1L/1R

D10 x4
3,5x13

B11 7x50 x4

A1 f 8x36 x2

I1 f 2 x4

B5 x2

B4 x2

UL2 L-128 x1

UP6 4x30 x2

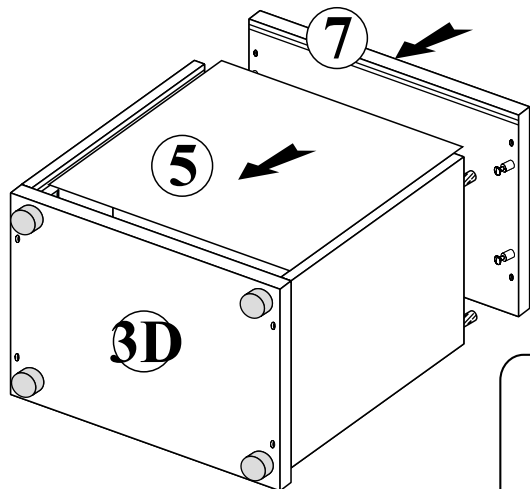
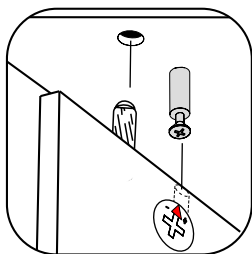
I1 **B11**

B3

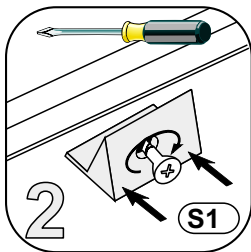
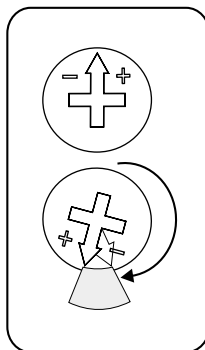
B11 7x50 x4

I1 f 2 x4

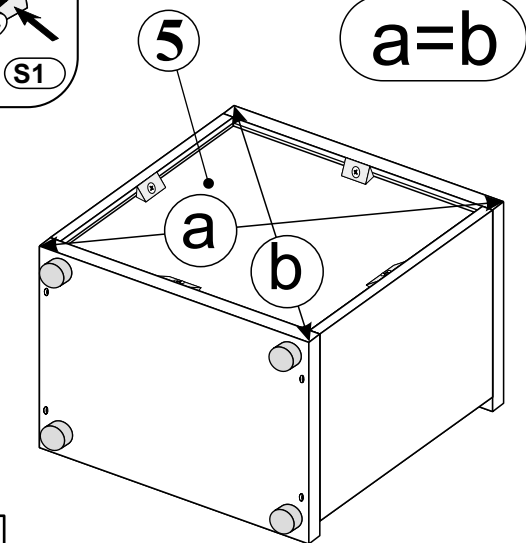
4



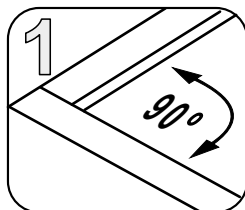
3D



2



a=b



1

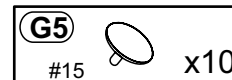
90°



S1

x4

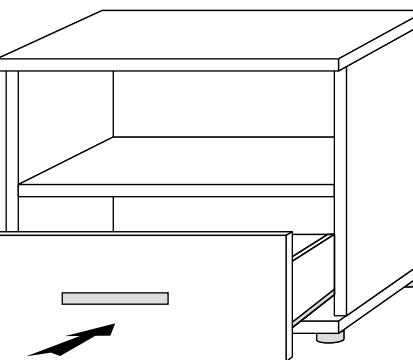
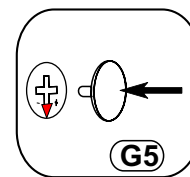
5



G5

#15

x10



8M

