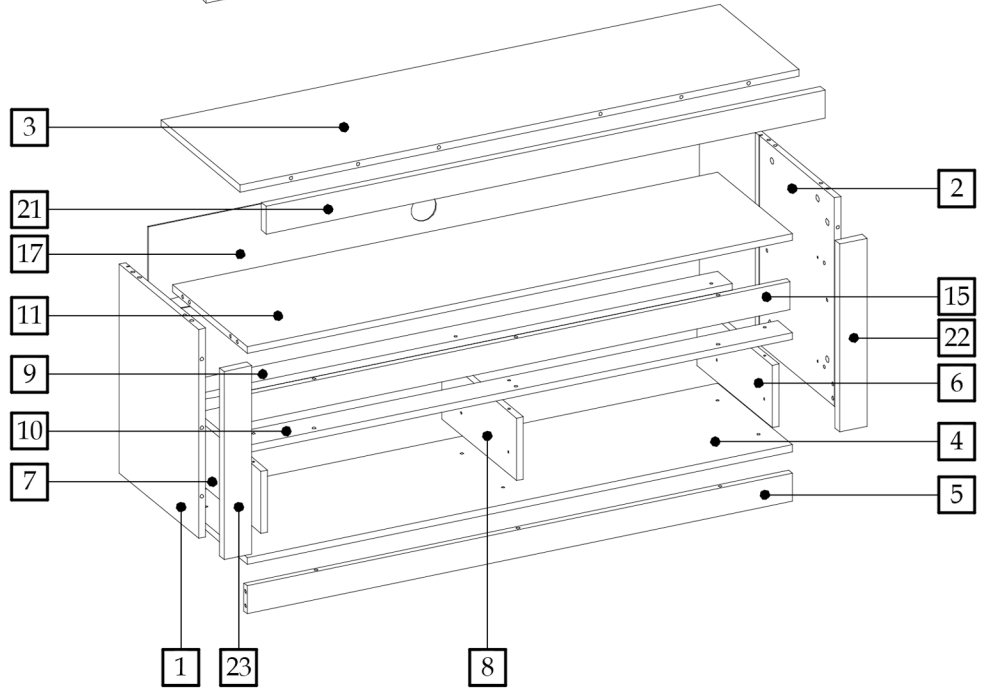
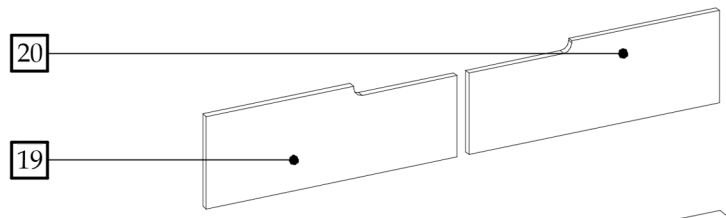
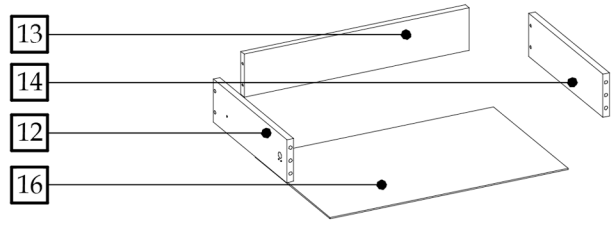
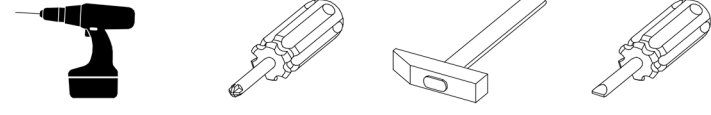
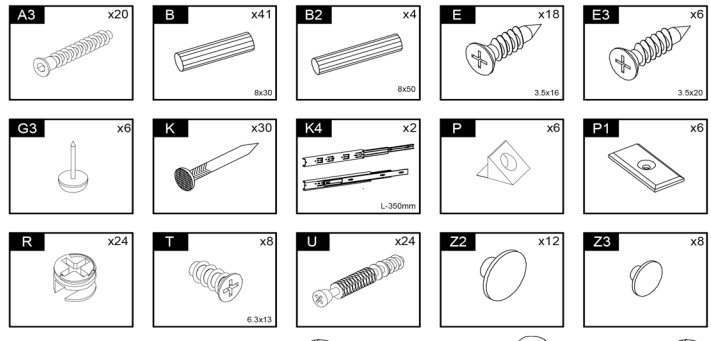
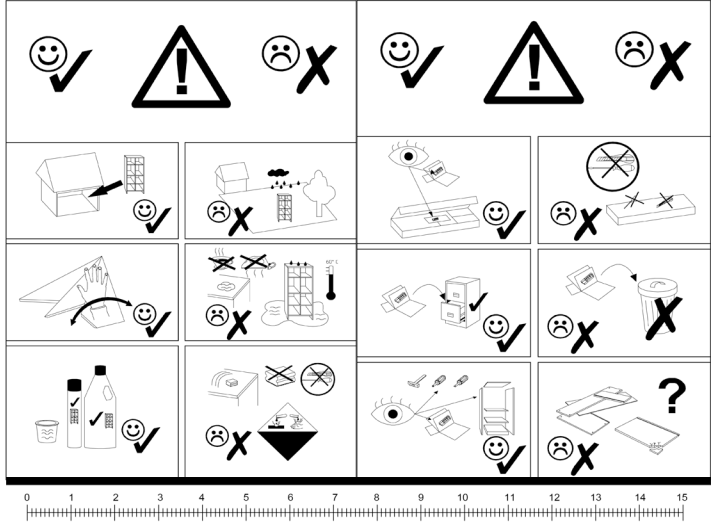
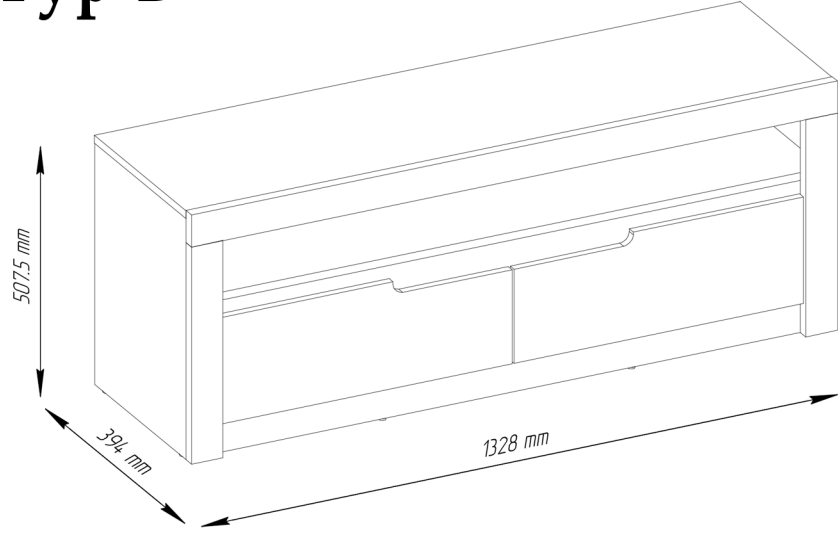
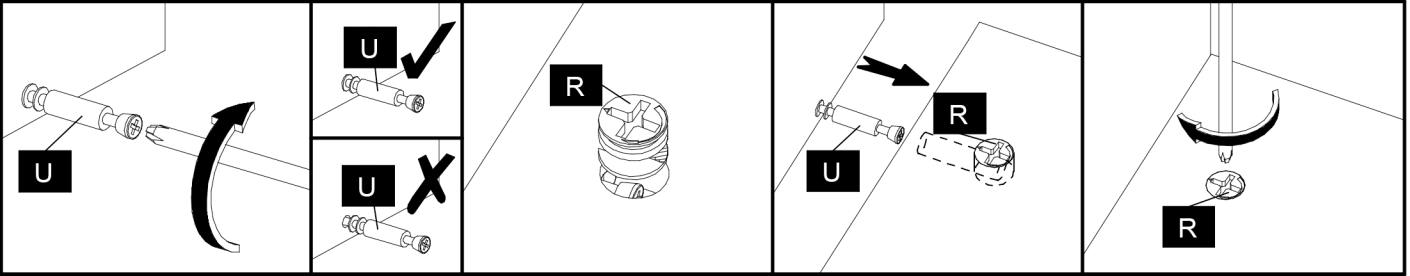


TORONTA B

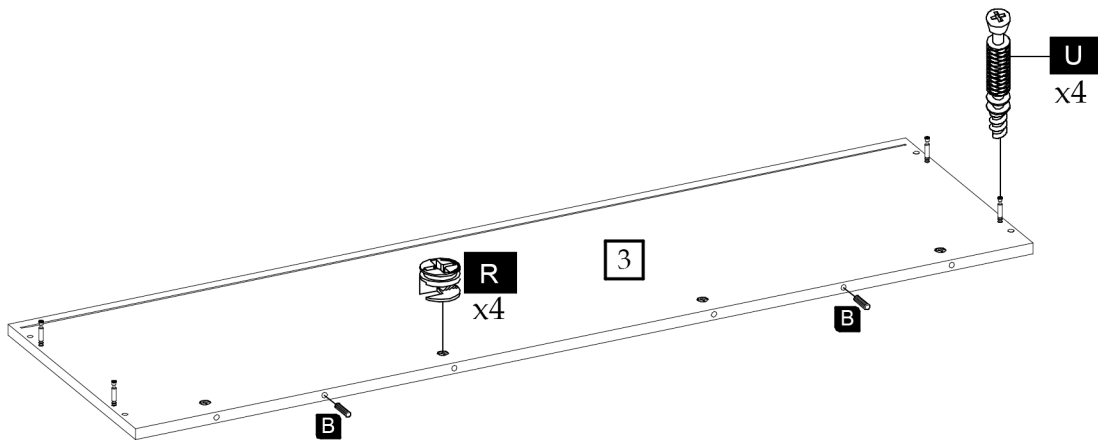
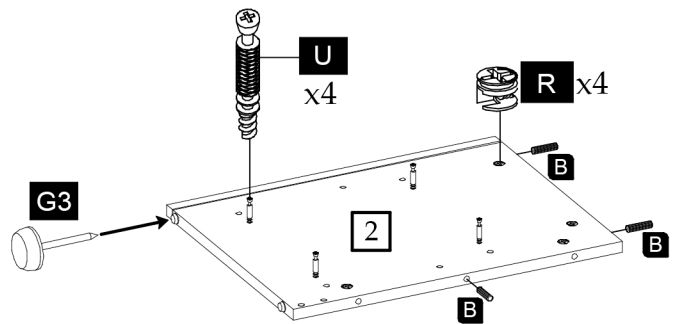
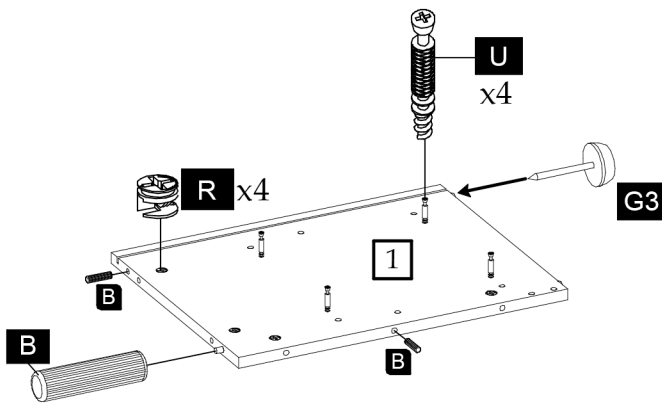
Typ B



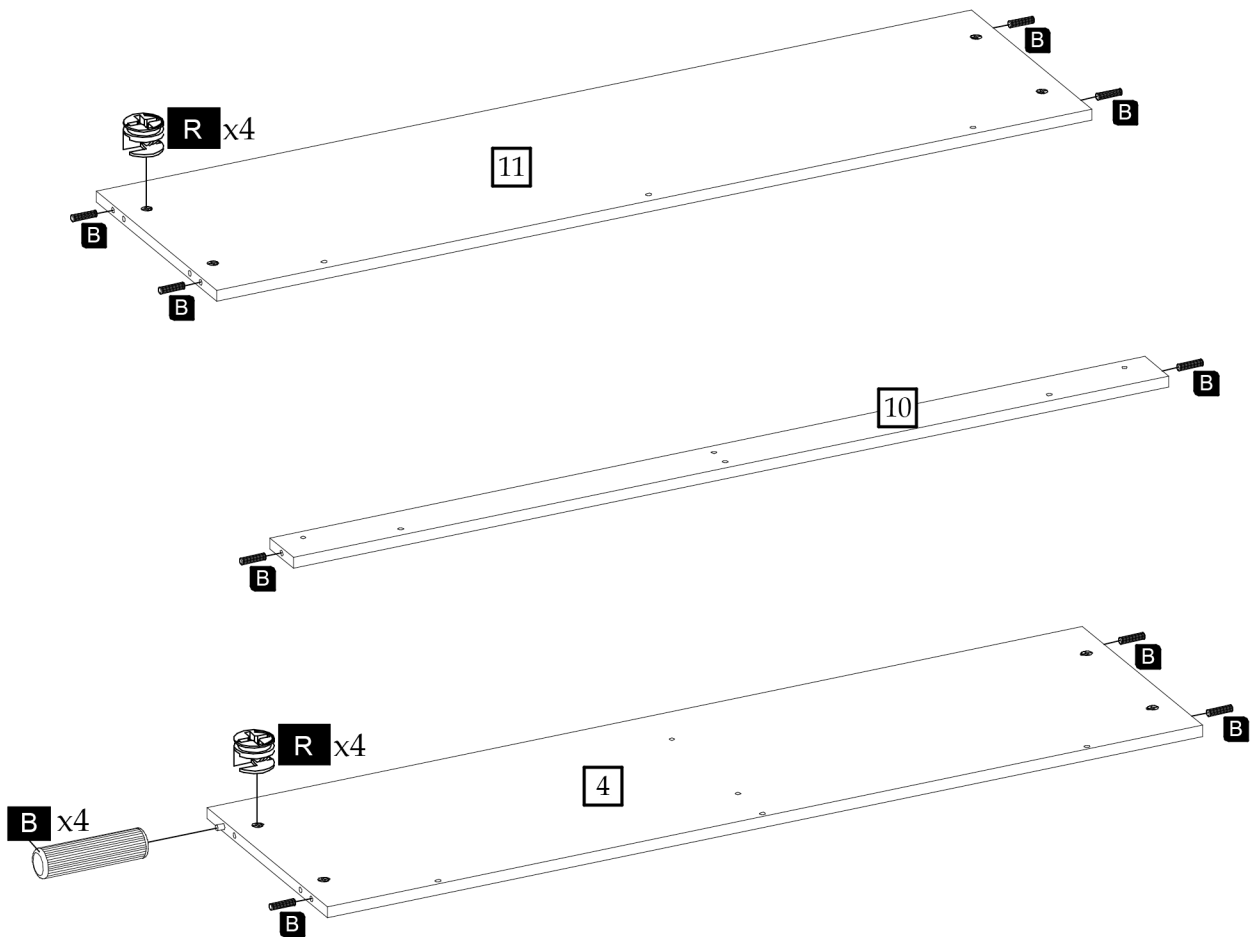
| | | | | | | |
|----|-------|-----|----|---|------|-----|
| 1 | 486.5 | 375 | 16 | 1 | 1002 | 1/1 |
| 2 | 486.5 | 375 | 16 | 1 | 1003 | 1/1 |
| 3 | 1328 | 375 | 16 | 1 | 1004 | 1/1 |
| 4 | 1295 | 355 | 16 | 1 | 1005 | 1/1 |
| 5 | 1295 | 65 | 16 | 1 | 1007 | 1/1 |
| 6 | 145 | 355 | 16 | 1 | 1045 | 1/1 |
| 7 | 145 | 355 | 16 | 1 | 1046 | 1/1 |
| 8 | 145 | 355 | 16 | 1 | 1047 | 1/1 |
| 9 | 1295 | 70 | 16 | 1 | 1058 | 1/1 |
| 10 | 1295 | 70 | 16 | 1 | 1059 | 1/1 |
| 11 | 1295 | 355 | 16 | 1 | 1038 | 1/1 |
| 12 | 350 | 100 | 16 | 2 | 1049 | 1/1 |
| 13 | 534 | 100 | 16 | 2 | 1050 | 1/1 |
| 14 | 350 | 100 | 16 | 2 | 1051 | 1/1 |
| 15 | 1295 | 65 | 16 | 1 | 1001 | 1/1 |
| 16 | 566 | 355 | 3 | 2 | N/A | 1/1 |
| 17 | 1309 | 178 | 3 | 1 | 1006 | 1/1 |
| 18 | 1309 | 250 | 3 | 1 | N/A | 1/1 |
| 19 | 597 | 217 | 16 | 1 | 3048 | 1/1 |
| 20 | 597 | 217 | 16 | 1 | 3053 | 1/1 |
| 21 | 1328 | 65 | 19 | 1 | 4004 | 1/1 |
| 22 | 438 | 65 | 19 | 1 | 4005 | 1/1 |
| 23 | 438 | 65 | 19 | 1 | 4006 | 1/1 |



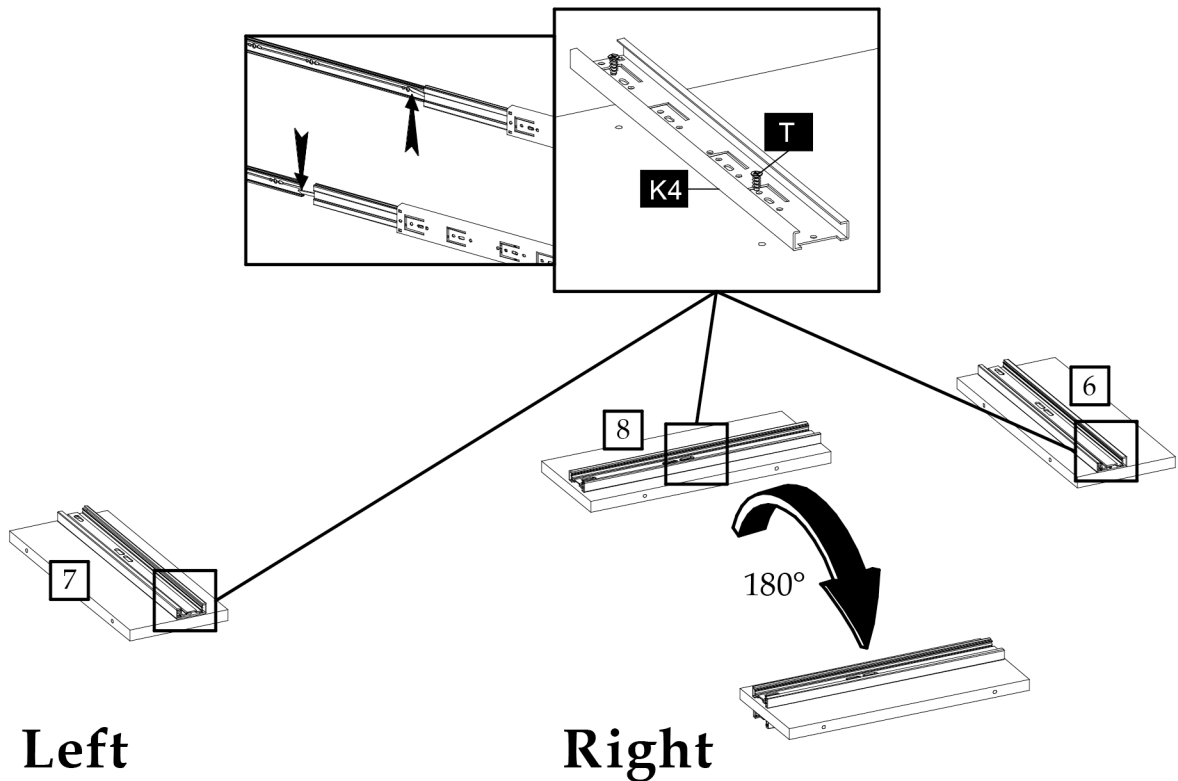
1



2

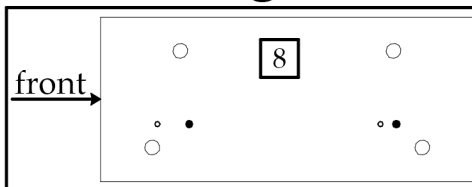
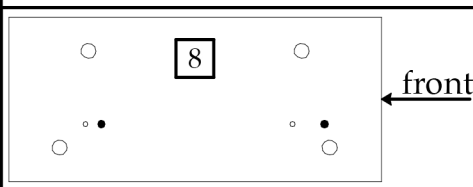


3

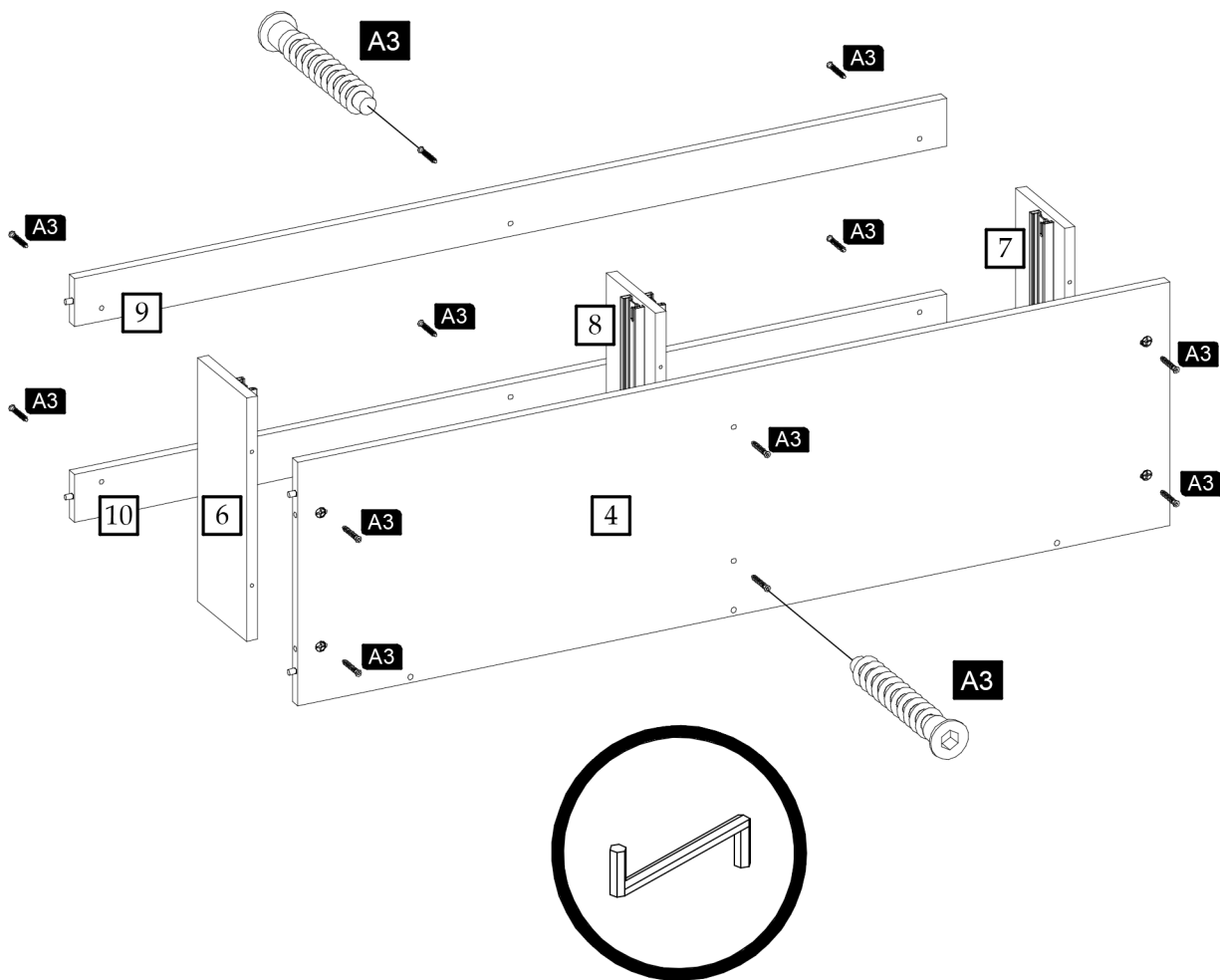


Left

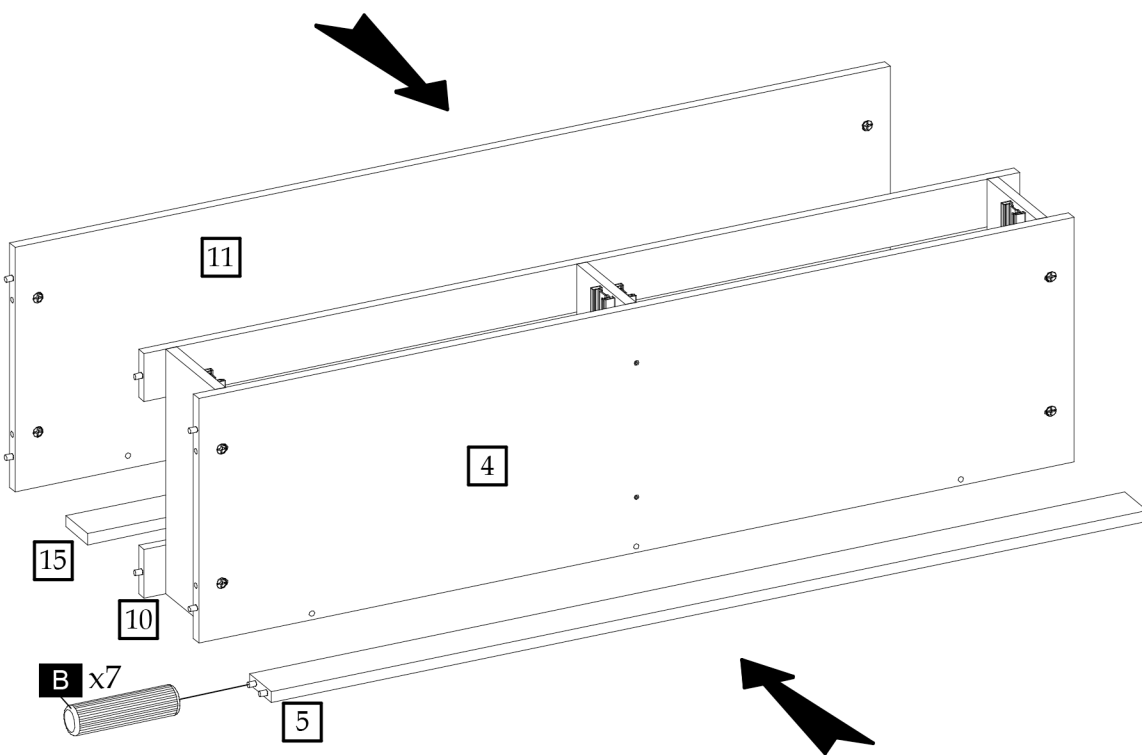
Right



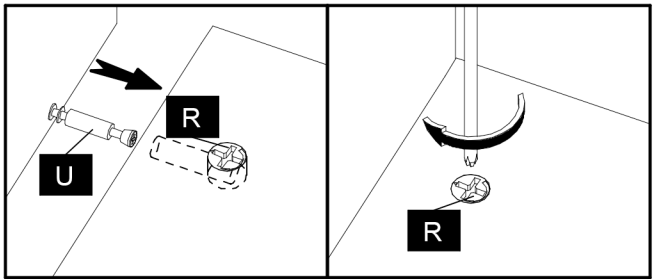
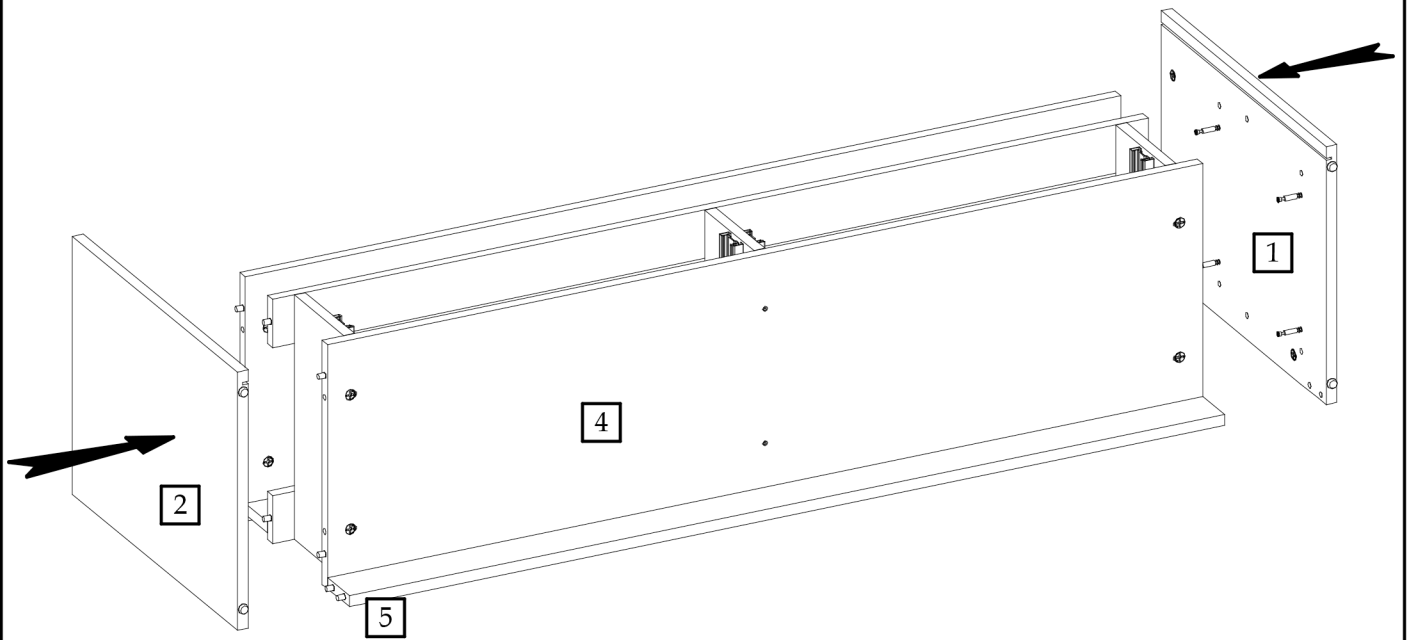
4



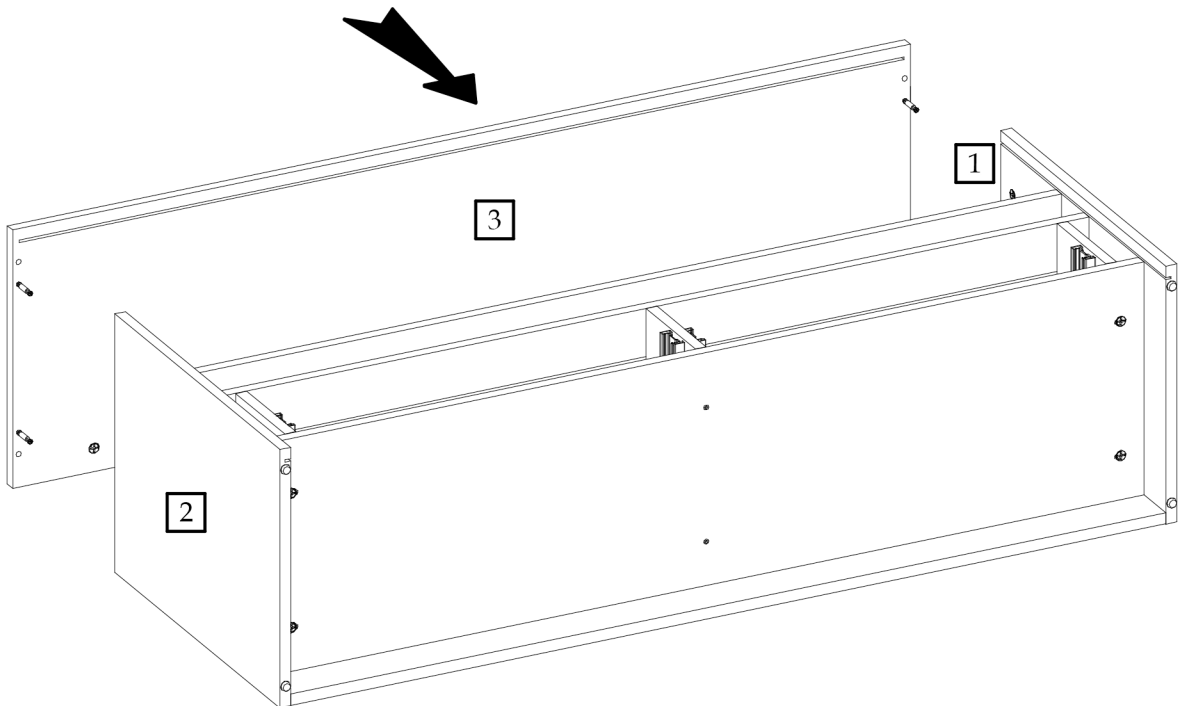
5



6

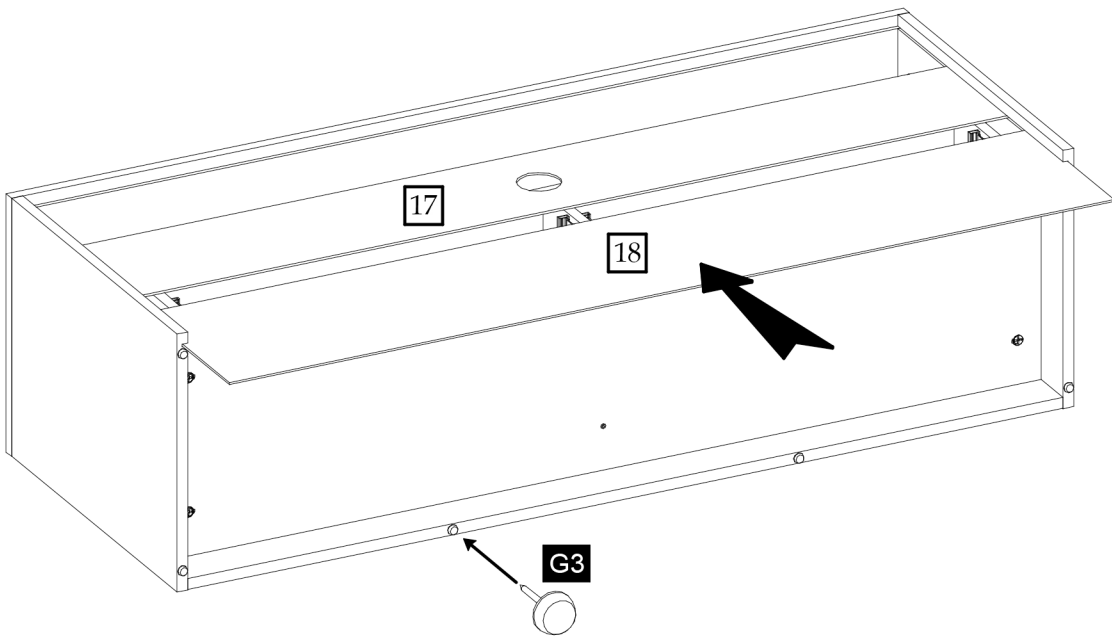


7

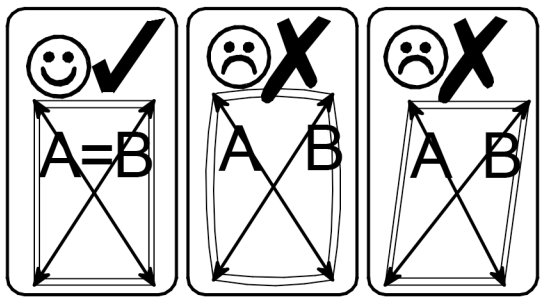
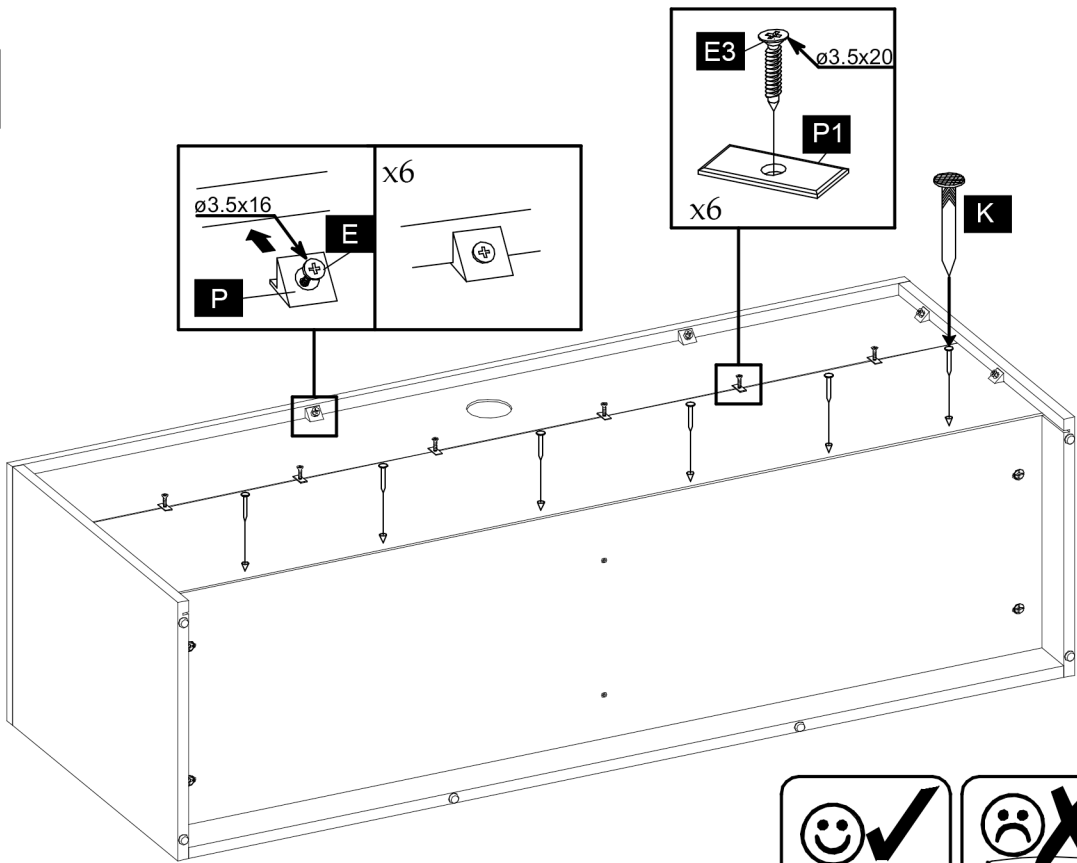


8

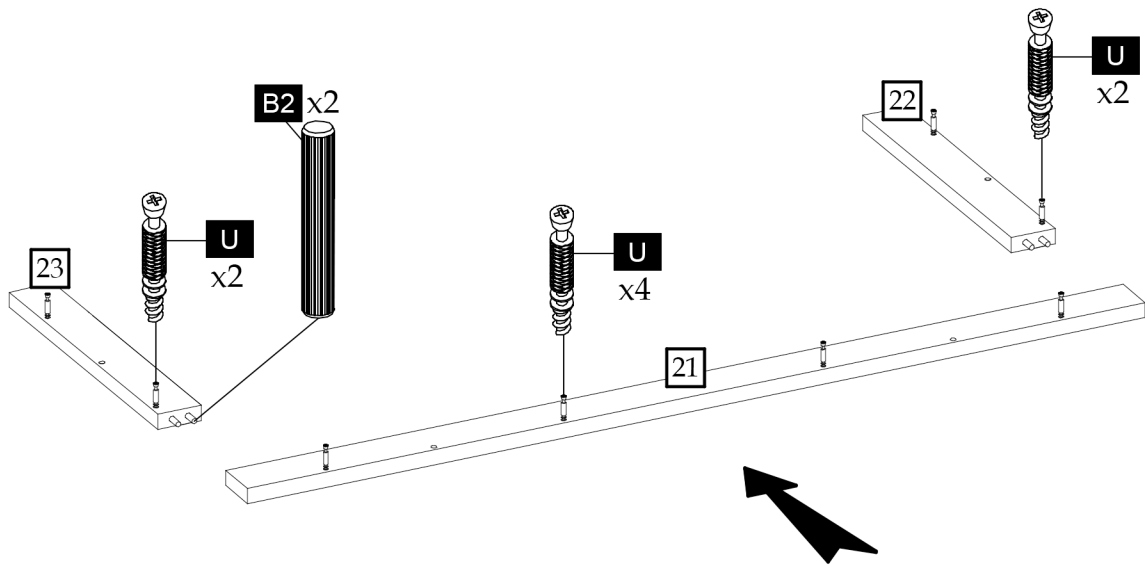
8



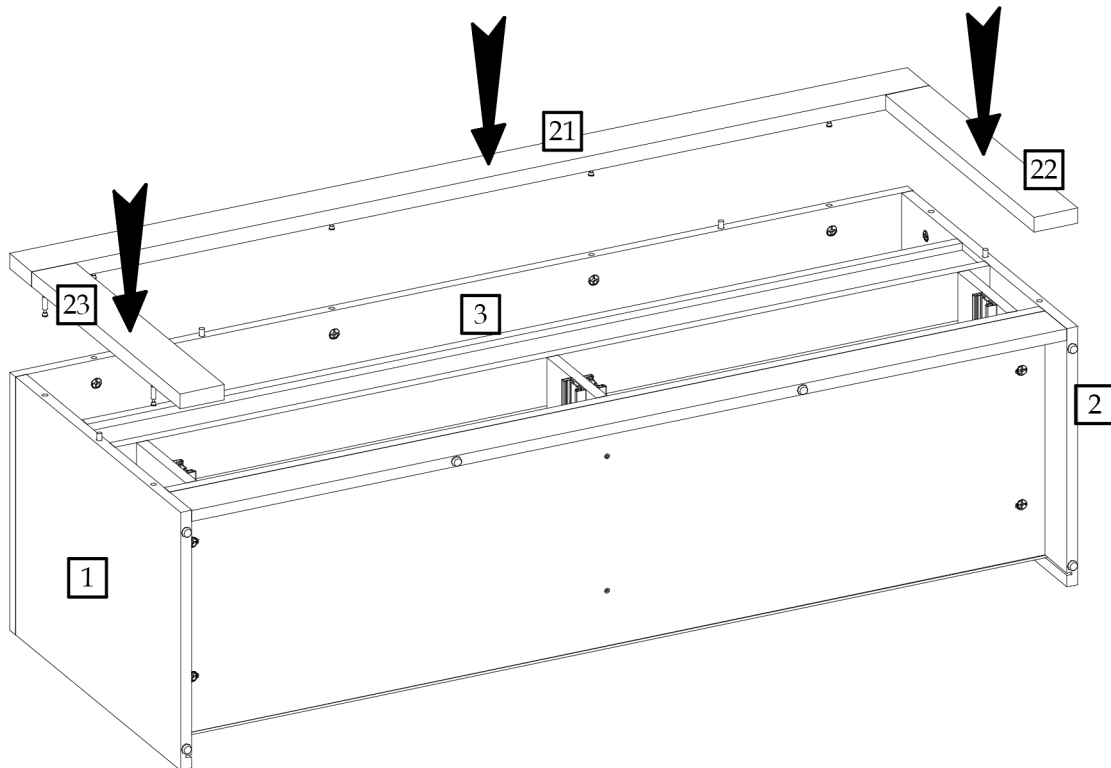
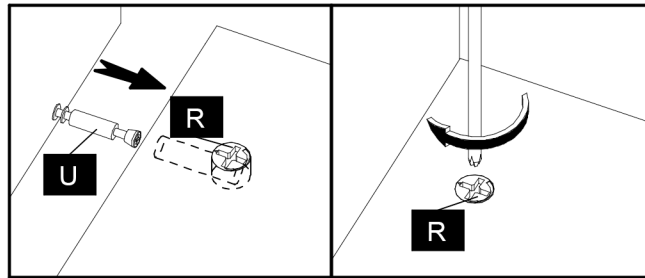
9

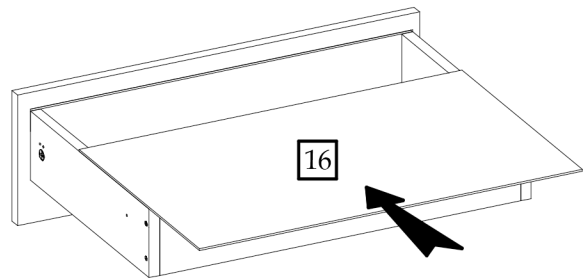
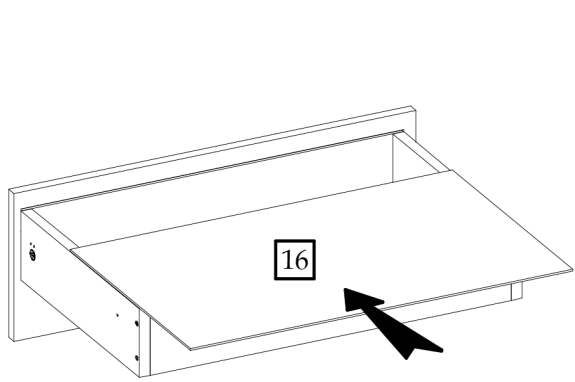
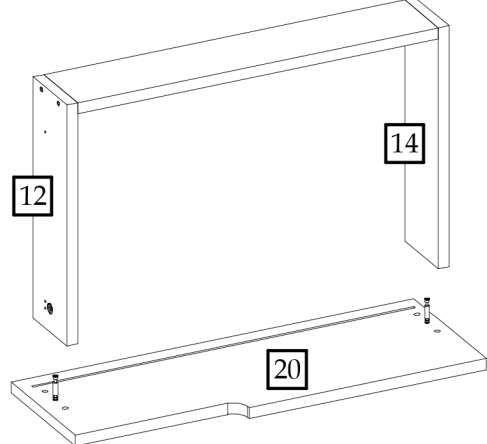
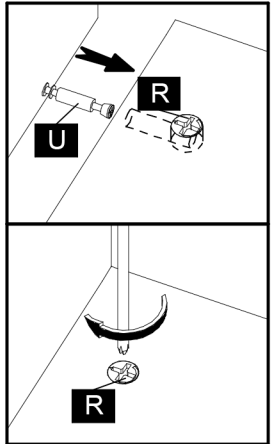
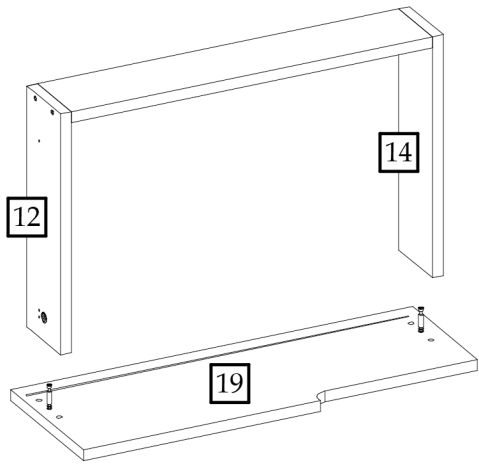
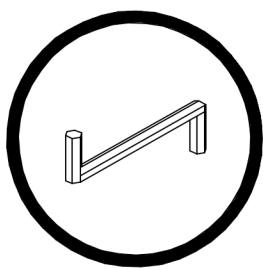
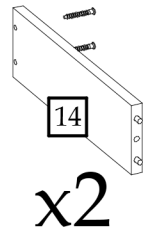
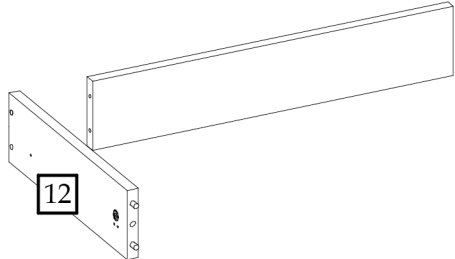
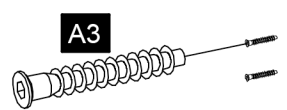
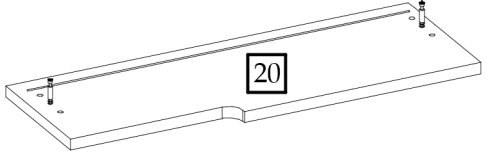
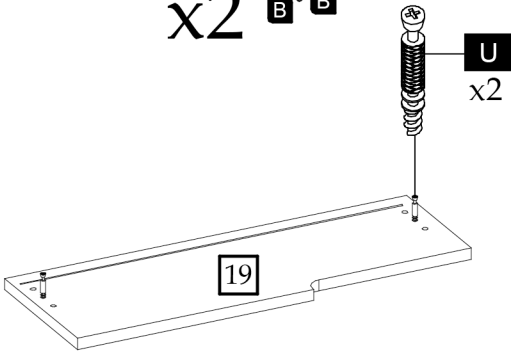
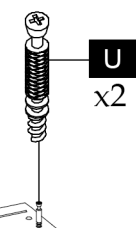
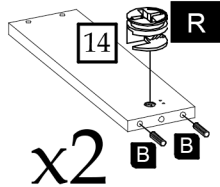
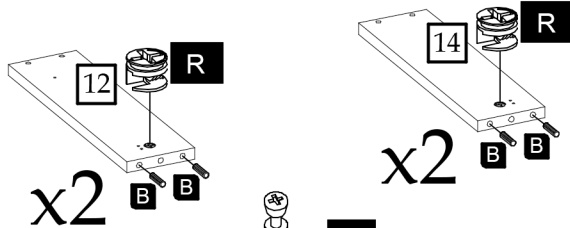


10

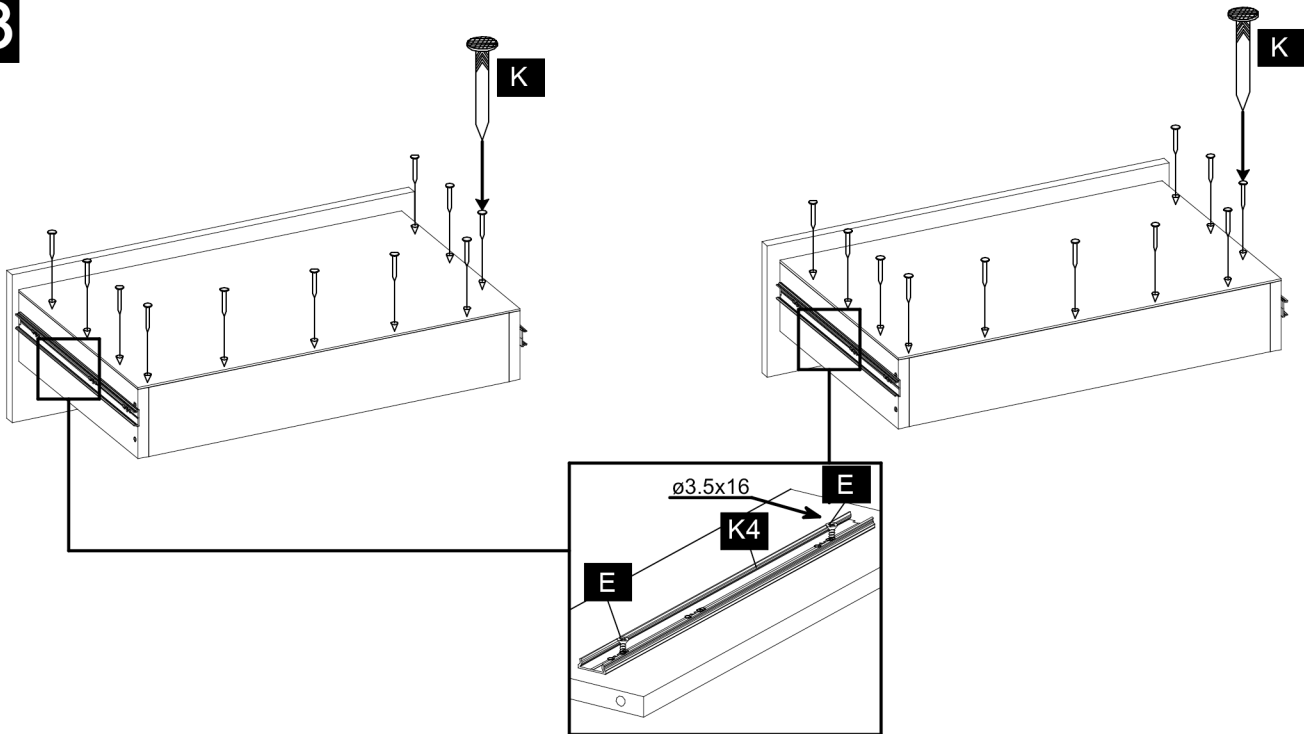


11





13



14

