

LOFTA

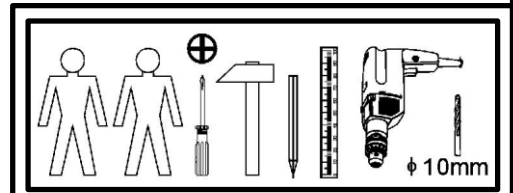
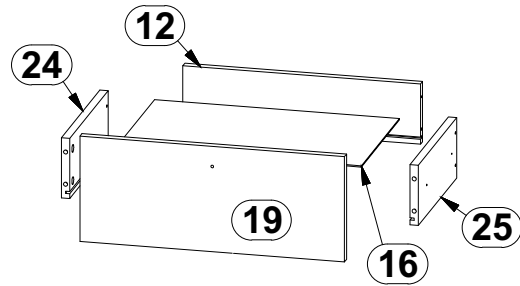
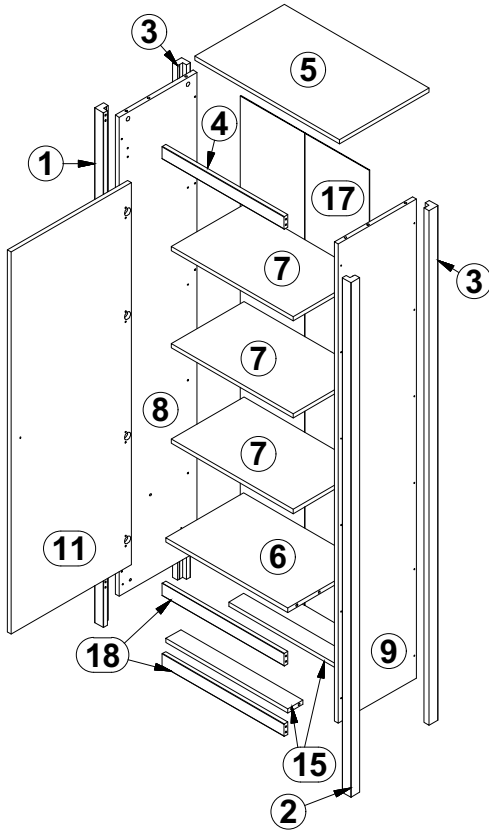
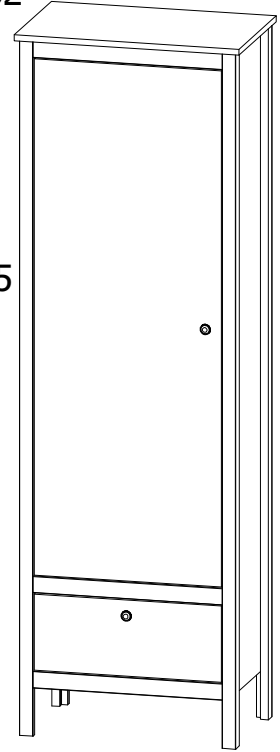
B156-REG1D1S

A	B	C			D	E
1	B156-1513	1904	38	38	1	2½
2	B156-1514	1904	38	38	1	2½
3	B156-1515	1904	38	38	2	2½
4	B156-1512	521	46	16	1	1½
5	B156-202	618	382	16	1	1½
6	B156-303	521	333	16	1	1½
7	B156-304	520	310	16	3	1½
8	B156-106	1773	333	16	1	2½
9	B156-107	1773	333	16	1	2½
19	B156-004	515	209	16	1	2½
11	B156-006	1414	515	16	1	2½
12	B156-504	463	120	12,16,18	1	1½
24	B156-501	300	120	16	1	1½
25	B156-502	300	120	16	1	1½
15	B156-403	521	64	16	2	1½
16	B156-904	477	298	2,5	1	1½
17	B156-906	1747	551	2,5	1	2½
18	B156-1516	521	46	16	2	1½
-					1	1½



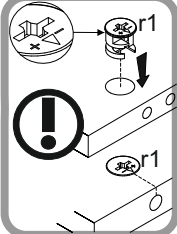
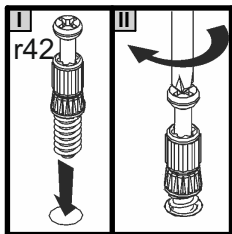
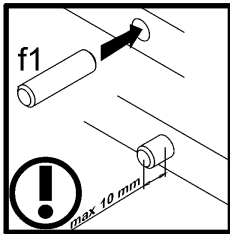
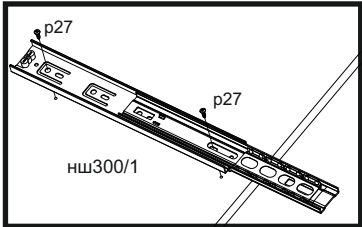
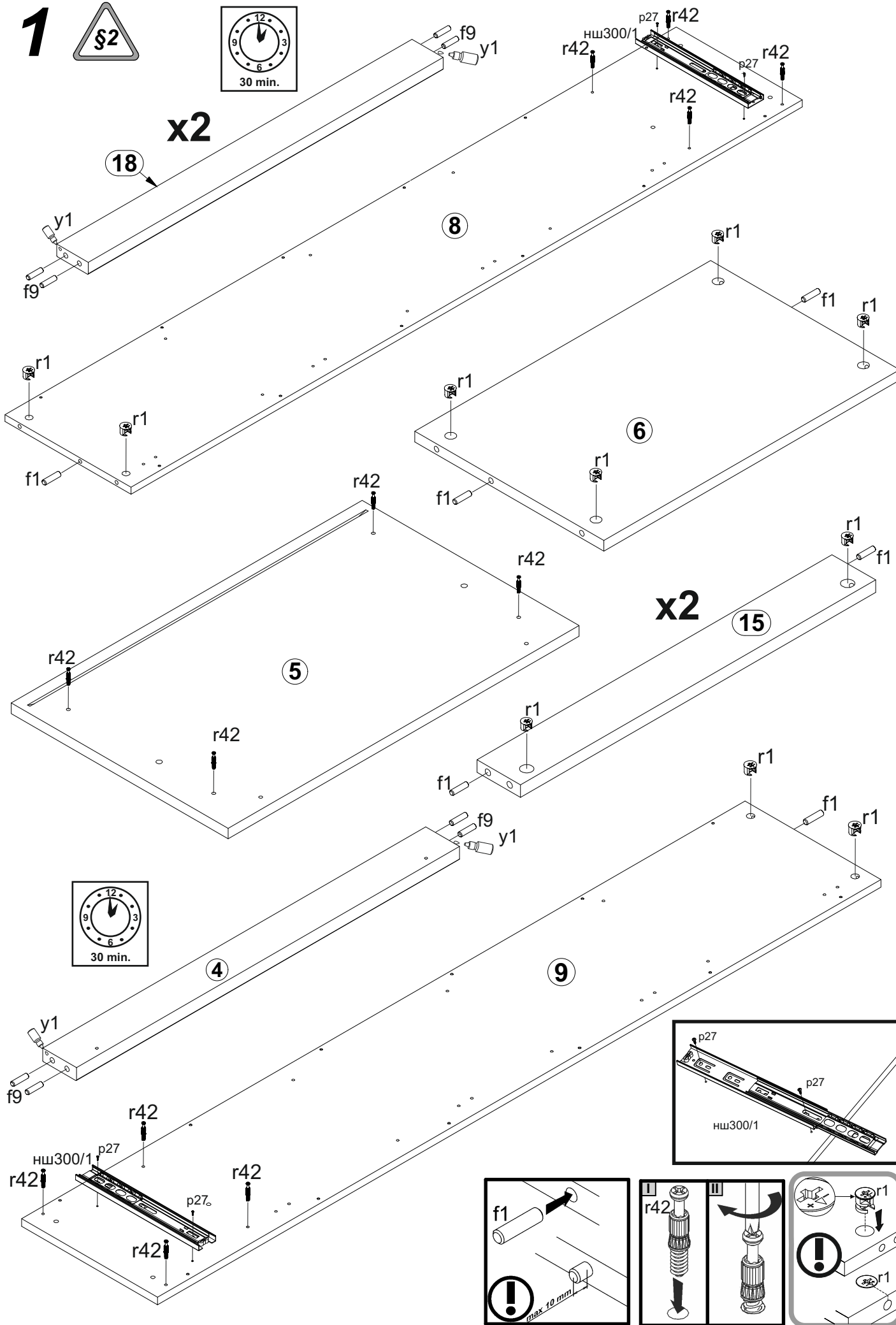
382 618

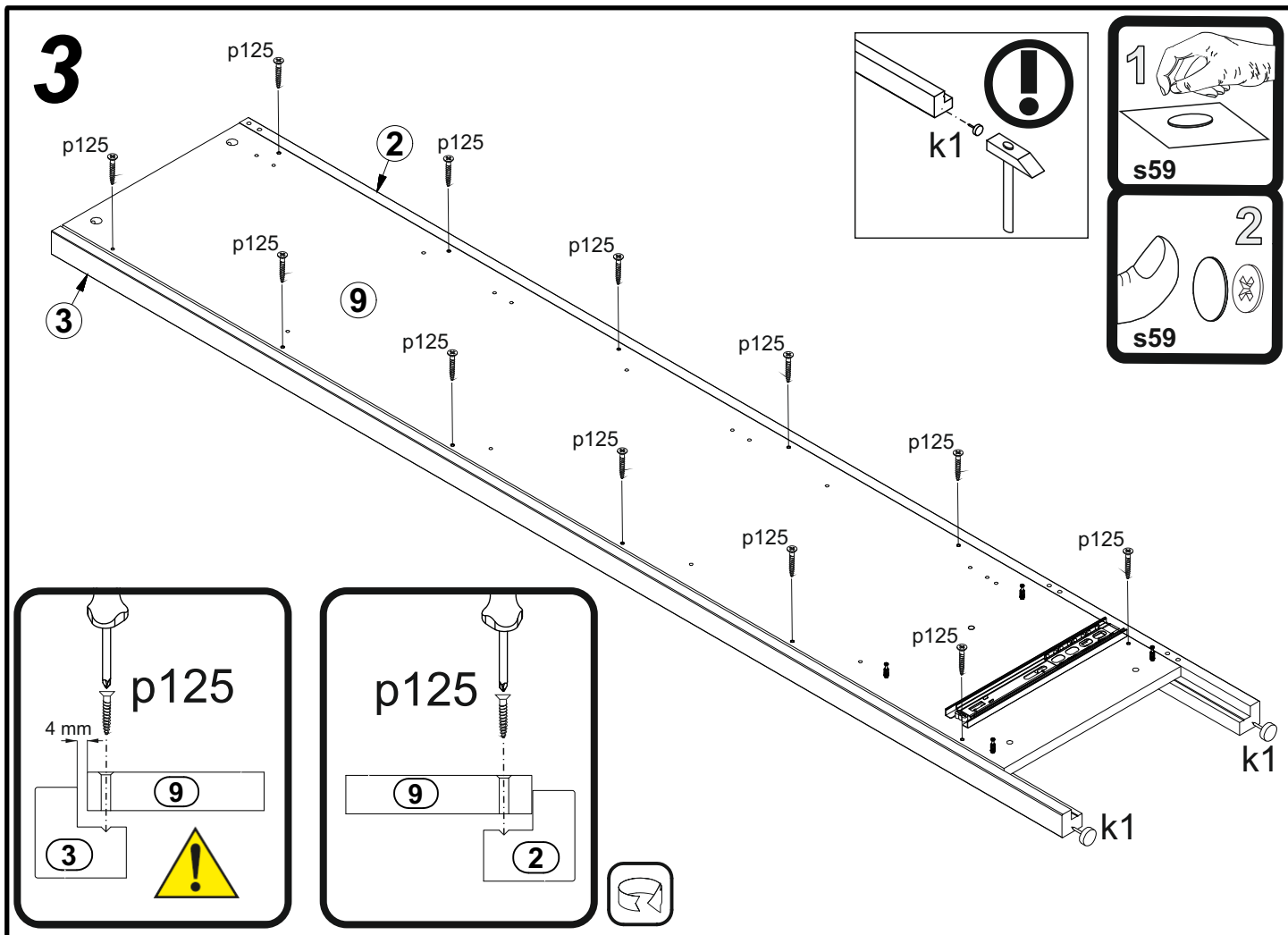
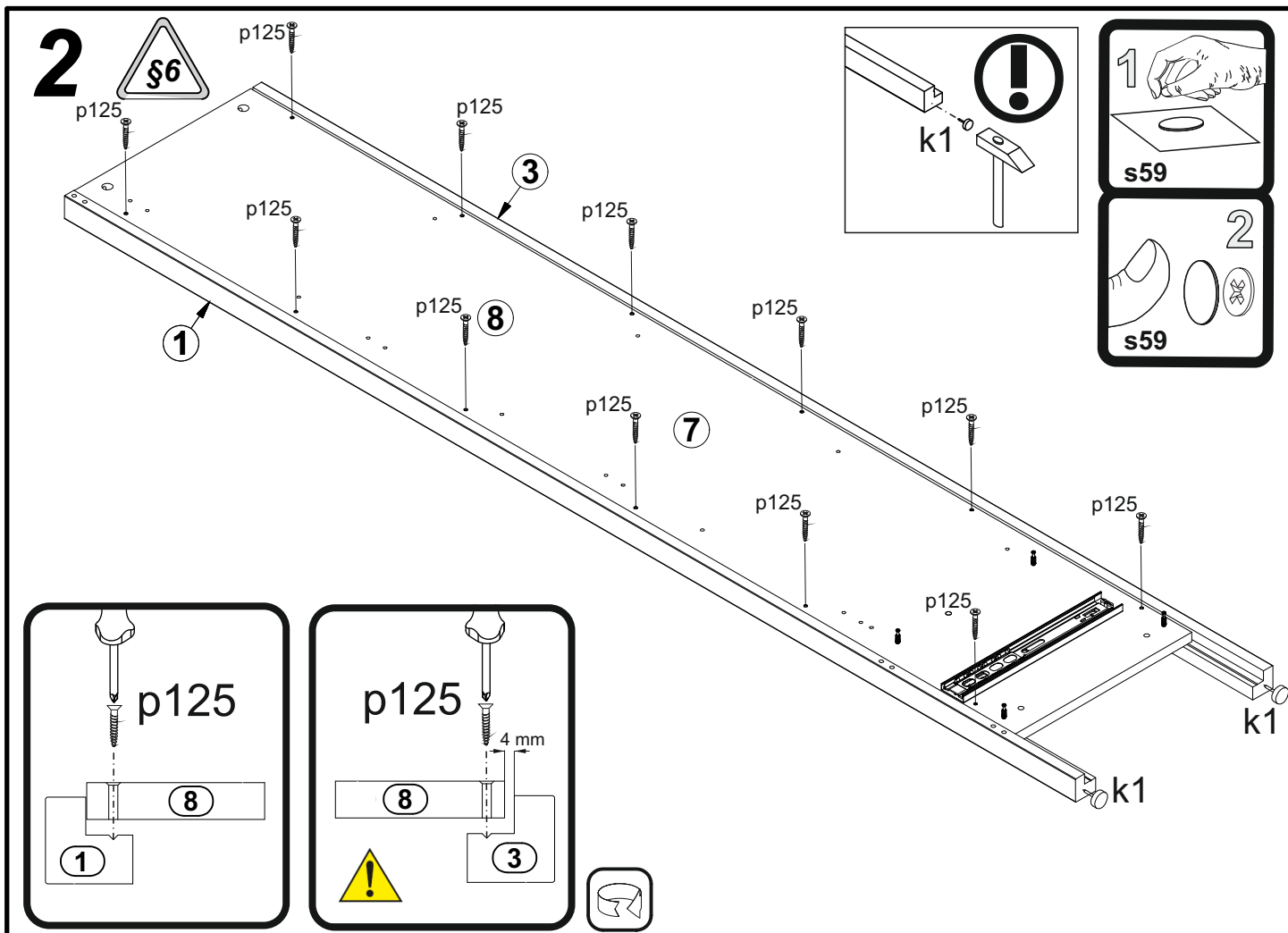
1925



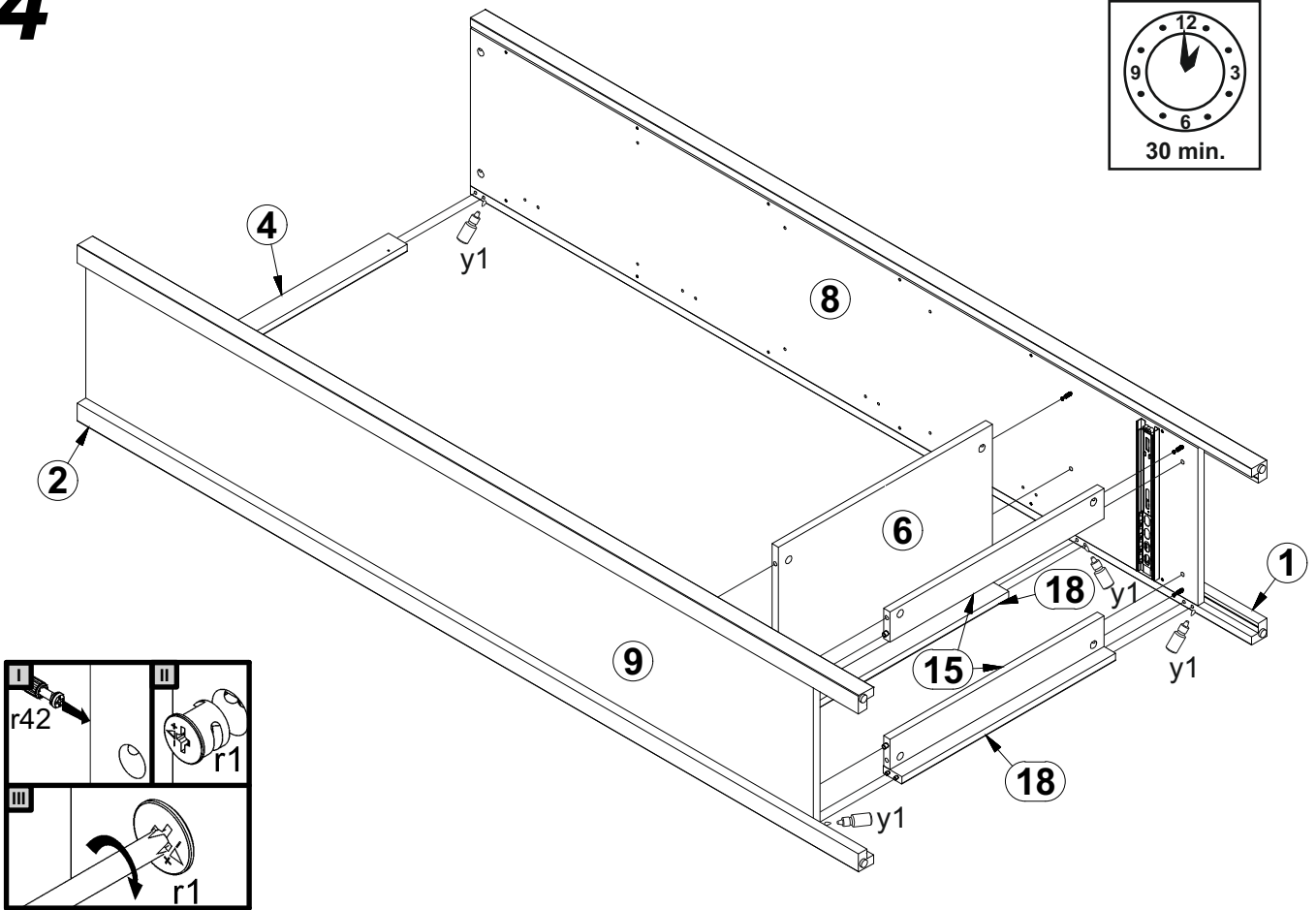
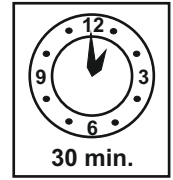
4x a1	4x b1	2x c257	12x x17 mm d1	8x x30 mm f1	12x x30 mm f9	1x x50 mm f35
2x M4x20 mm j1	4x k1	8x l1	12x l2	1x n26	1x 29x13x5/1,5 mm n114	4x x40 mm p10
1x x60 mm p17	8x x13 mm p27	1x x16 mm p38	1x 3x12 mm p54	24x x30 mm p125	16x x12mm r1	16x 20/11 r42
8x 16 s2	8x 5 s4	1x silikon s50	24x s59	1x QUUB y1	2x HШ300/1	2x HШ300/2

1

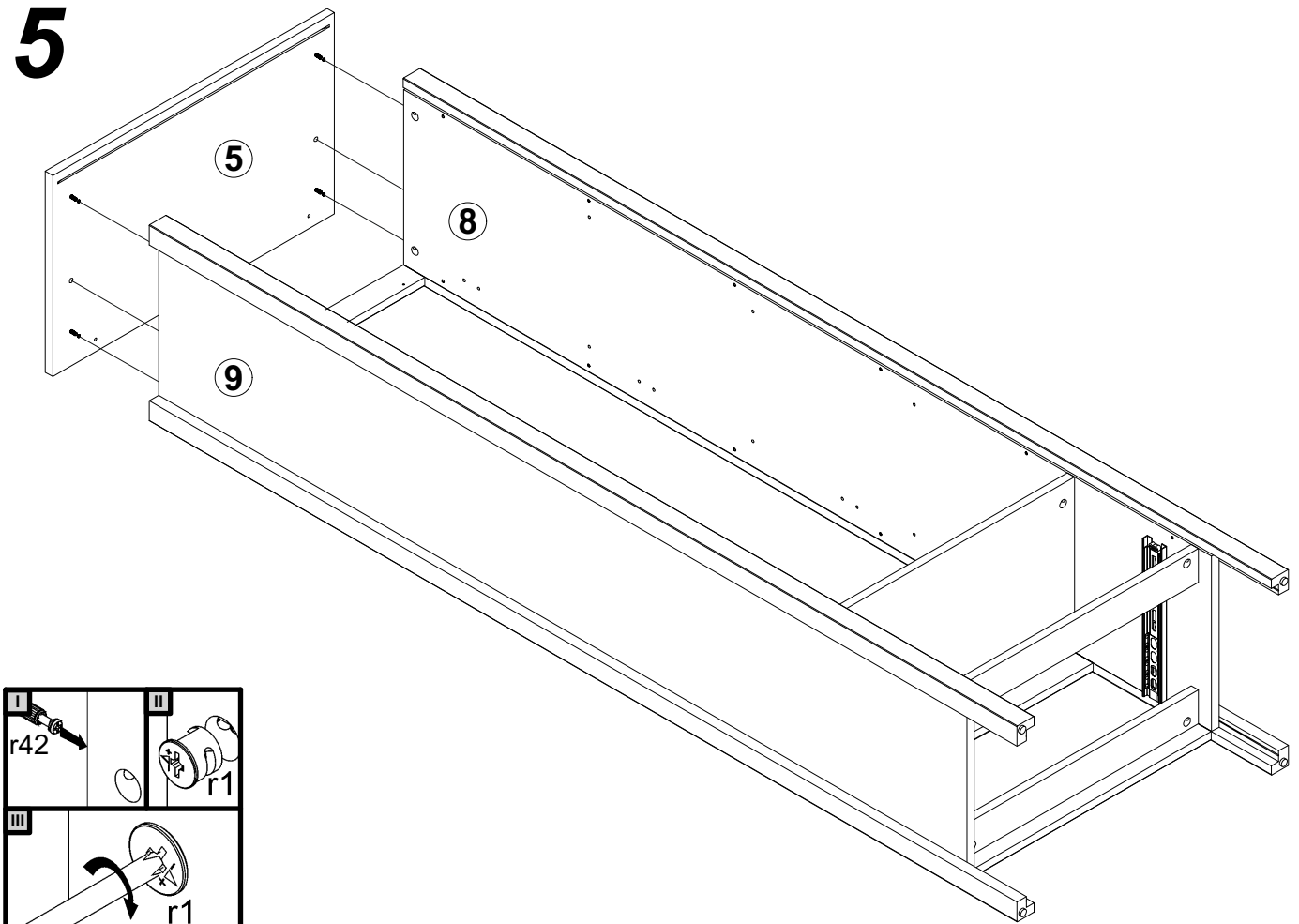




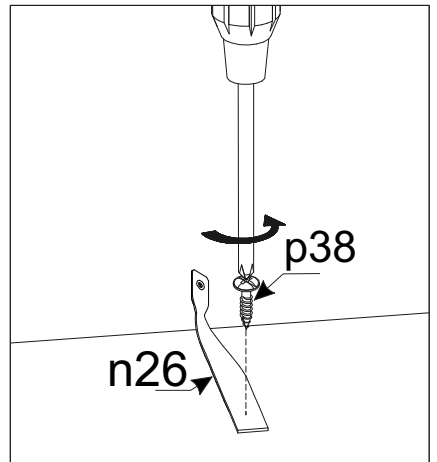
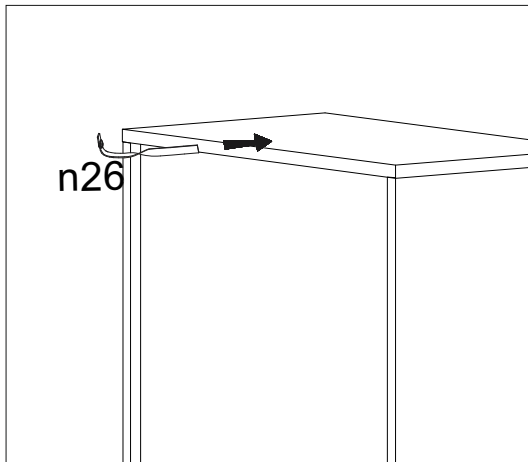
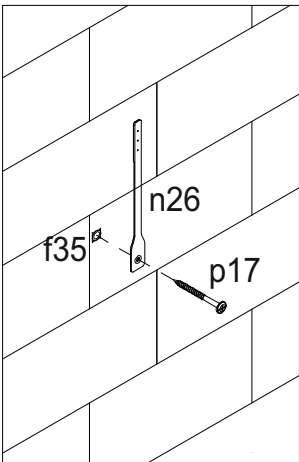
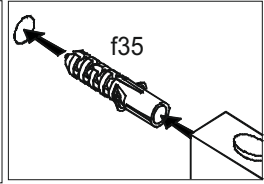
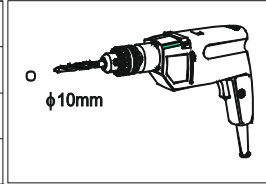
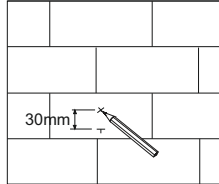
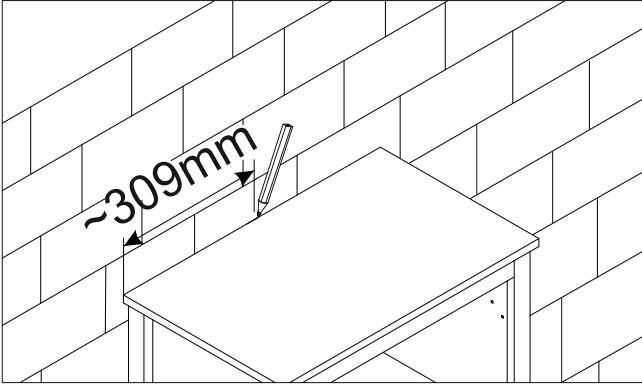
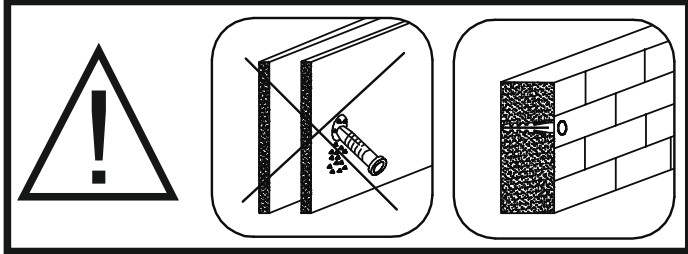
4



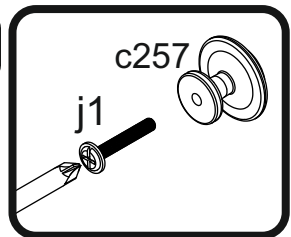
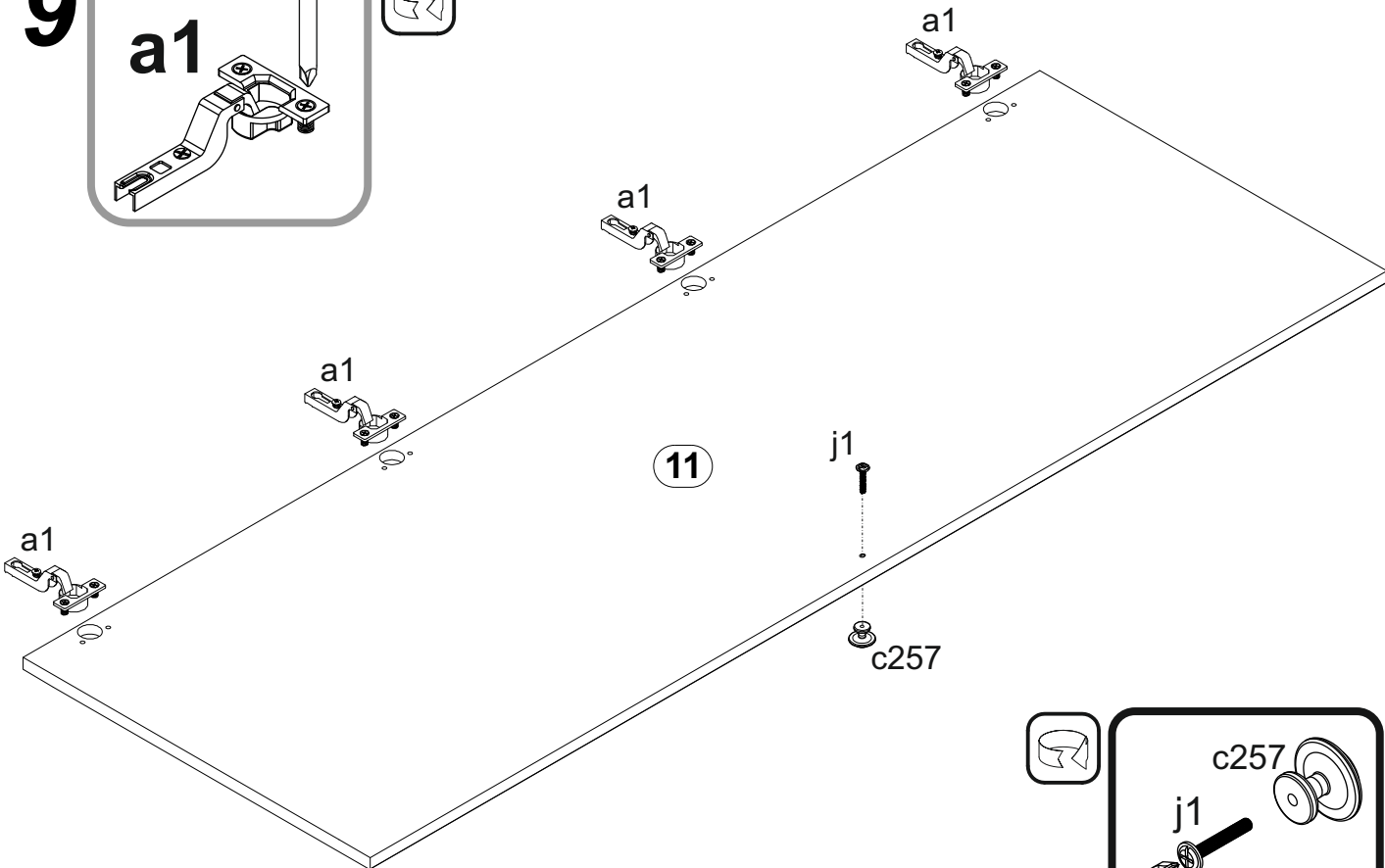
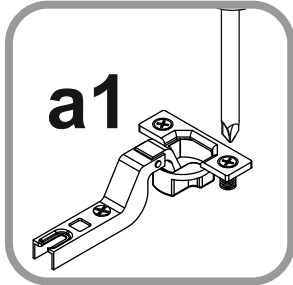
5



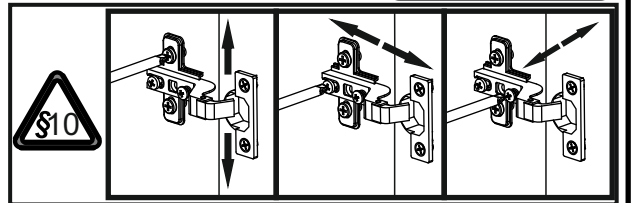
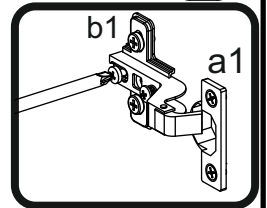
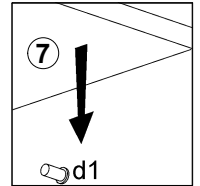
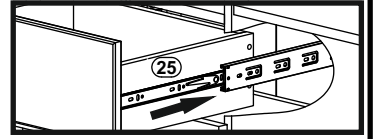
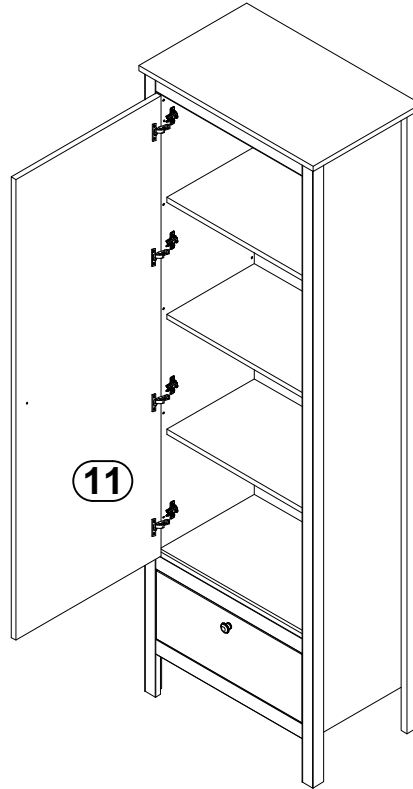
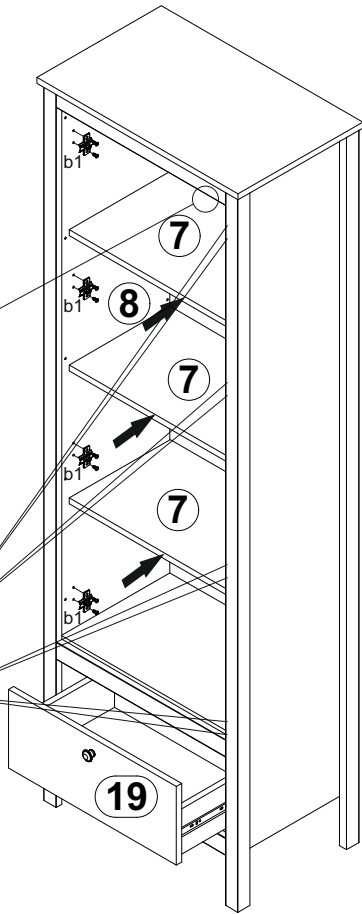
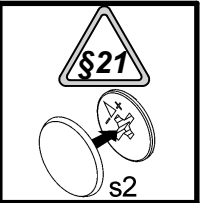
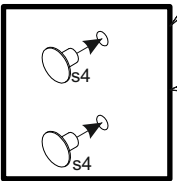
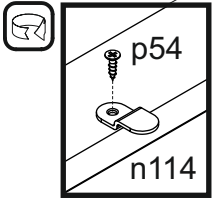
8



9



10L



10R

