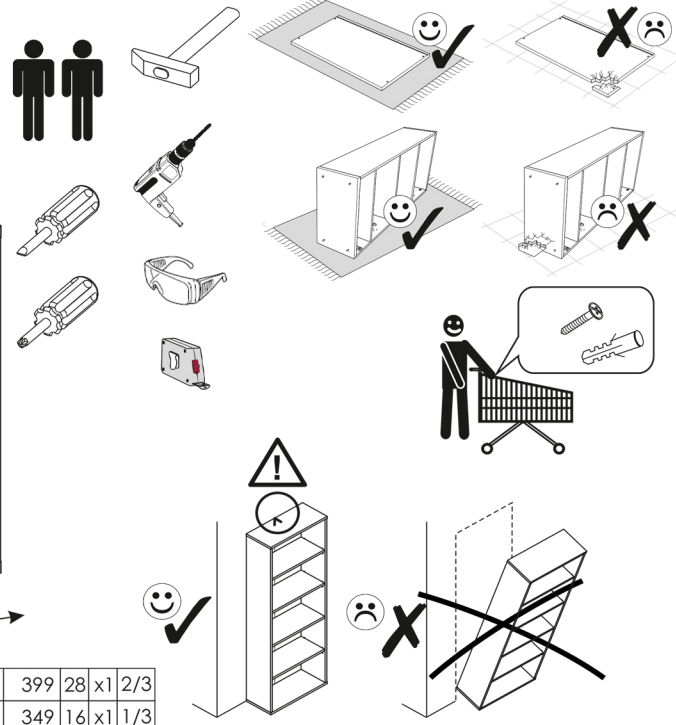
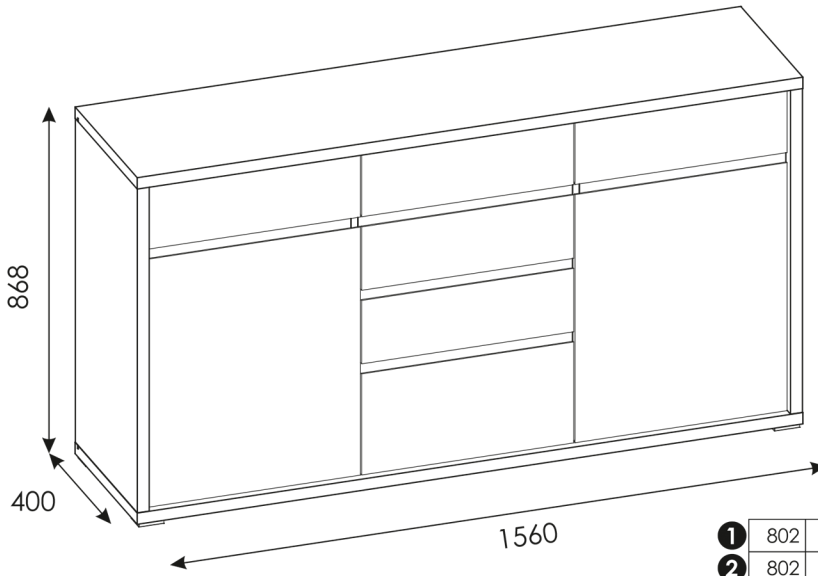
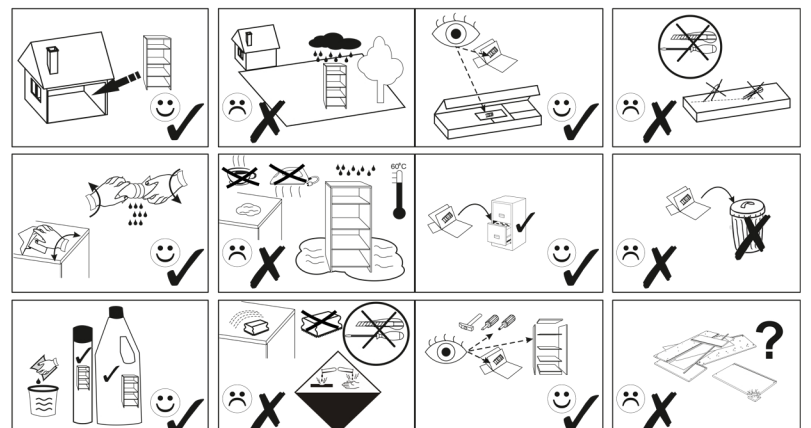
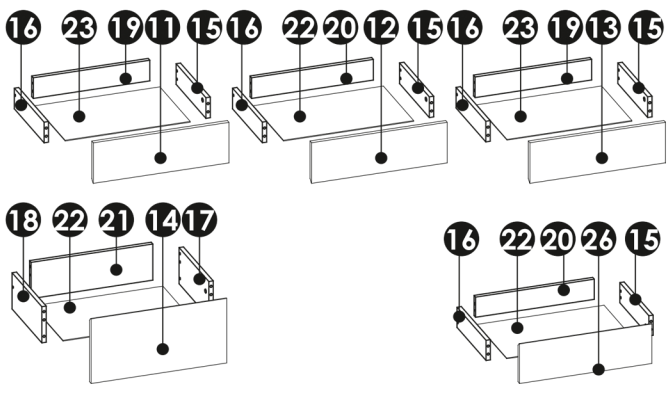
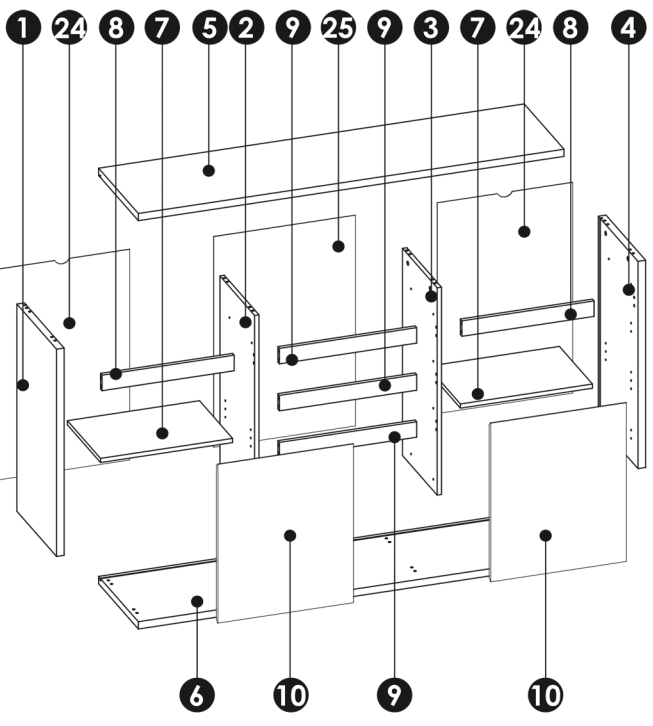


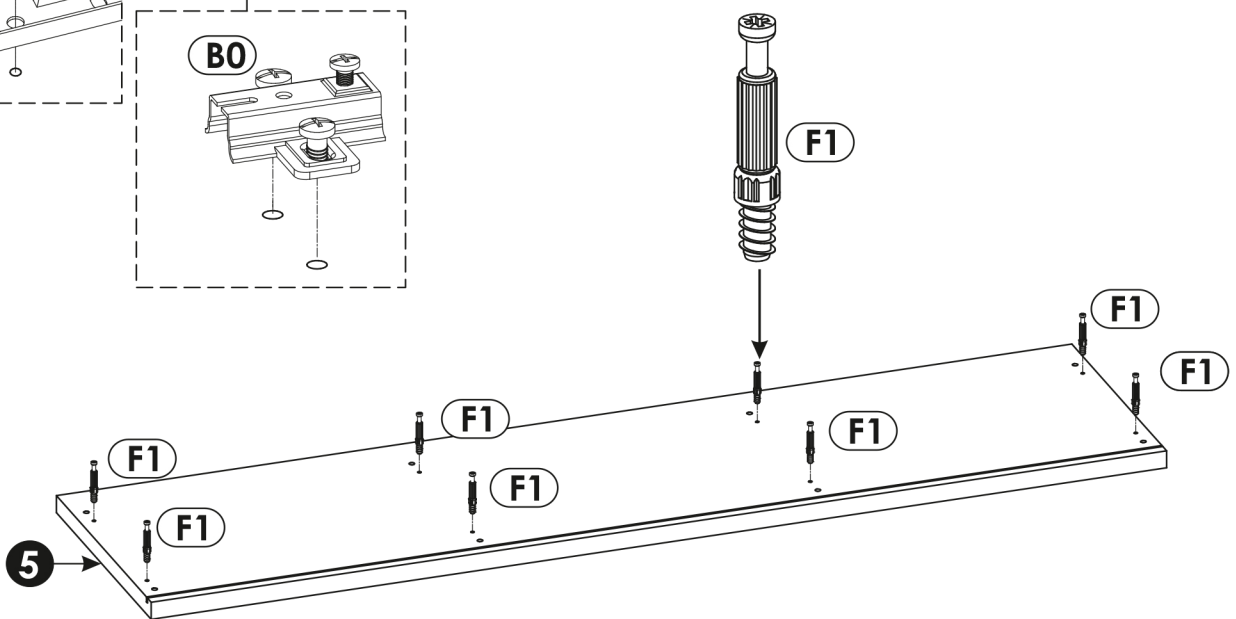
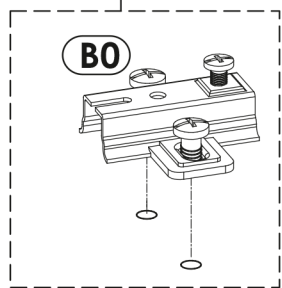
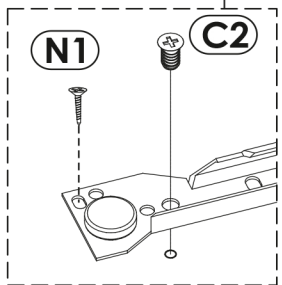
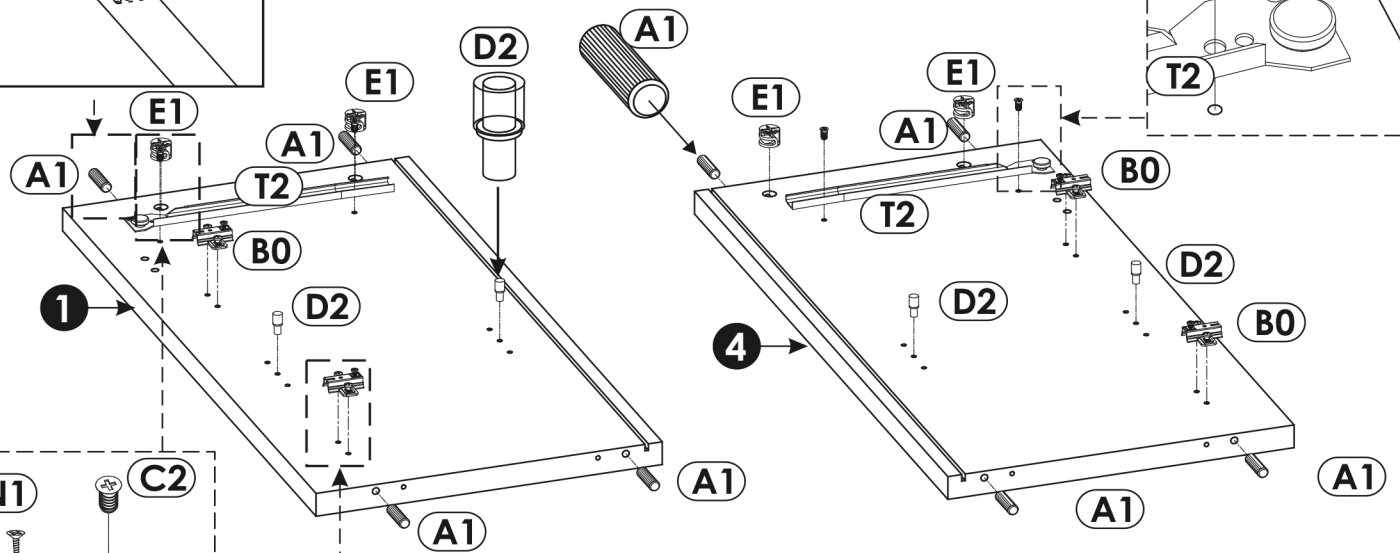
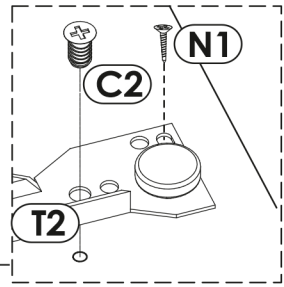
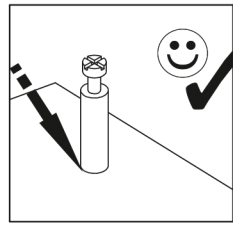
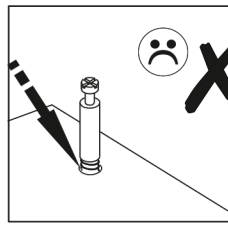
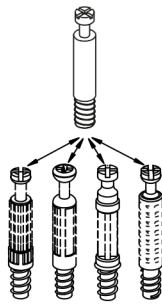
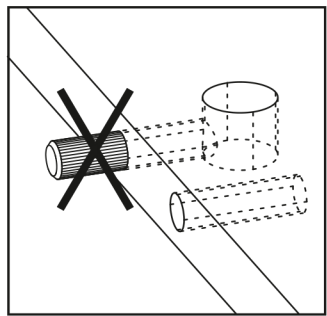
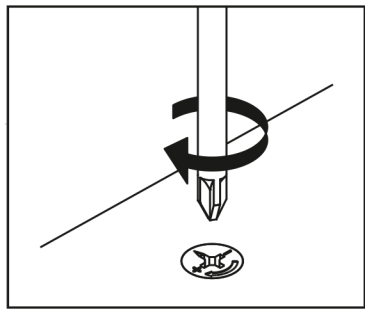
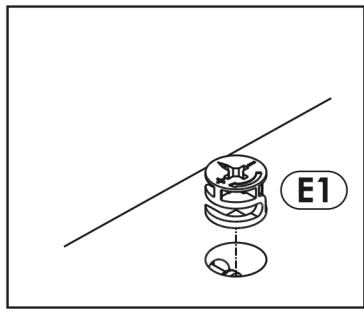
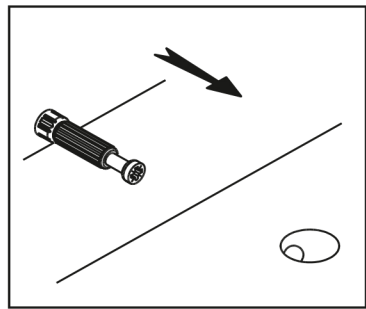
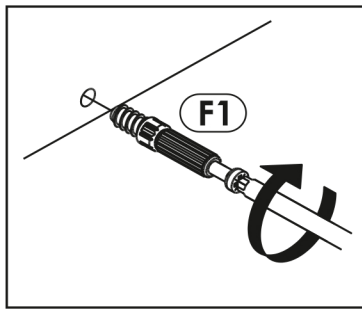
SHELDON 41



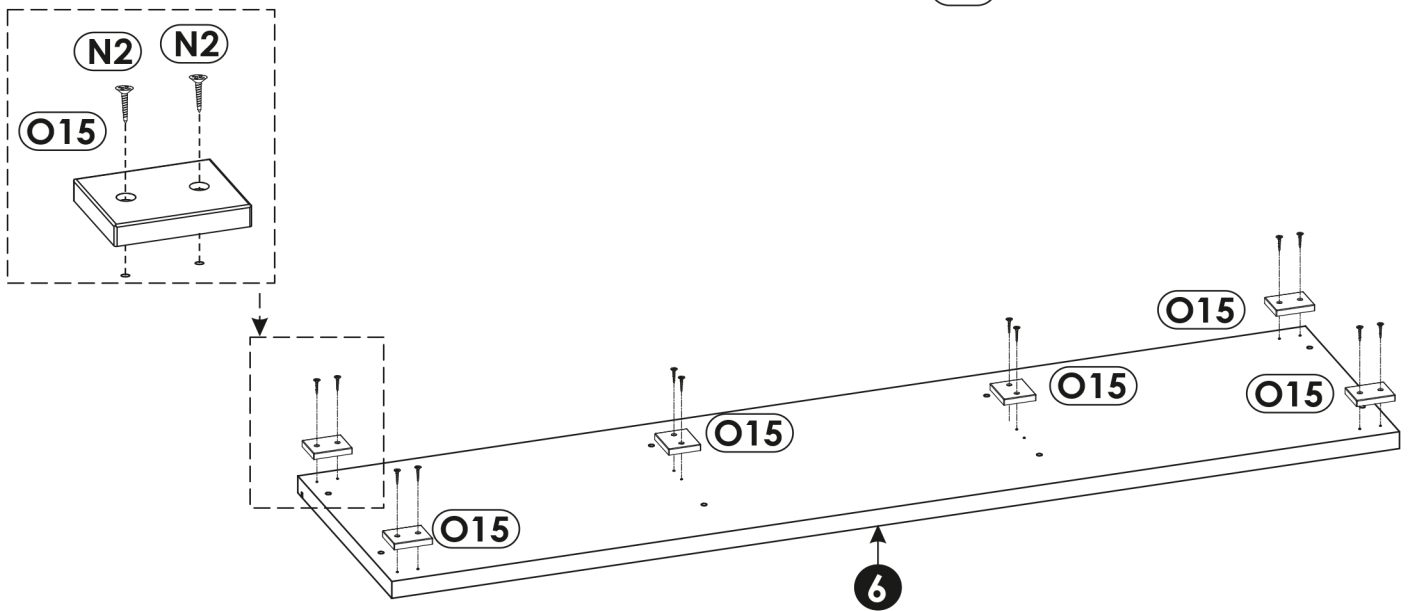
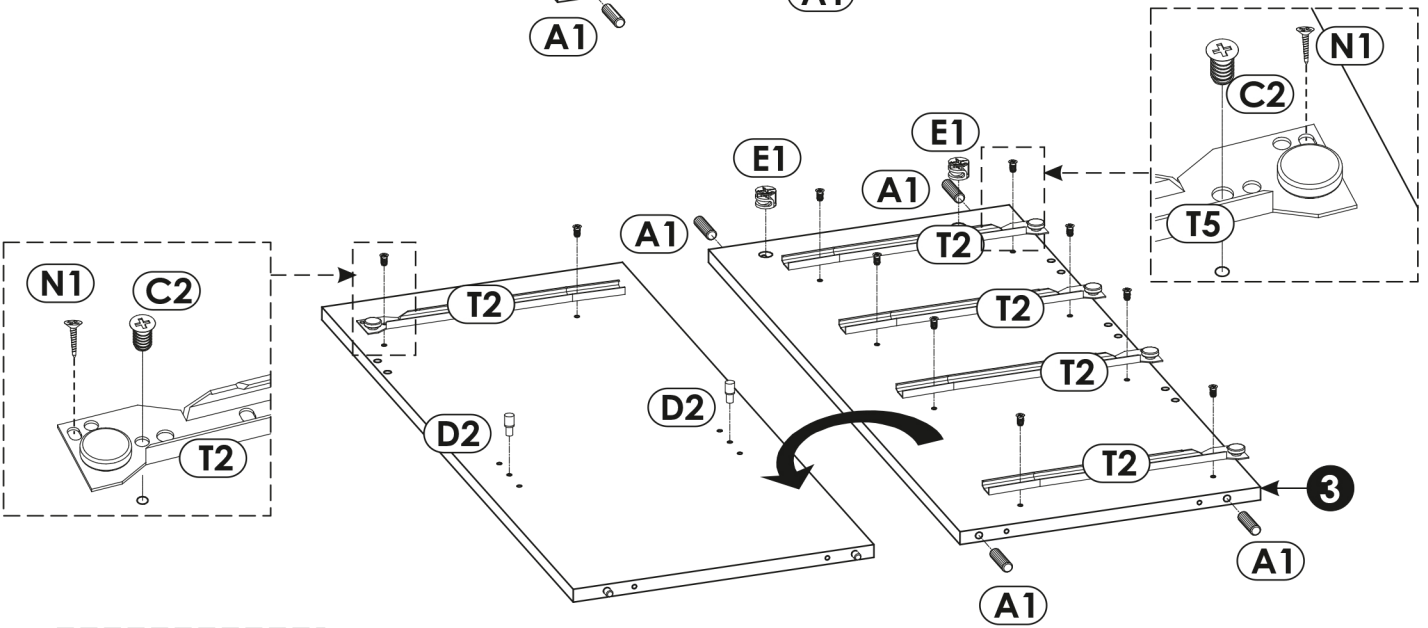
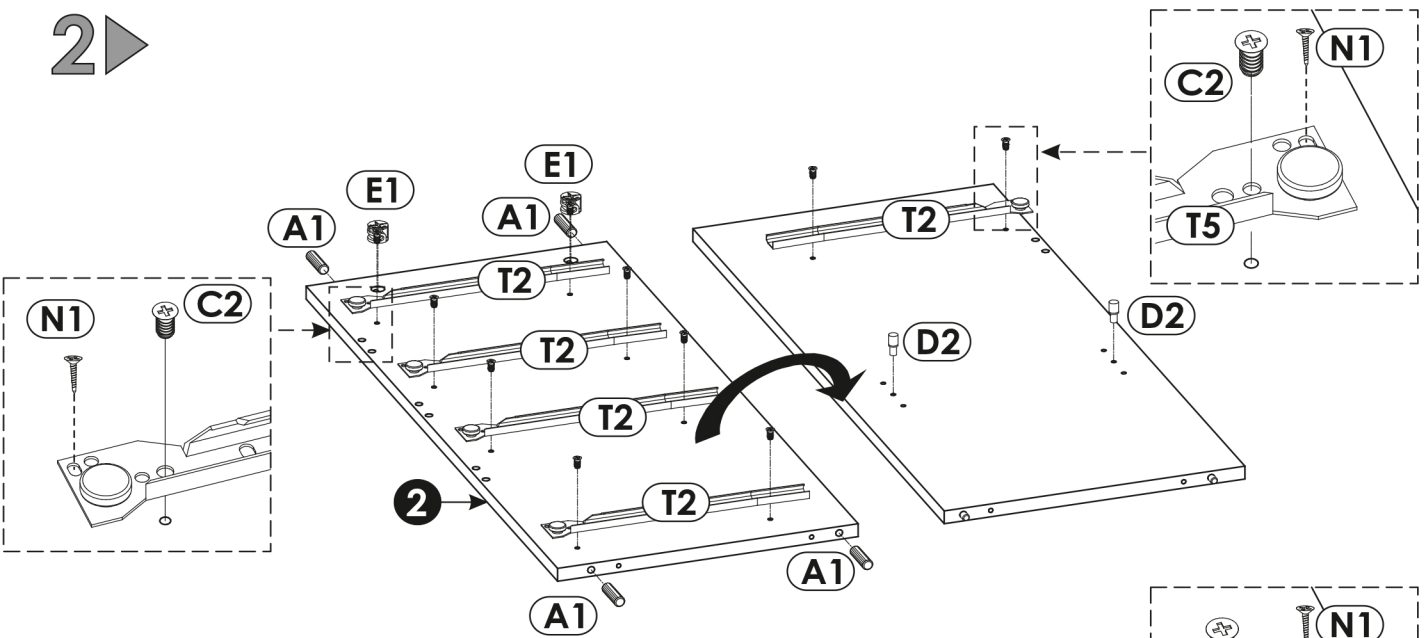
| | | | | | |
|----|------|-----|----|----|-----|
| 1 | 802 | 399 | 28 | x1 | 2/3 |
| 2 | 802 | 349 | 16 | x1 | 1/3 |
| 3 | 802 | 349 | 16 | x1 | 1/3 |
| 4 | 802 | 399 | 28 | x1 | 2/3 |
| 5 | 1560 | 400 | 28 | x1 | 3/3 |
| 6 | 1560 | 400 | 28 | x1 | 3/3 |
| 7 | 484 | 333 | 16 | x2 | 1/3 |
| 8 | 484 | 60 | 16 | x2 | 1/3 |
| 9 | 503 | 60 | 16 | x3 | 1/3 |
| 10 | 497 | 614 | 16 | x2 | 1/3 |
| 11 | 497 | 157 | 16 | x1 | 1/3 |
| 12 | 497 | 157 | 16 | x1 | 1/3 |
| 13 | 497 | 157 | 16 | x1 | 1/3 |
| 14 | 497 | 250 | 16 | x1 | 1/3 |
| 15 | 330 | 80 | 16 | x5 | 1/3 |
| 16 | 330 | 80 | 16 | x5 | 1/3 |
| 17 | 330 | 140 | 16 | x1 | 1/3 |
| 18 | 330 | 140 | 16 | x1 | 1/3 |
| 19 | 427 | 80 | 16 | x2 | 1/3 |
| 20 | 446 | 80 | 16 | x3 | 1/3 |
| 21 | 446 | 140 | 16 | x1 | 1/3 |
| 22 | 477 | 335 | 3 | x4 | 3/3 |
| 23 | 458 | 335 | 3 | x2 | 3/3 |
| 24 | 815 | 496 | 3 | x2 | 1/3 |
| 25 | 815 | 518 | 3 | x1 | 1/3 |
| 26 | 497 | 157 | 16 | x2 | 1/3 |

| | | |
|-------------------------|----------------------------|-----------------------------|
| A1 x56 ø8 x 35mm | A3 x 4 ø8 x 60 mm | B0 x4 |
| B3 x4 | C1 x8 EURO 4 x 13mm | C2 x24 EURO 5 x 13mm |
| D2 x8 | E0 x20 | E1 20 ø15 x 12mm |
| F1 x20 | G0 x20 | G1 x12 ø7 x 30mm |
| G2 x8 ø7 x 60mm | I2 x2 4 x 16mm | J1 x36 US 3 x 20mm |
| M x1 | N1 x50 US 3 x 16mm | N2 x12 US 3.5 x 16mm |
| O15 x4 | Q9 x2 | R1 x 10 |
| R4 x22 | RB x16 | |
| T2 x6 | Z x1 | |
| L-300 | | |

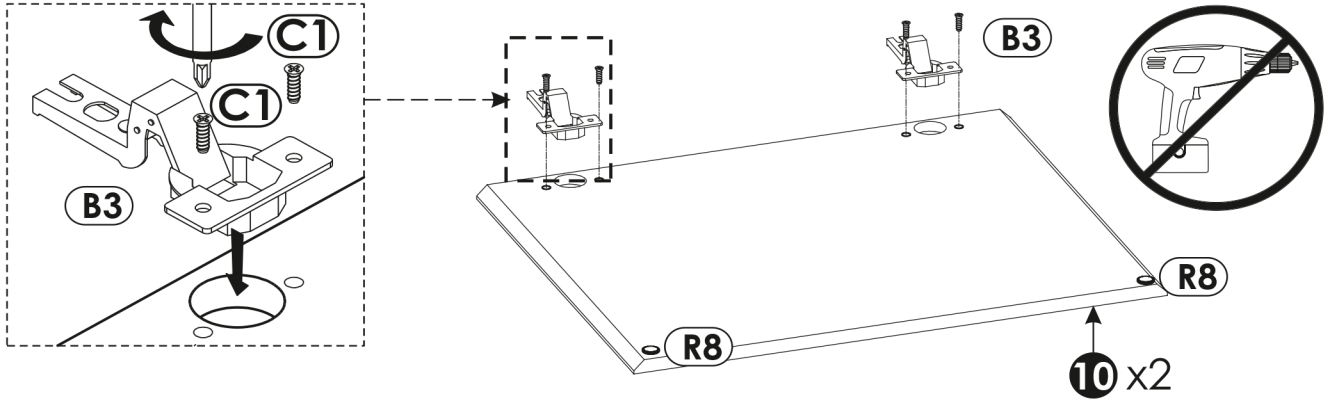




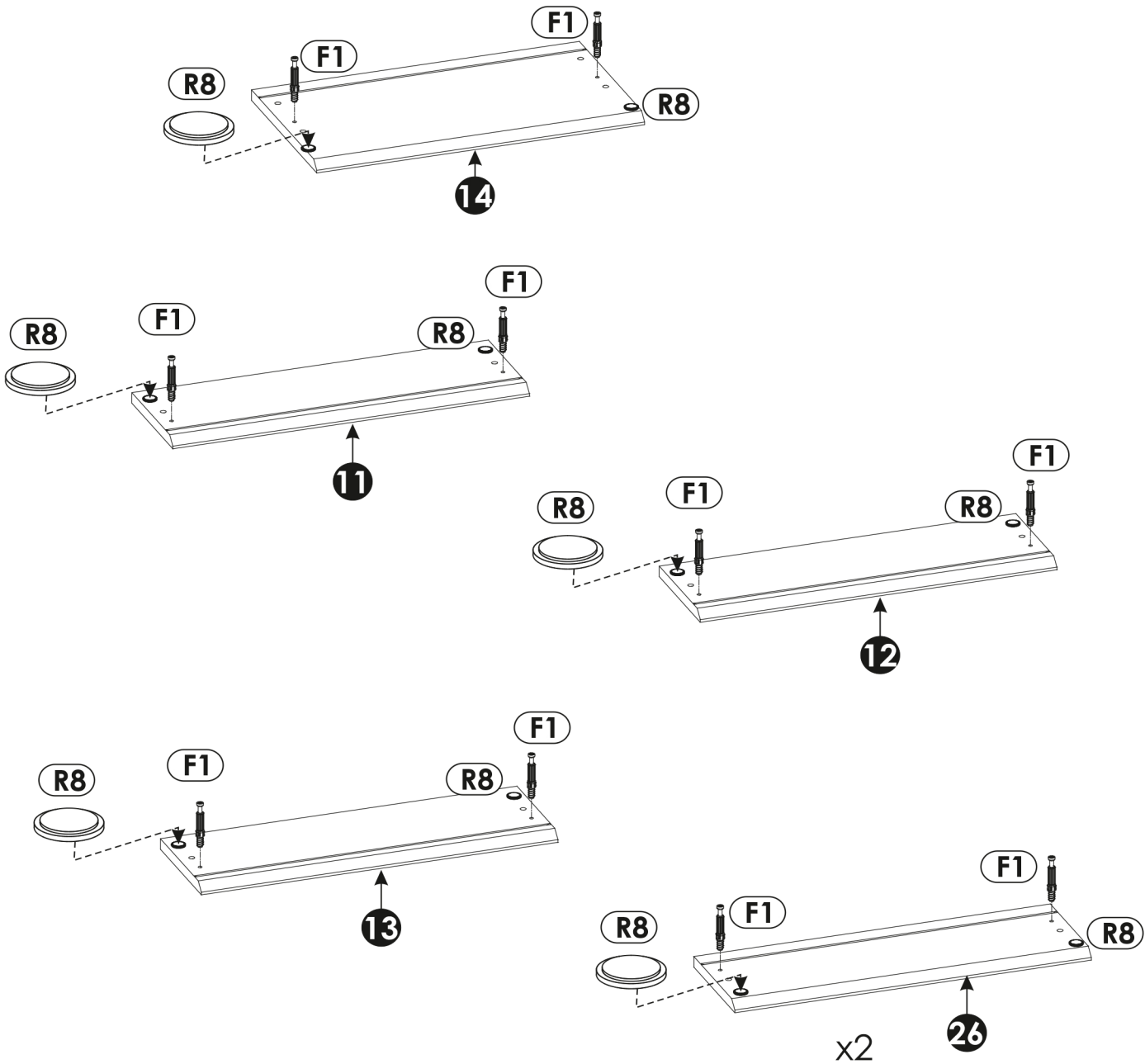
2 ▶

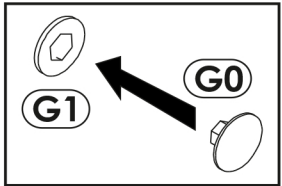
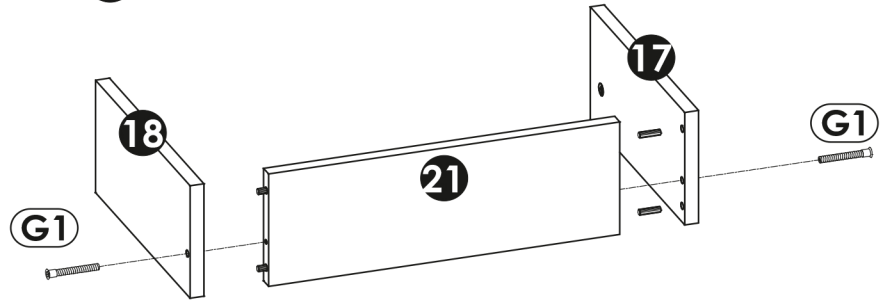
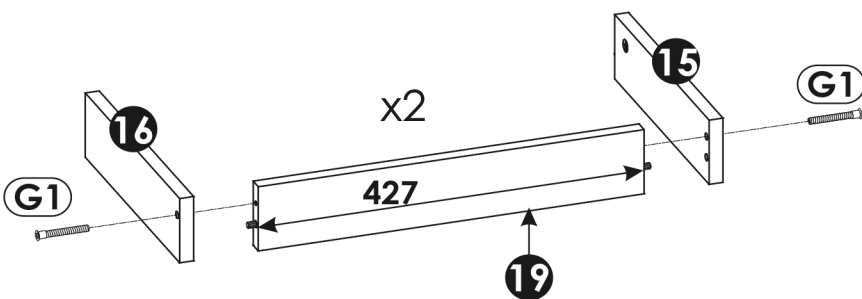
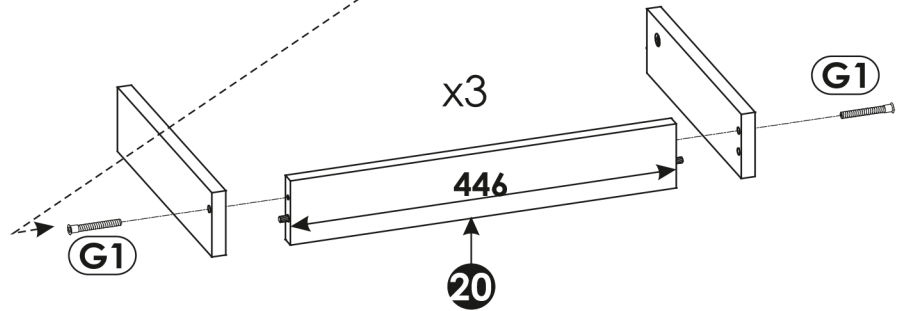
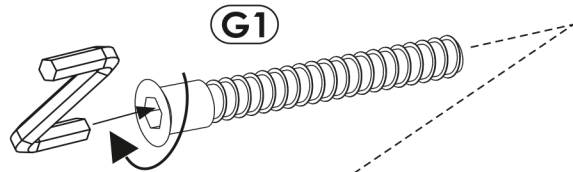
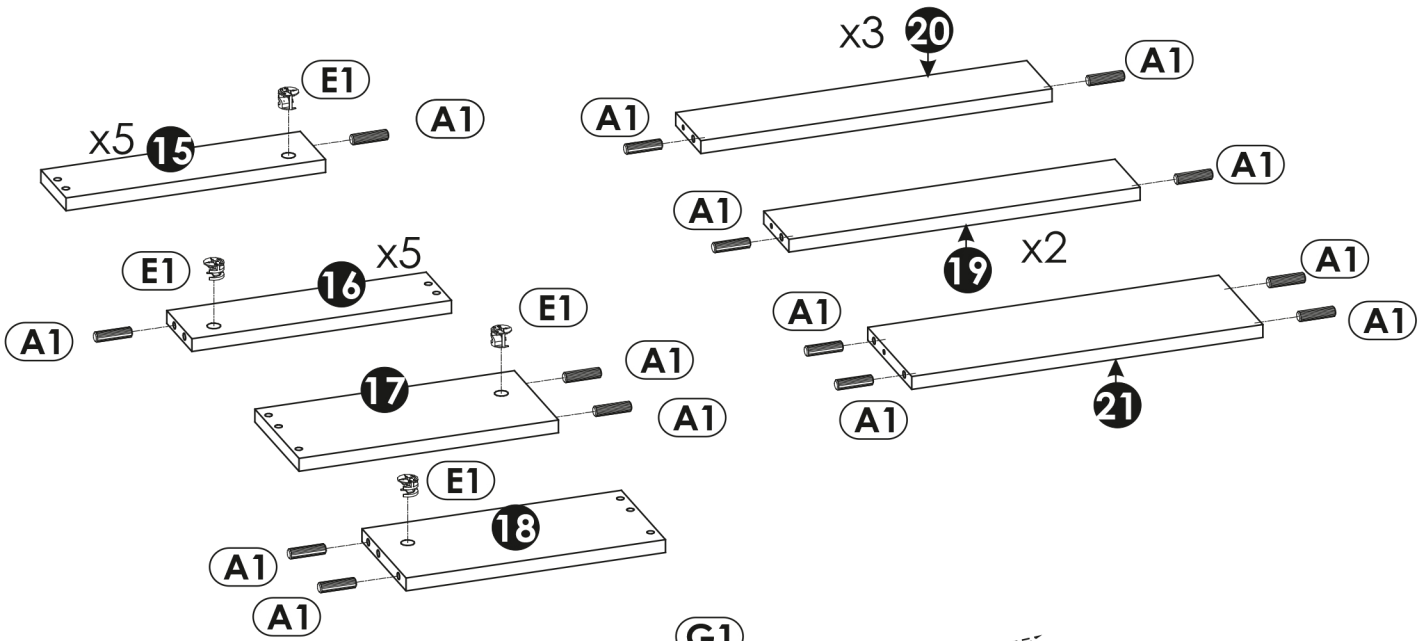


3 ▶

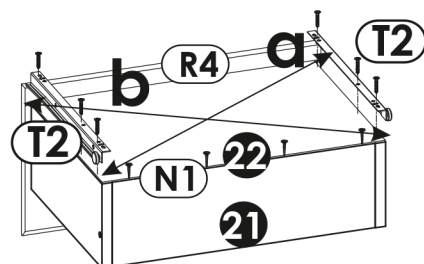
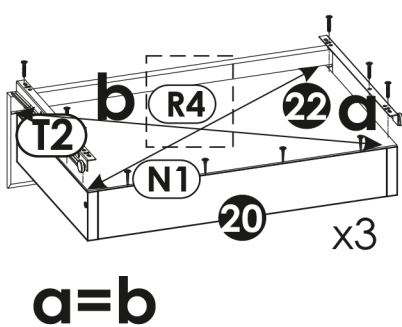
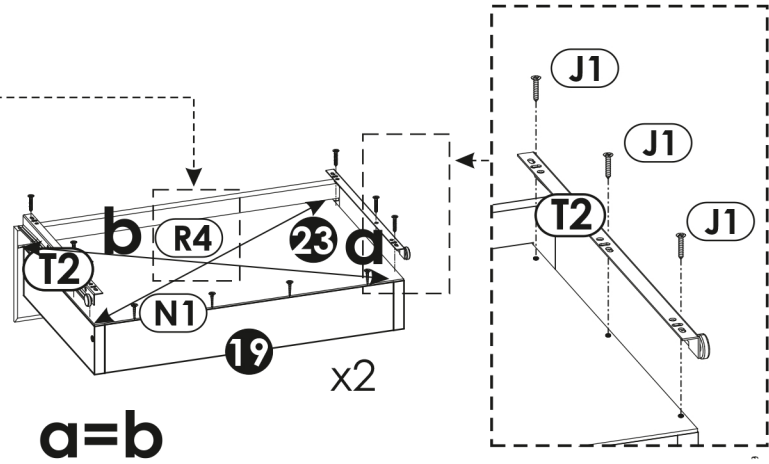
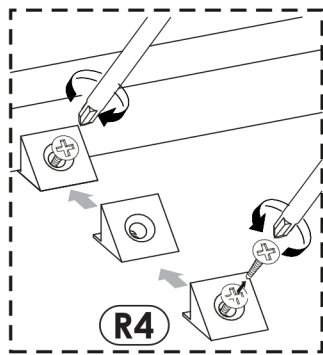
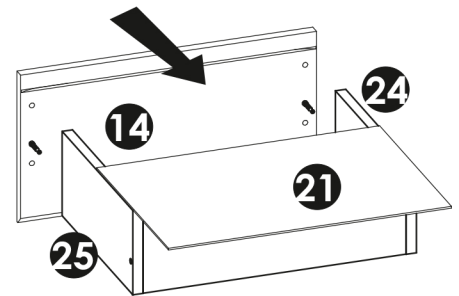
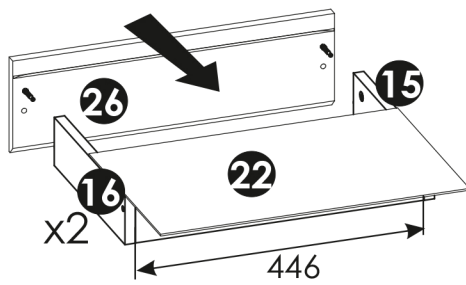
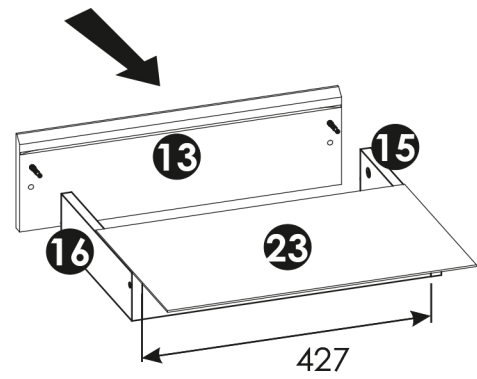
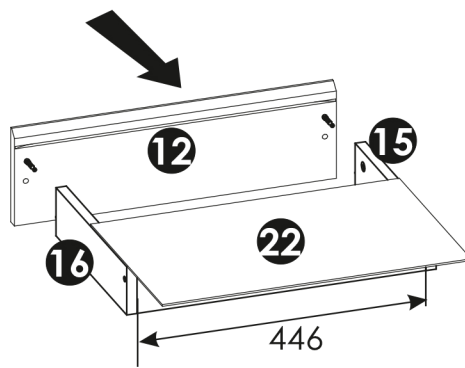
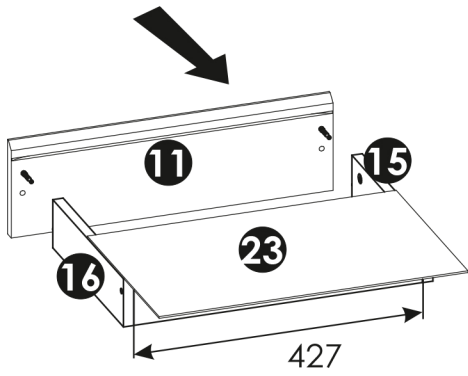


4 ▶

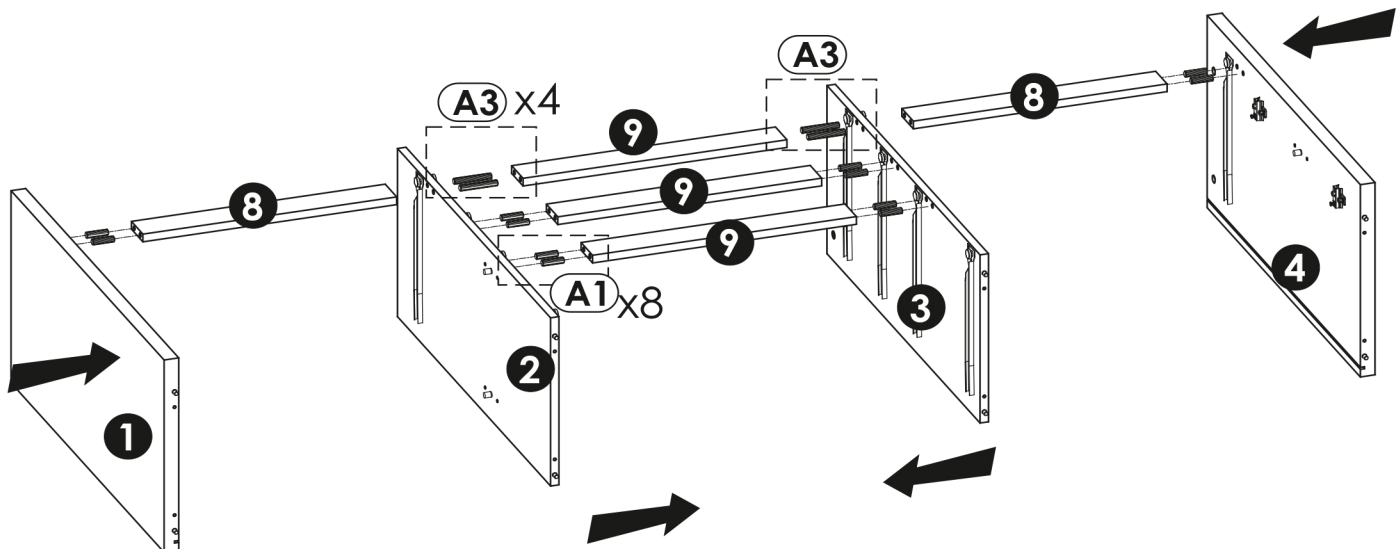




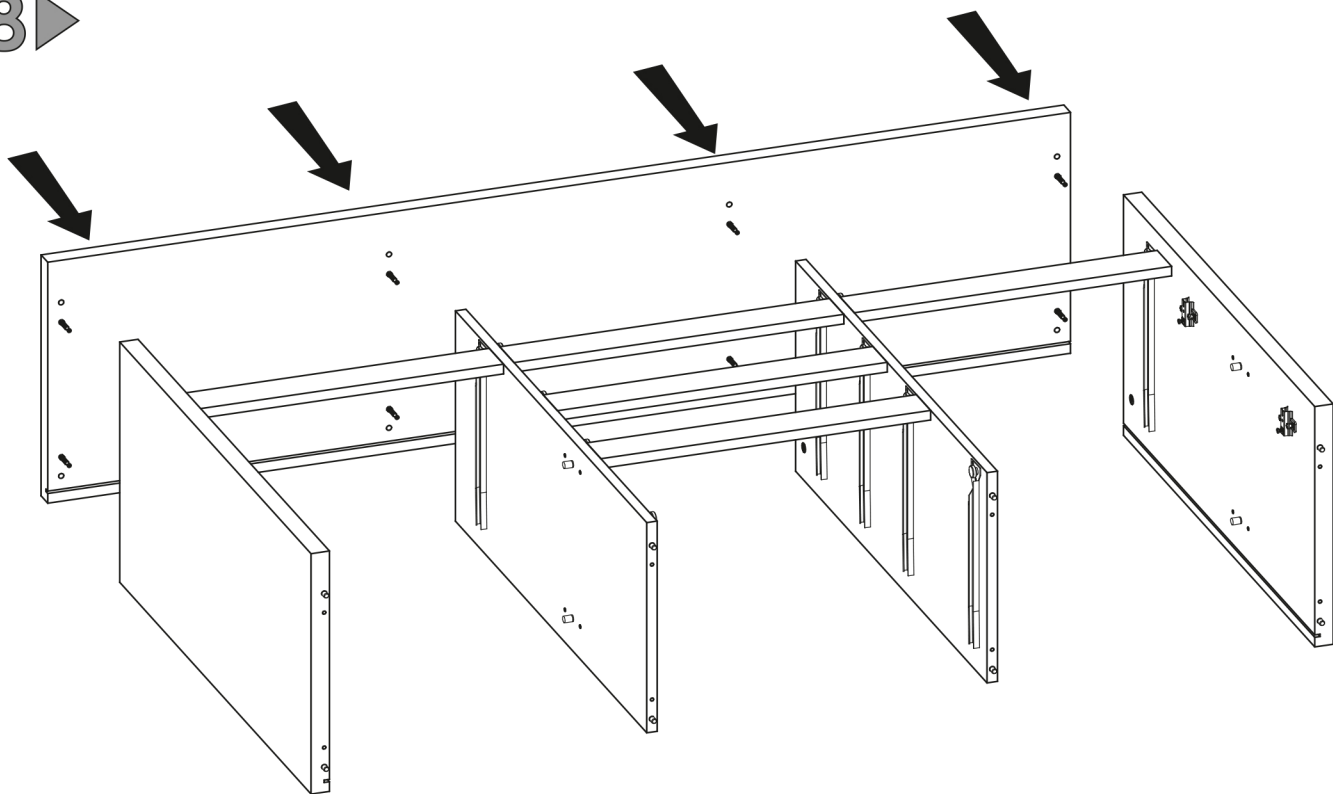
6 ▶



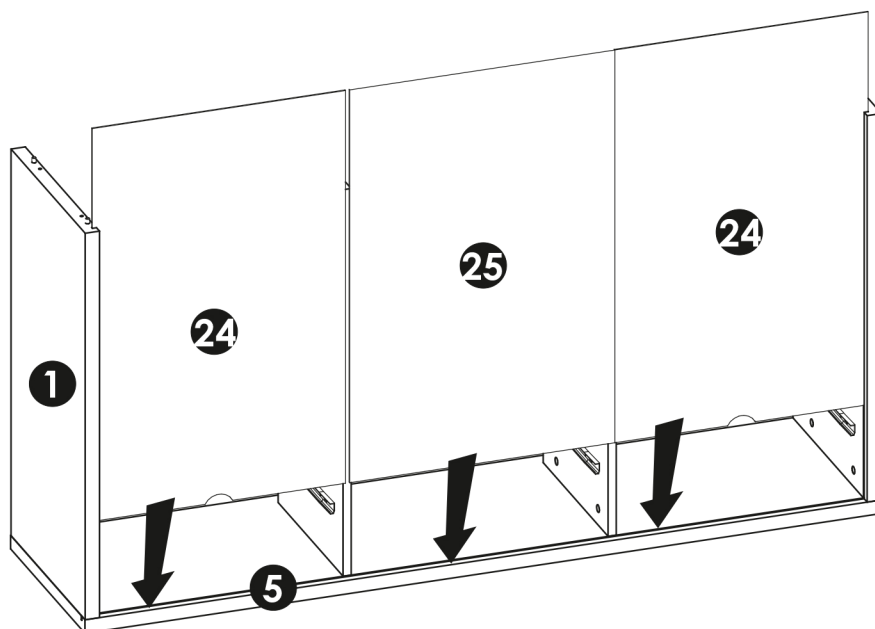
7 ▶



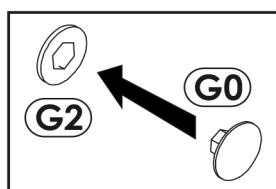
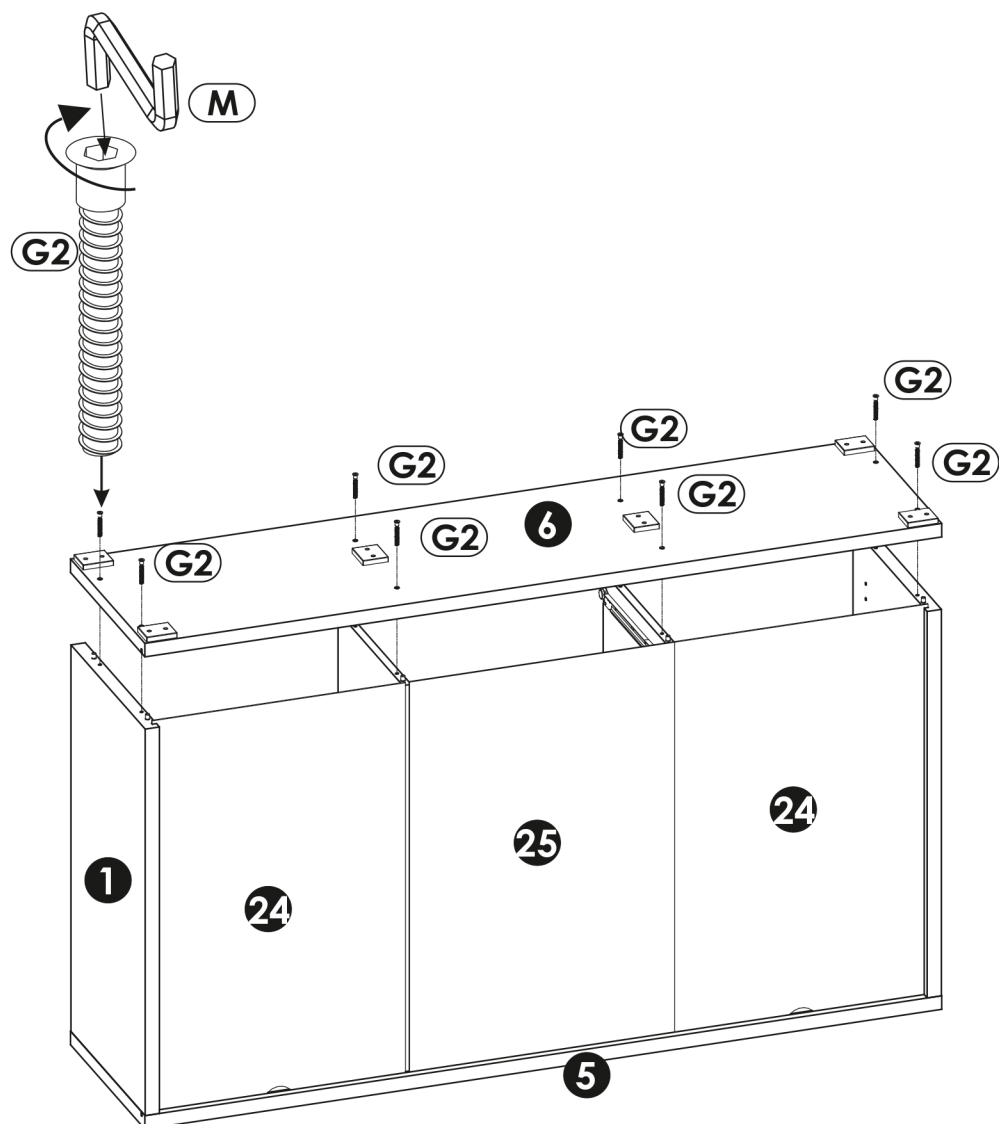
8 ▶

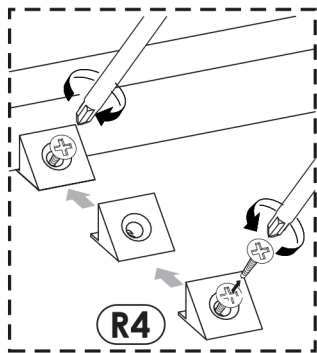
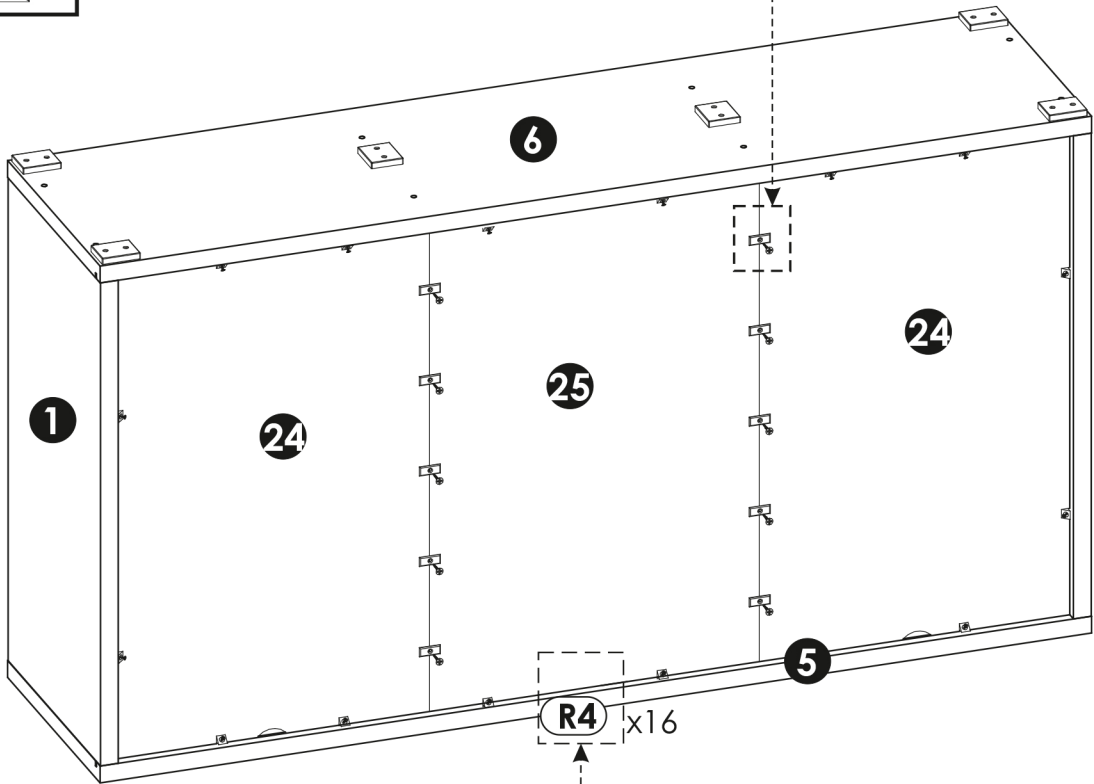
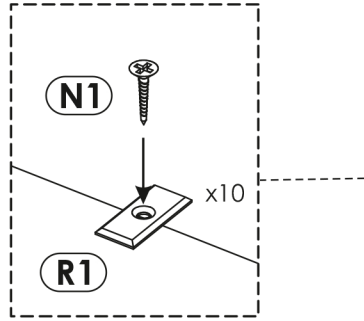
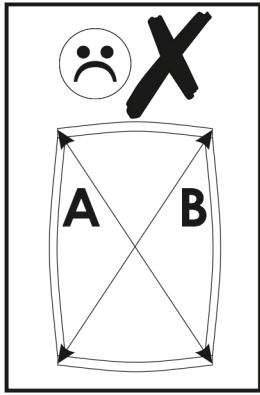
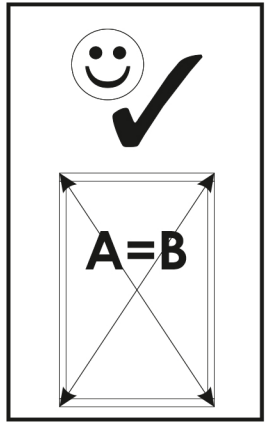


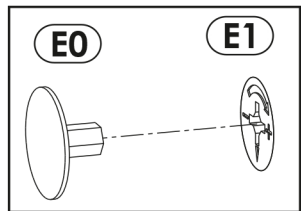
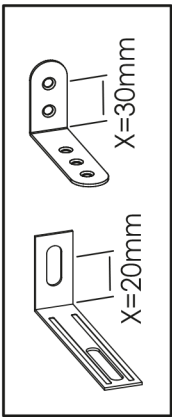
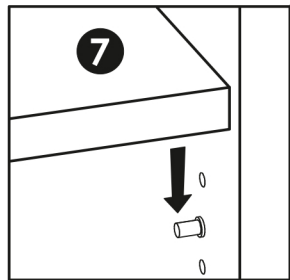
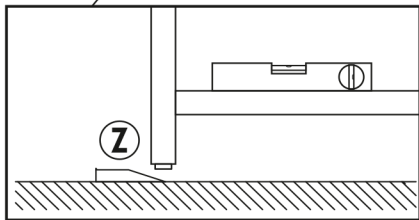
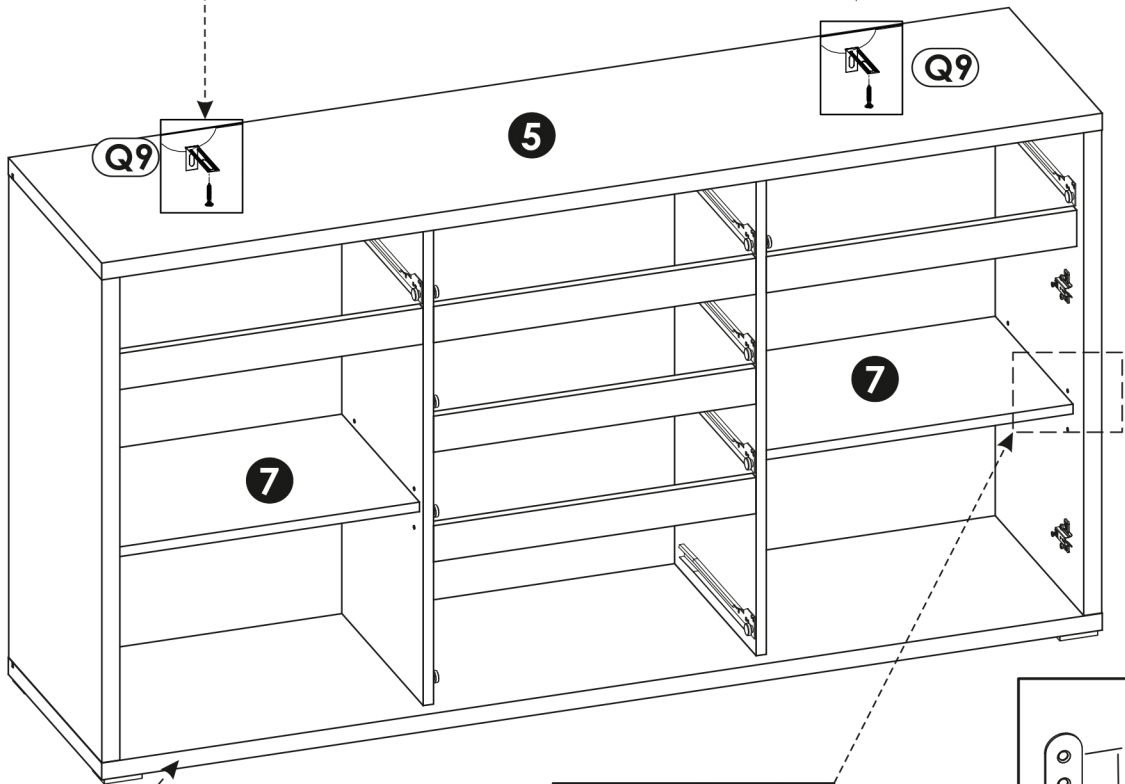
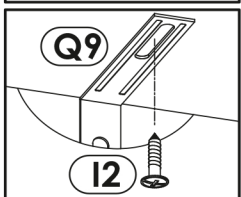
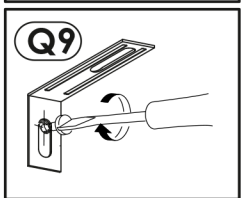
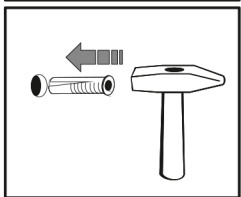
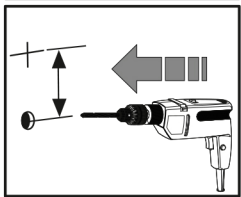
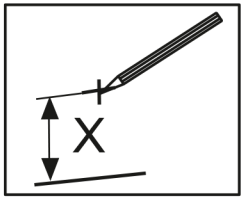
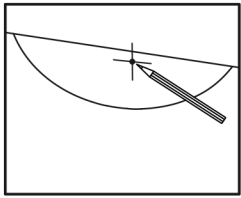
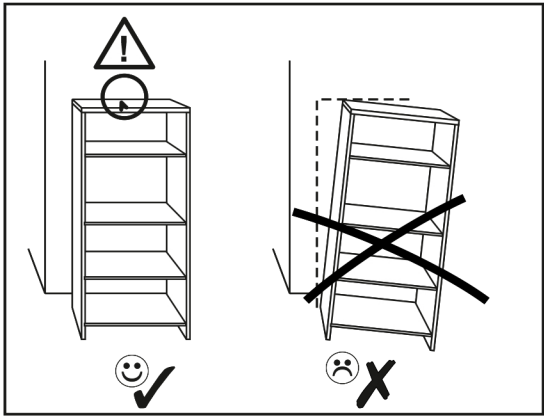
9 ▶



10 ▶







13▶

