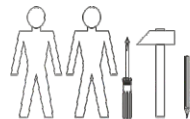
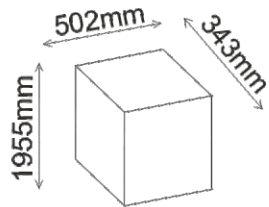
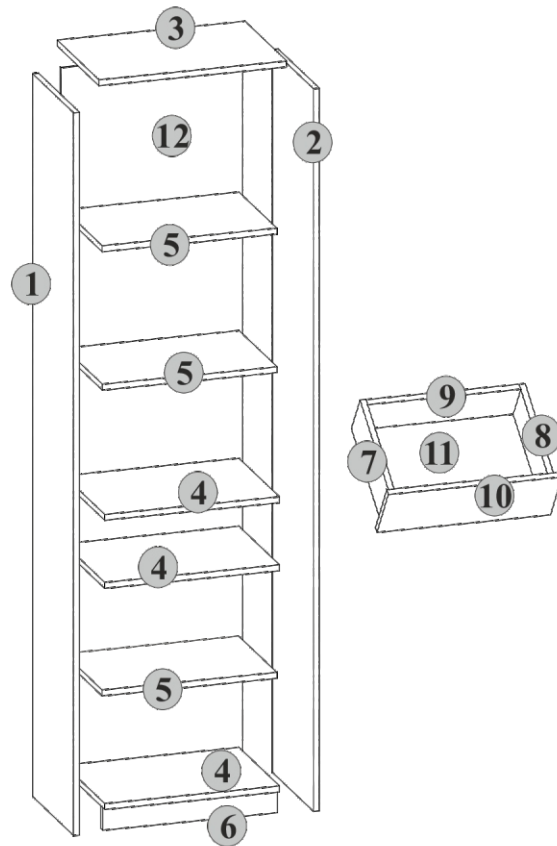
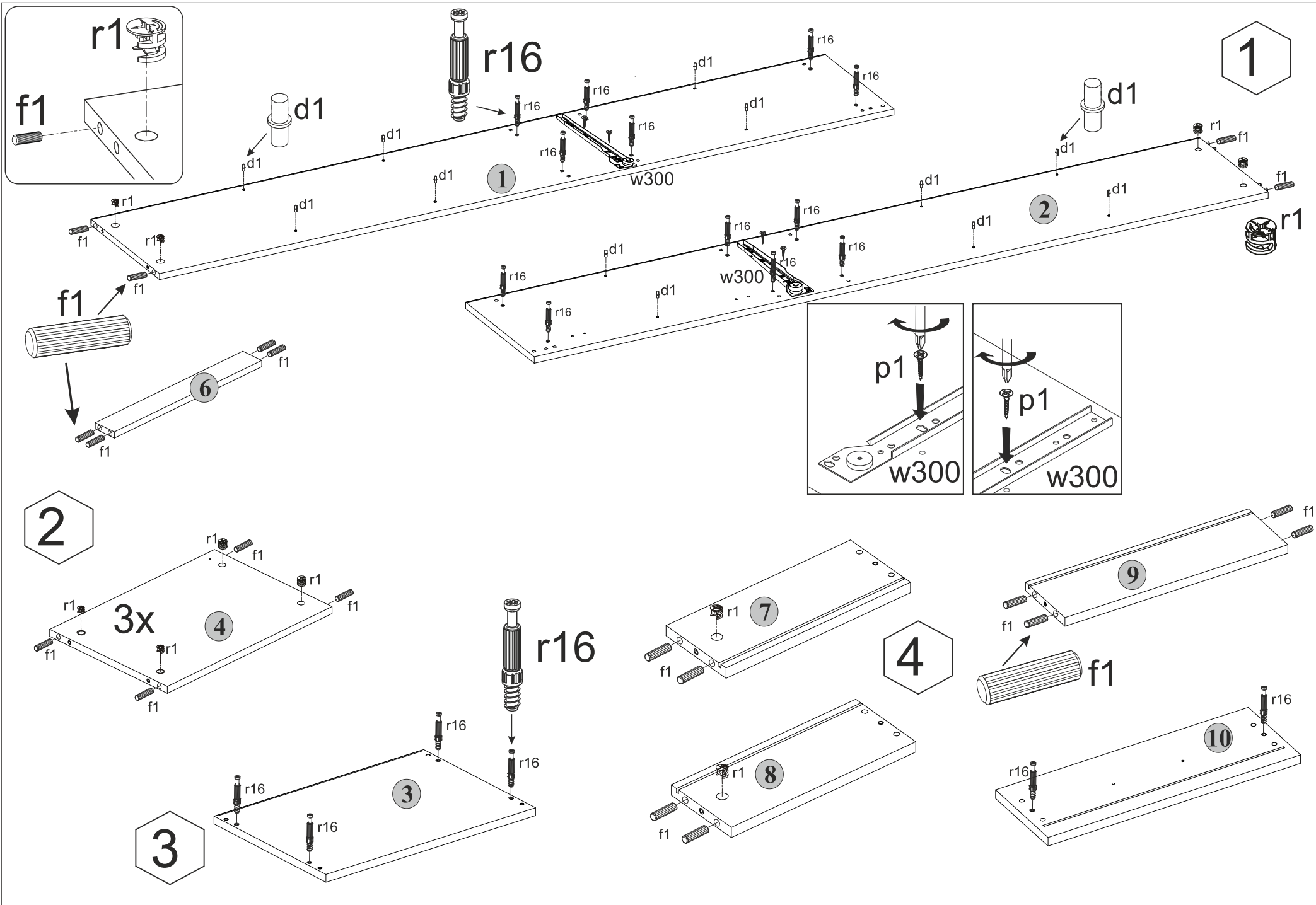


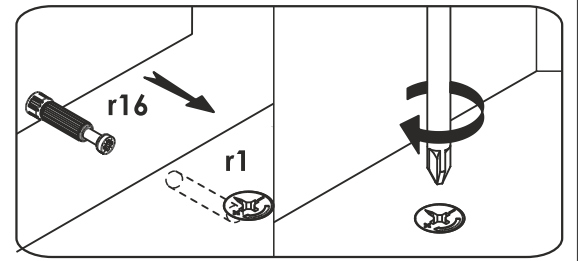
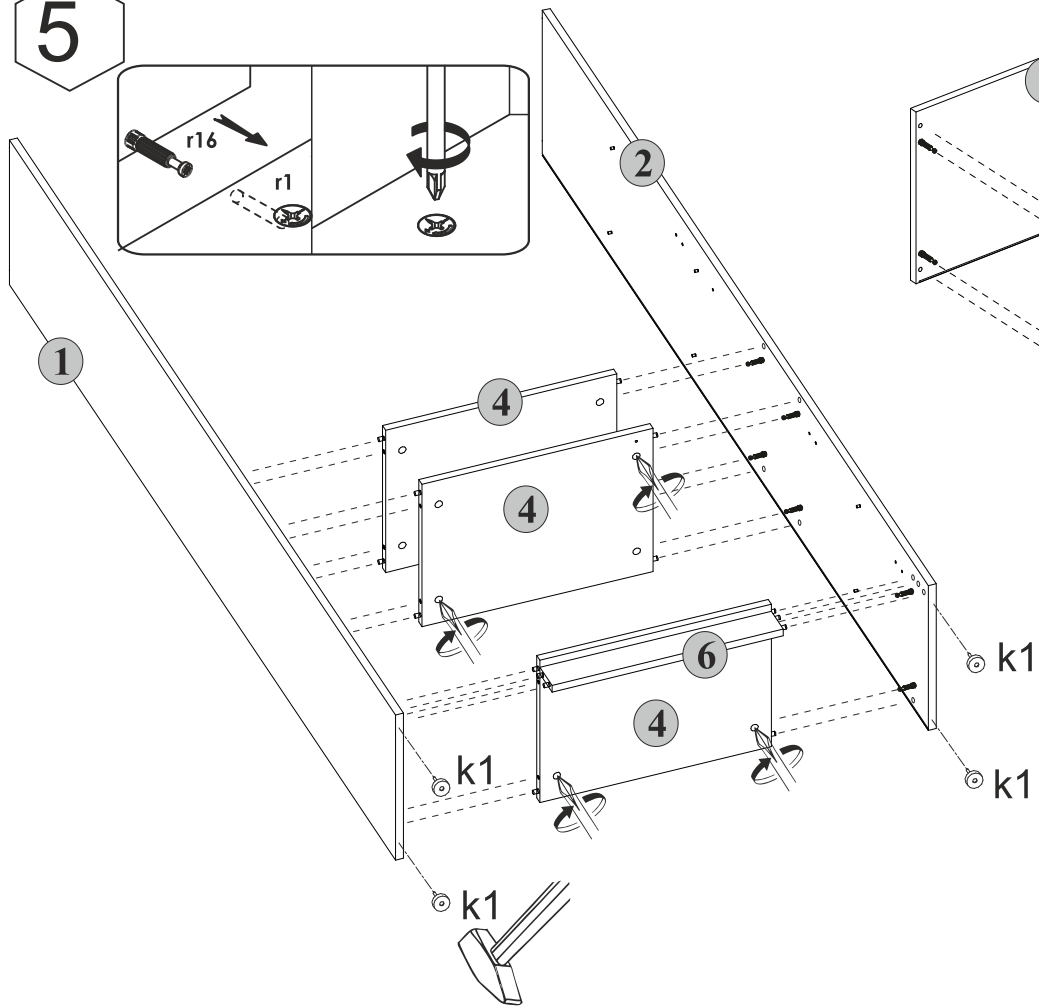
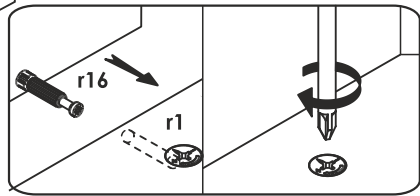
# TEYO 1S



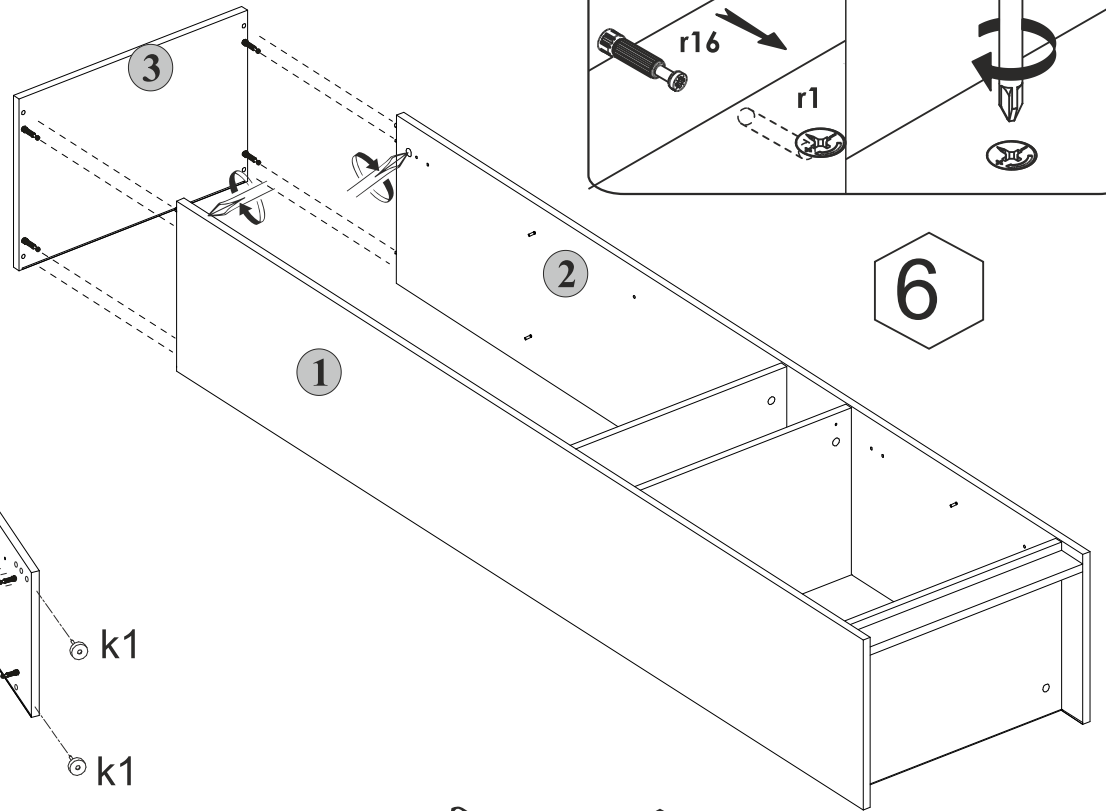
12x ϕ5x17 mm d1	18x r16	4x k1	1x y1	1x c114	18x ϕ15 #16 r1
12x ϕ3.5x13 mm p1	18x s2	1x w300	2x p78	50x 1x16 l1	1x z1
			28x ϕ8x30 mm f1	2x 7x50 e1	2x s1



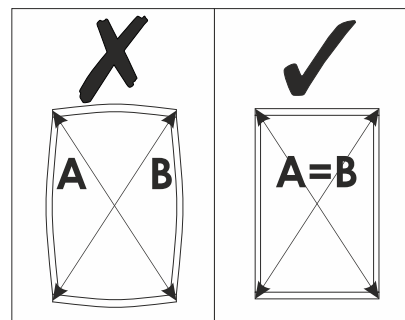
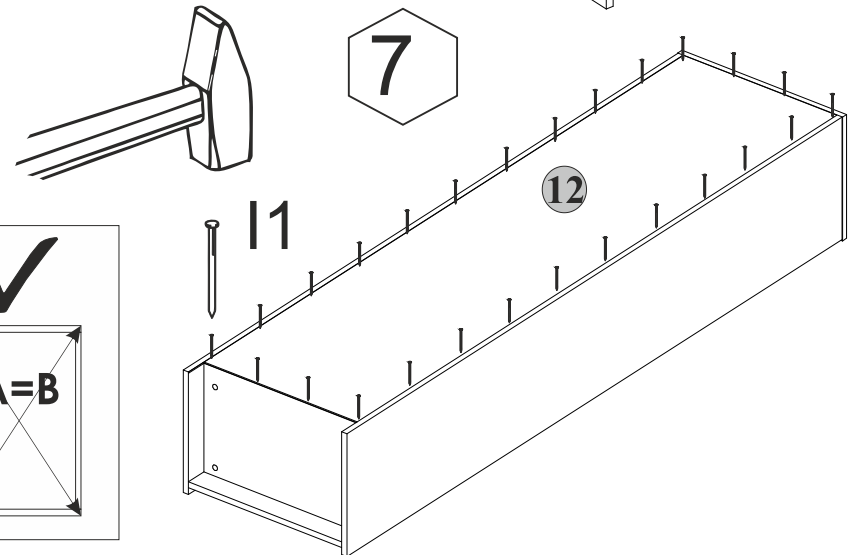
5



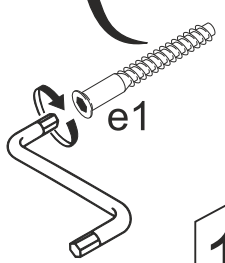
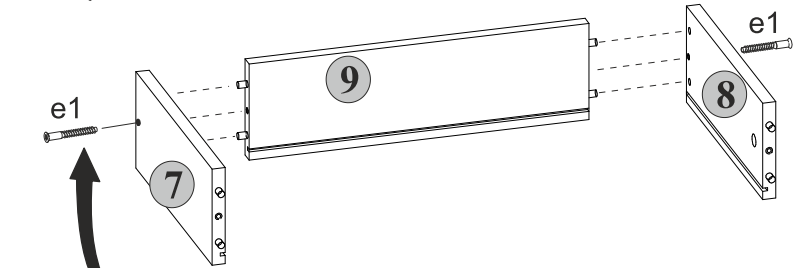
6



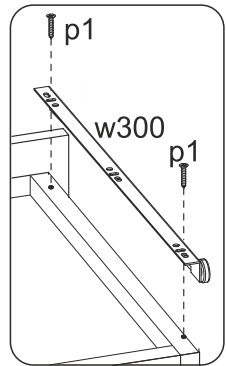
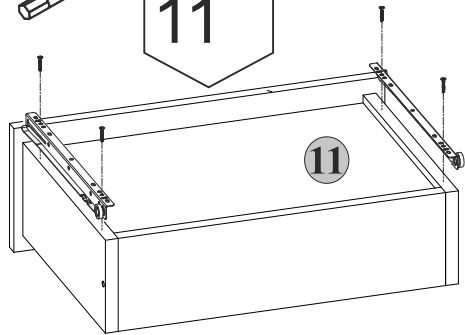
7



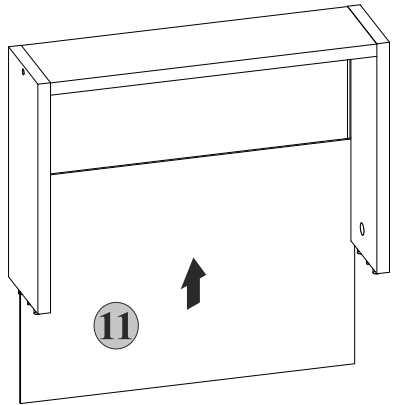
8



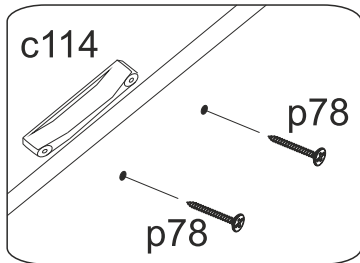
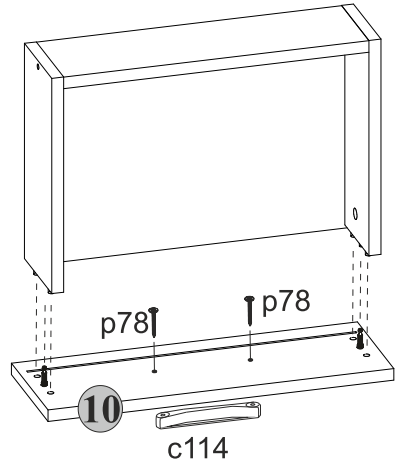
11



9



10



12

