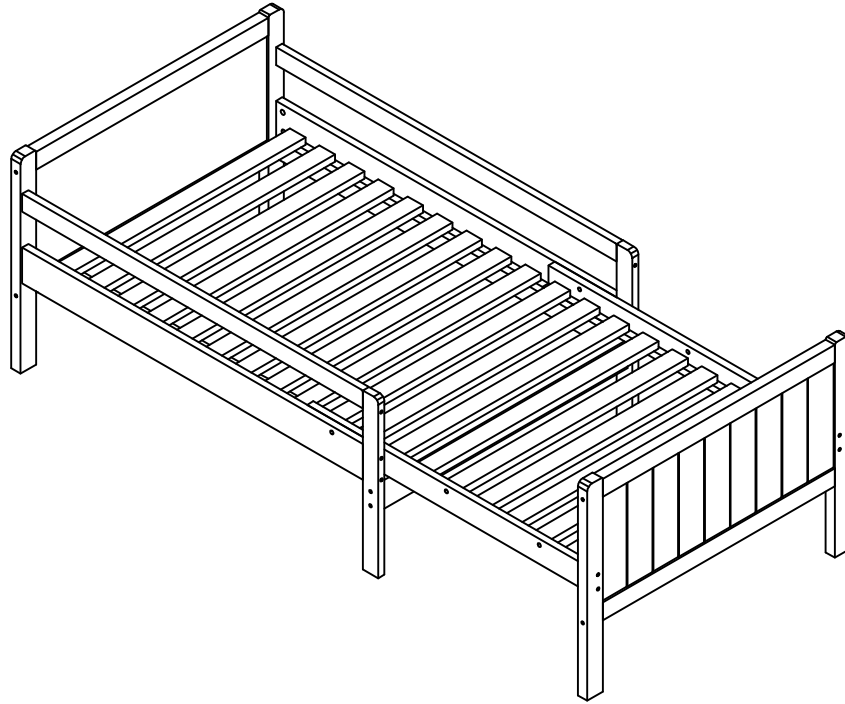


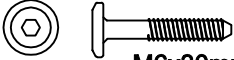



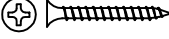
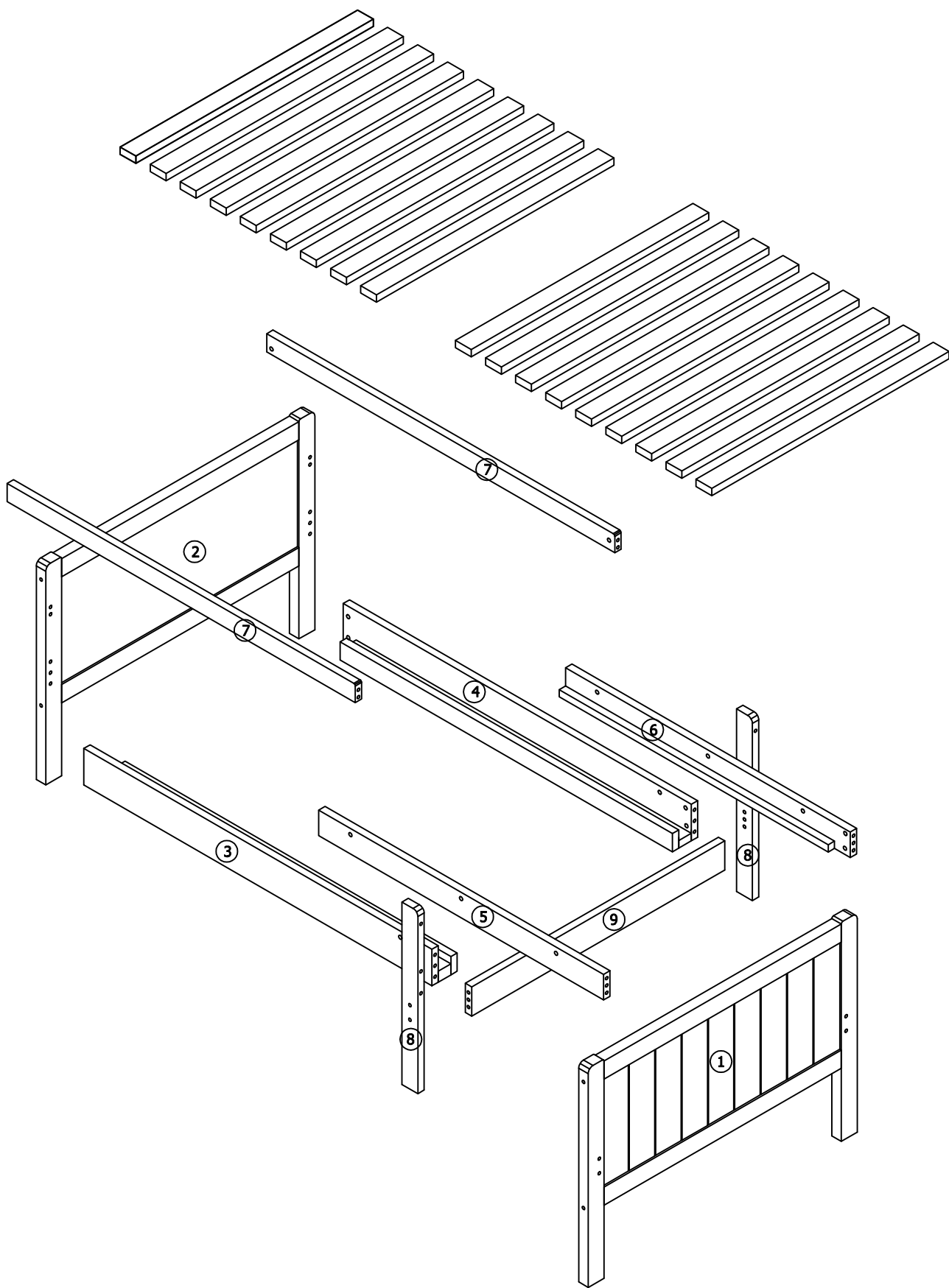


# EUNIKA

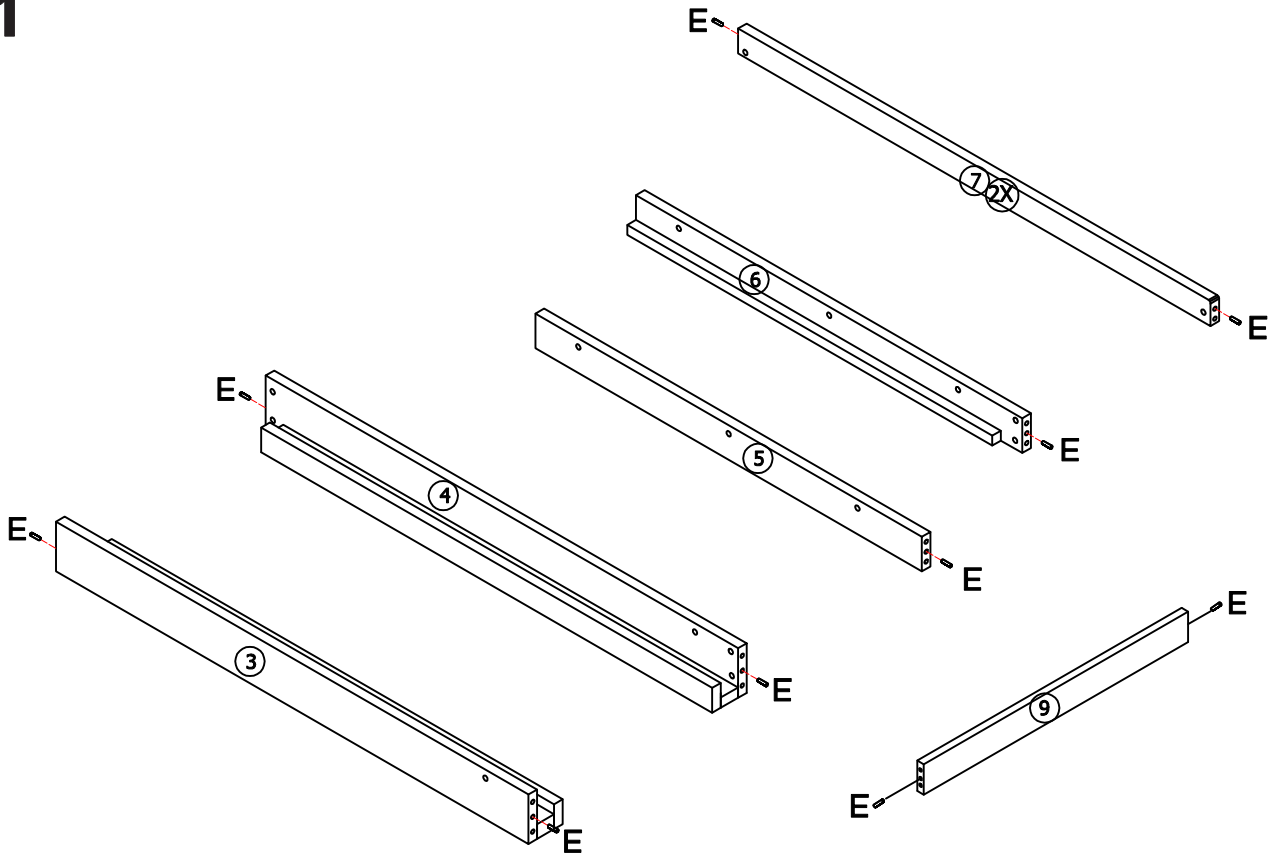



A	 15mm M6x70mm	20
B		20
C	 15mm M6x30mm	02
D	 15mm Ø8x20mm	02

E	 Ø8x30mm	12
F		01
G	 8mm Ø4.5x30mm	36

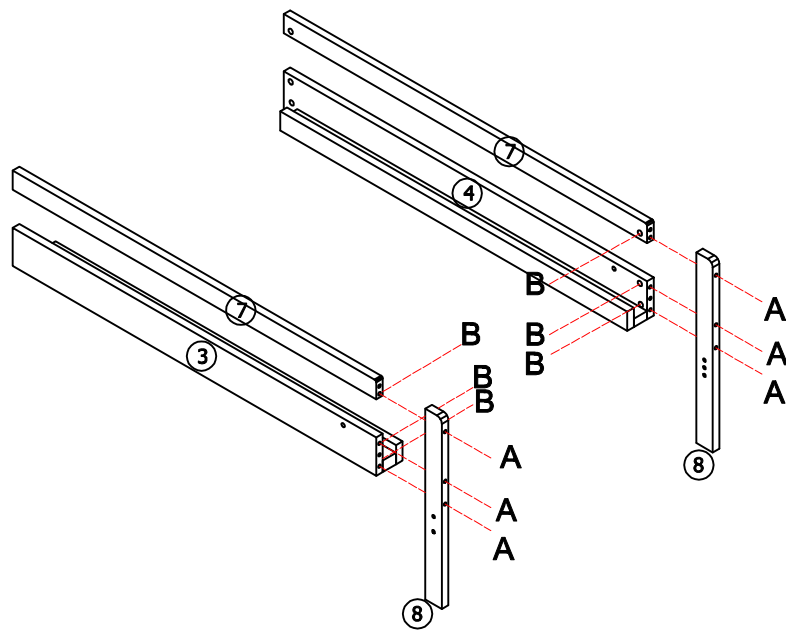




# 01



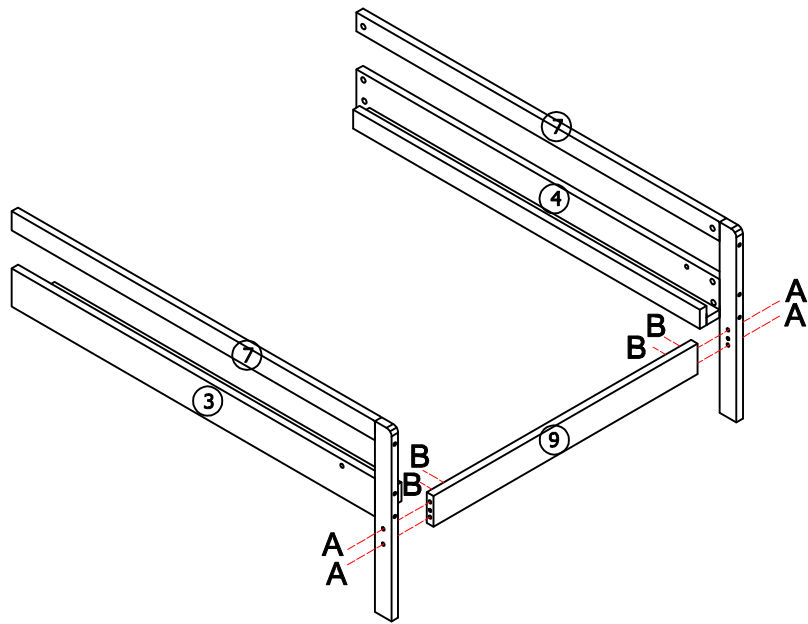
E	 Ø8x30mm	12
---	--	----



# 02



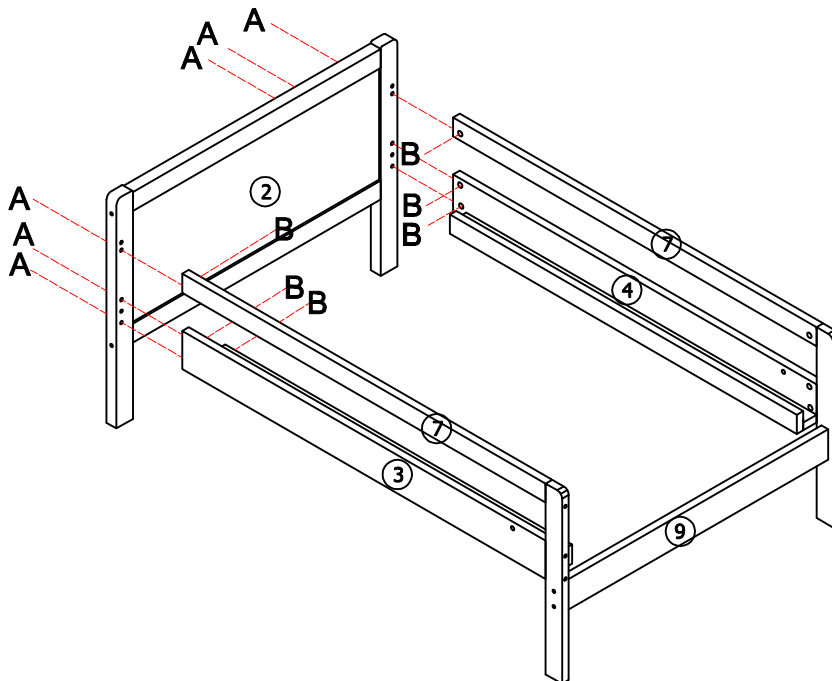
A	 M6x70mm	06
B		06

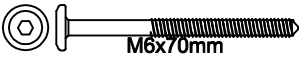

# 03



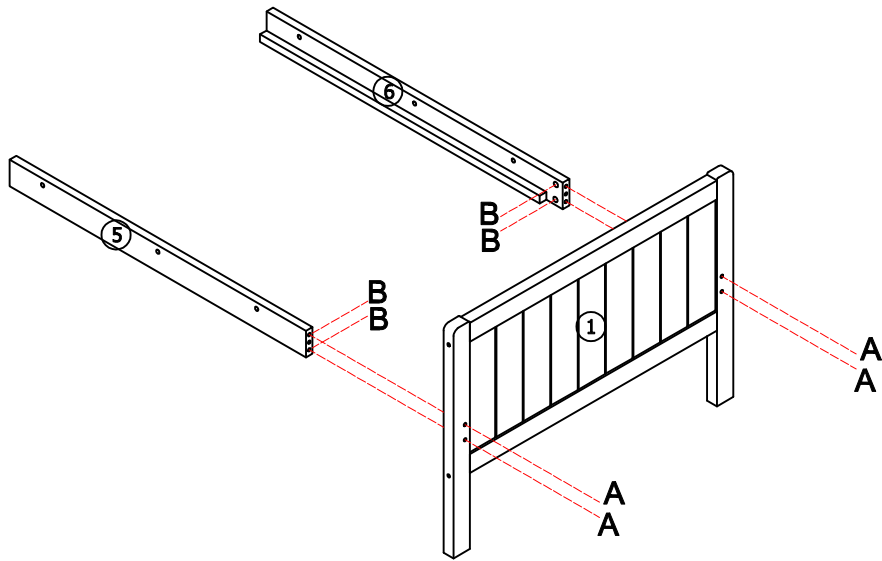
A	 M6x70mm	04
B		04



# 04



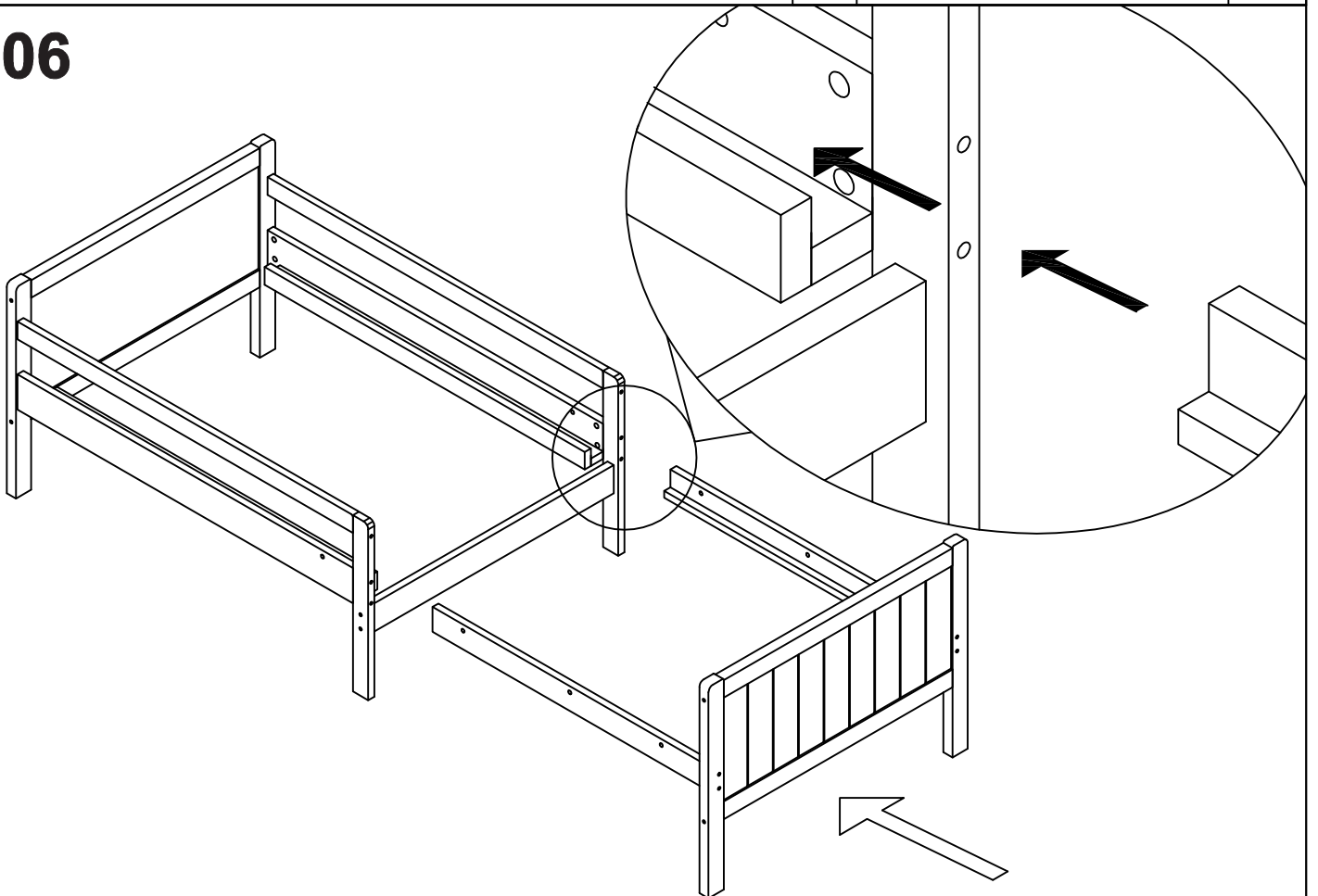
A	 M6x70mm	06
B		06

# 05

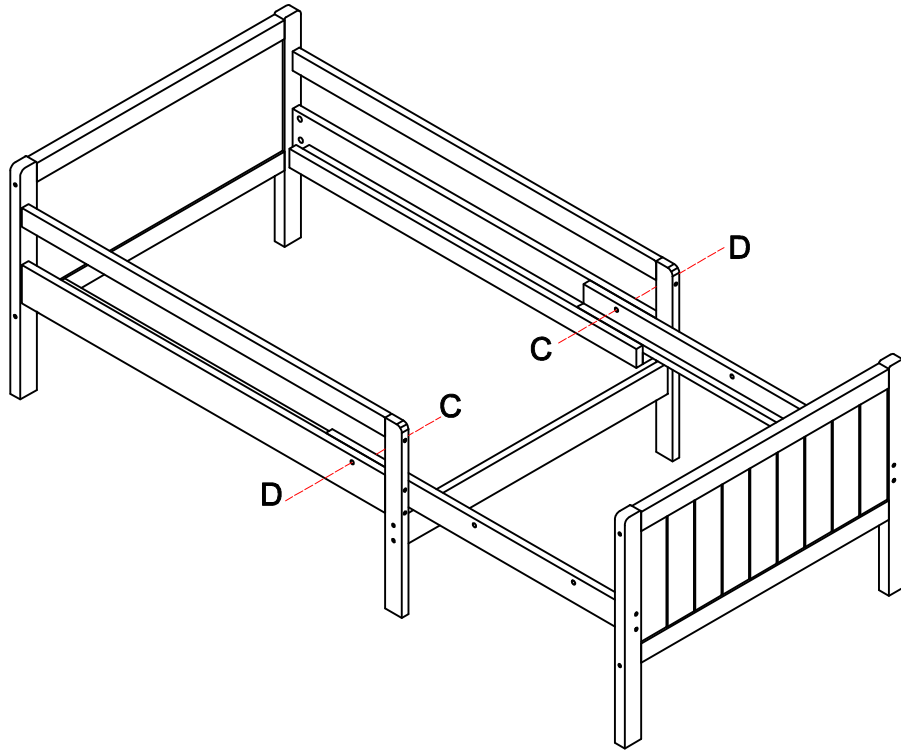





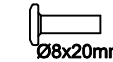
A	 $M6 \times 70mm$	04
B		04

# 06

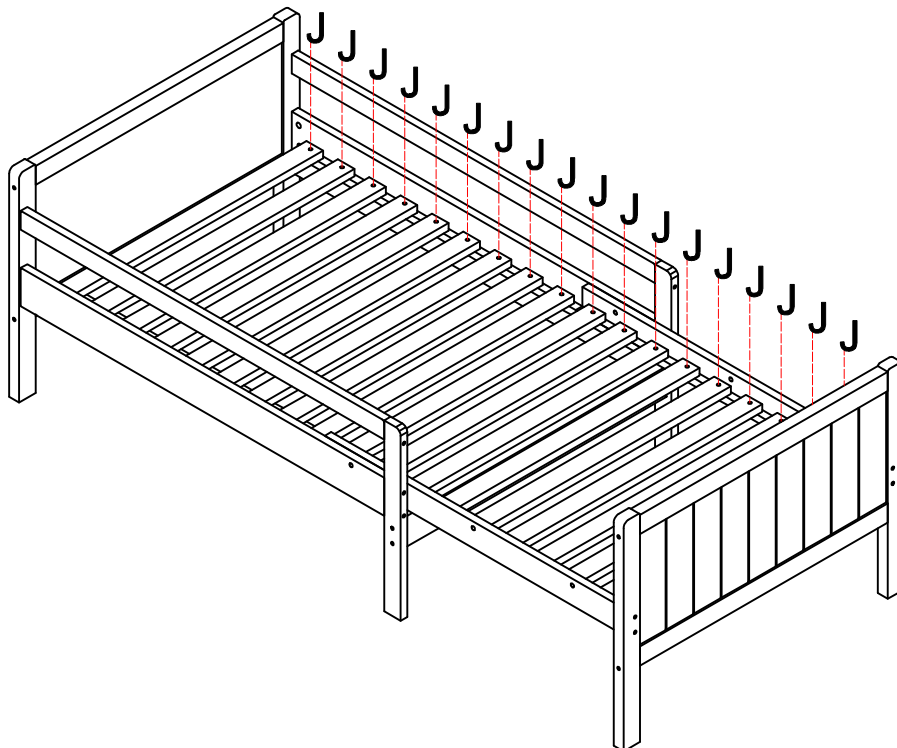



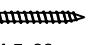
# 07



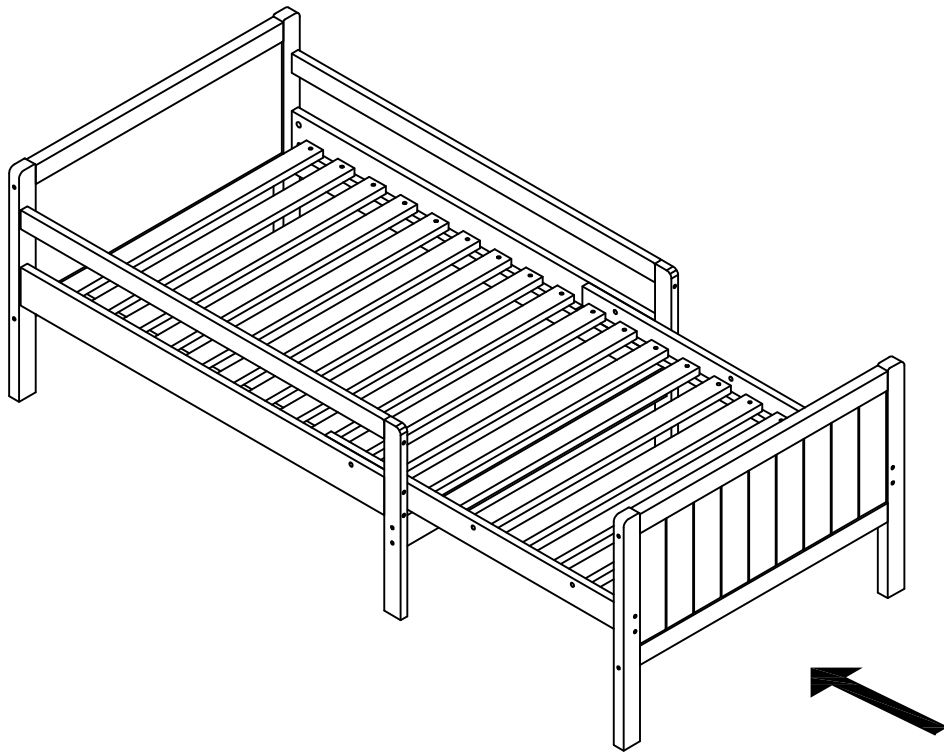
C	 	02
D	 	02

# 08

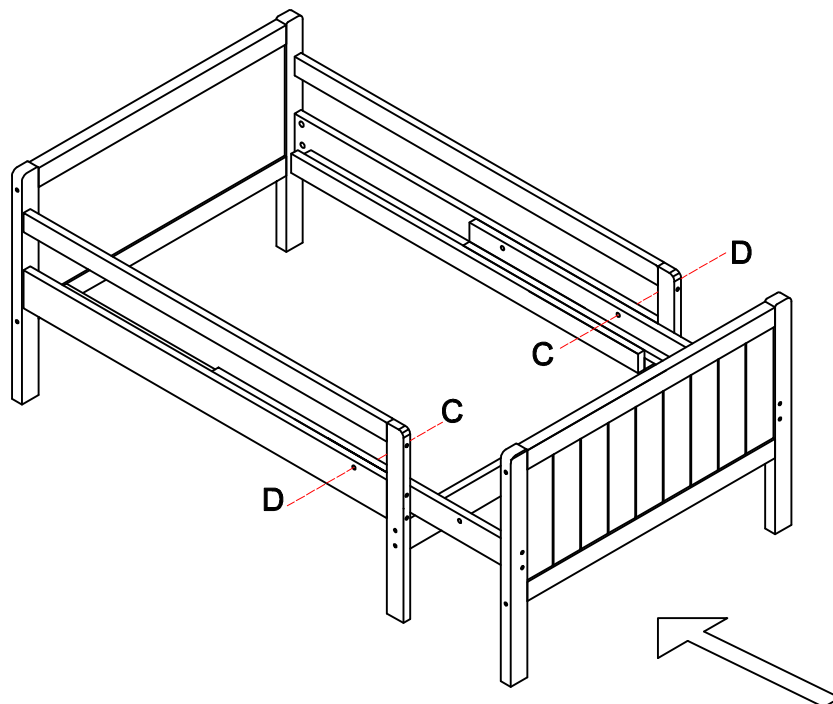


J	 	36
---	---	----

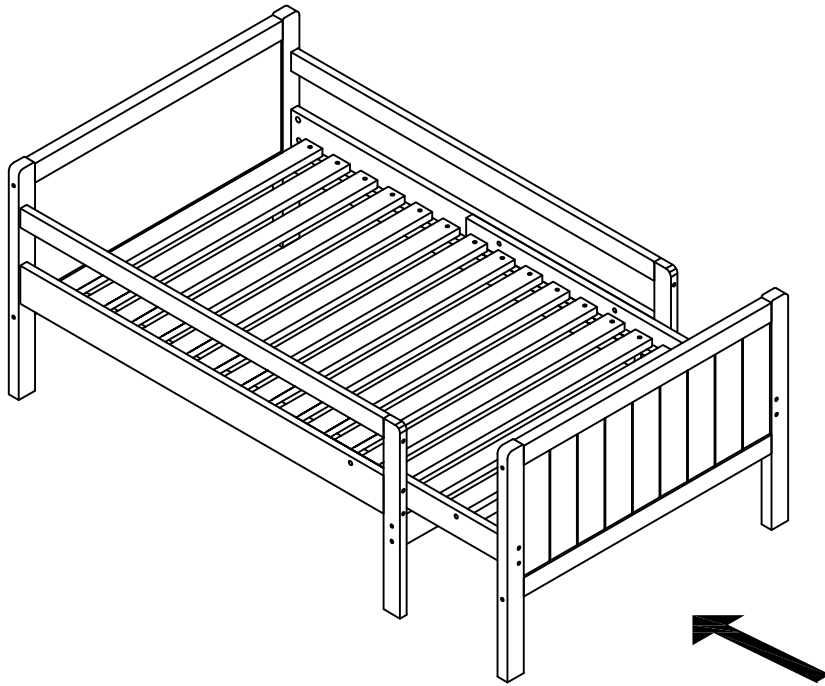
09



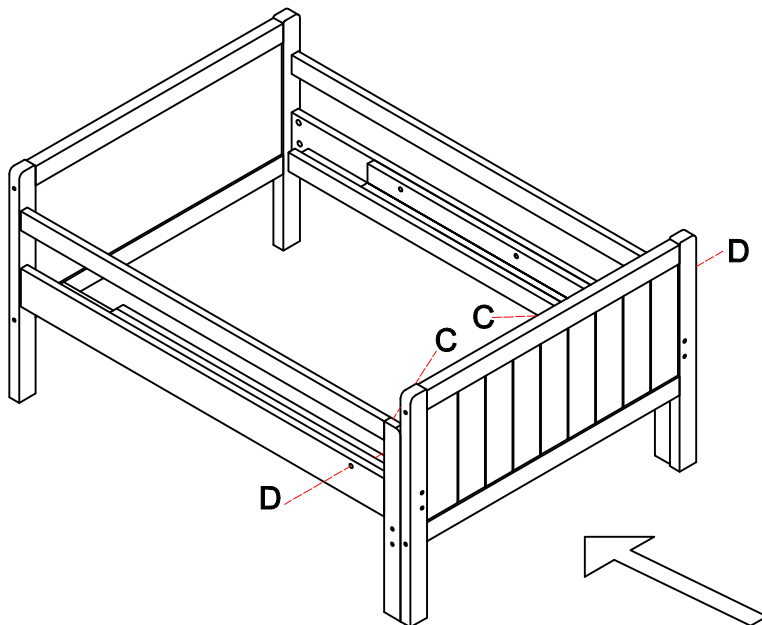
10



11



12





13

