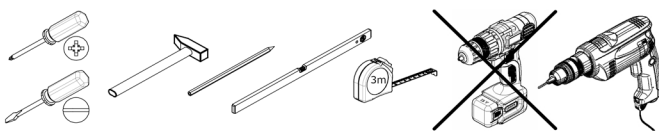
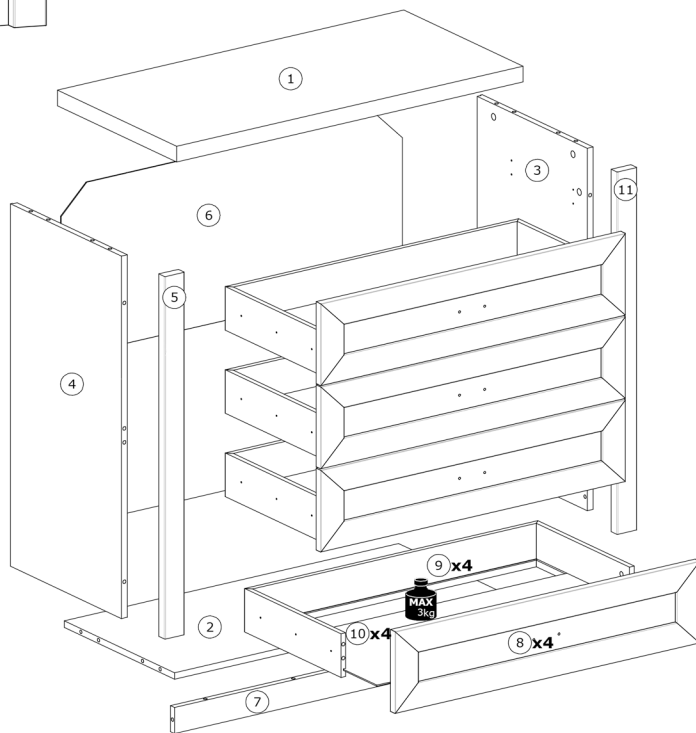
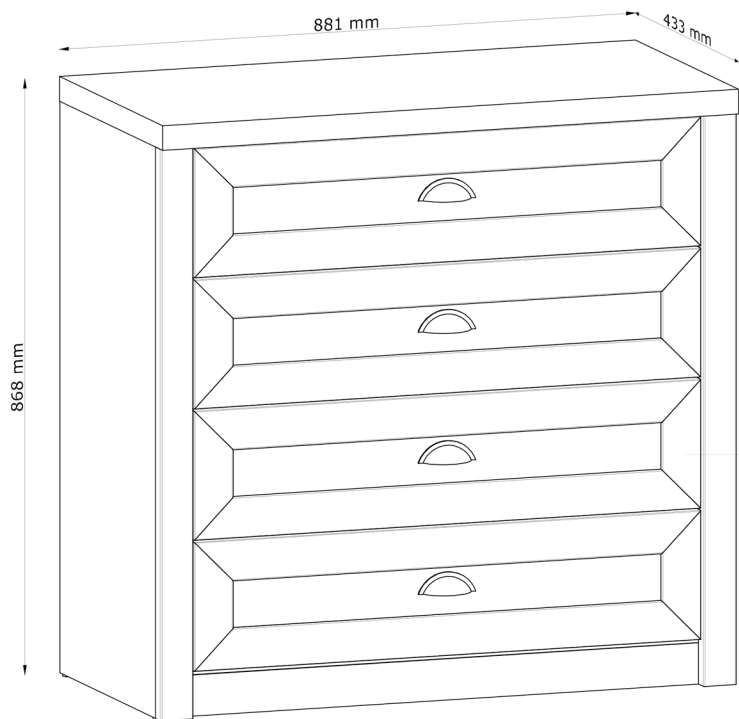
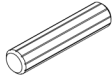




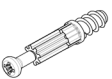
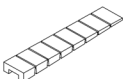
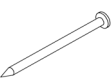
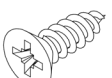
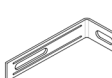

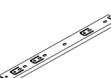






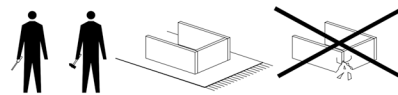
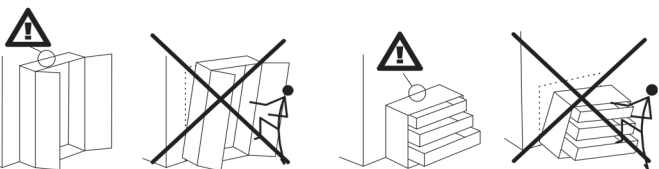
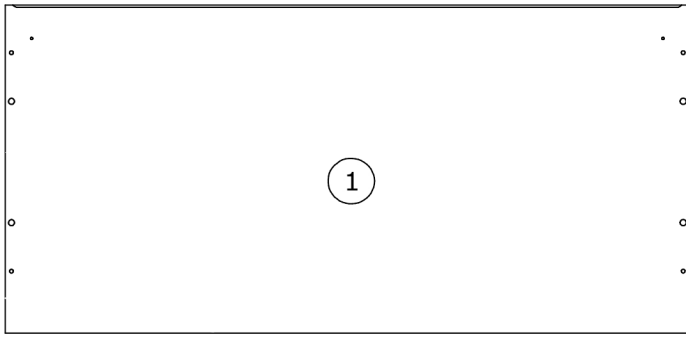


K4 SA (v.2)

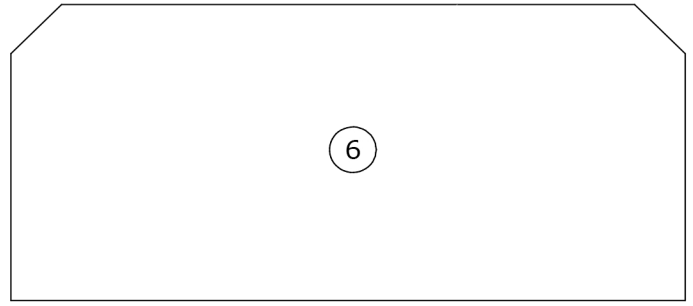


A x 24  Ø8x35mm	B x 36  Ø3,5x16mm	C x 4  Ø16mm	D x 8  Ø21mm
E x 14  Ø15x12mm	F x 22  Ø5x38mm	G x 2  100x20mm	H x 32  26mm
I x 40  Ø3,5x13mm	J x 2  76x15mm	K x 8  Ø12x10mm	L x 8  350x30x12mm
M x 1  19x40mm	N x 16  Ø4x30mm	O x 16  H=40mm	P x 8  M4x16mm
Q x 4  92x33mm	R x 4  350mm		

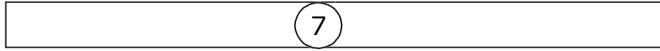




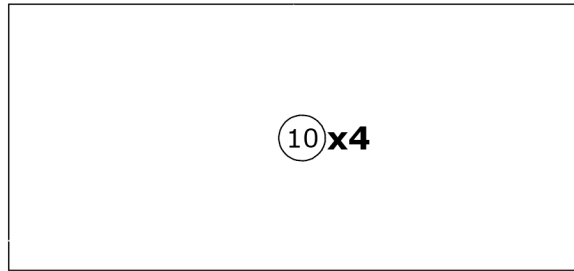
881x433x36mm



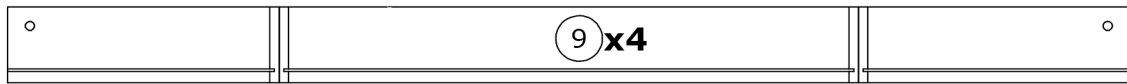
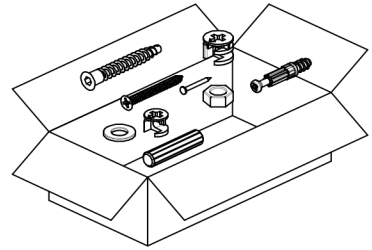
868x781x2,5mm



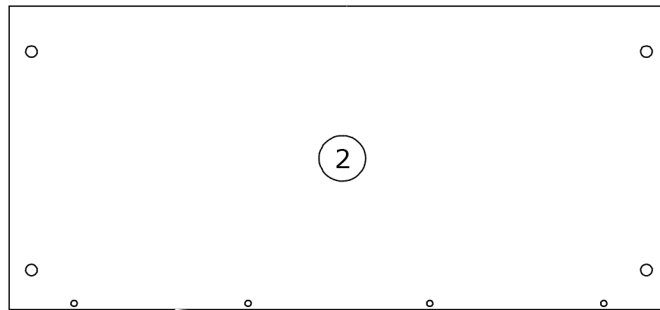
849x60x15mm



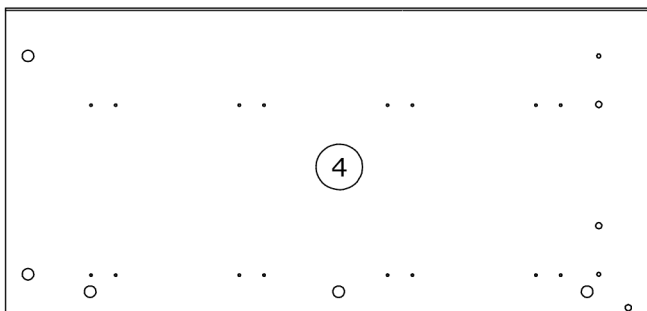
734x351x2,5mm



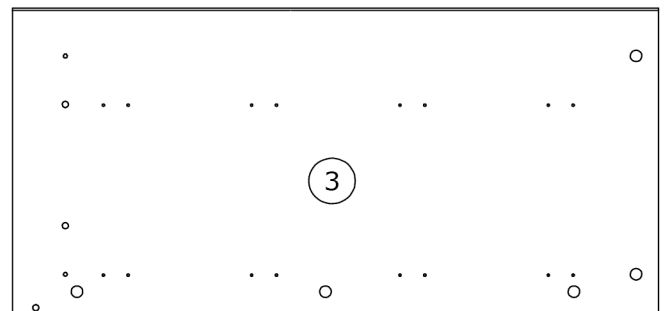
1446x100x12mm



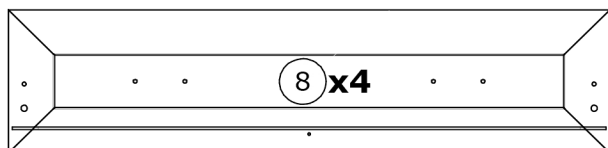
850x400x15mm



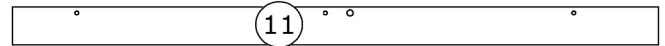
832x403x15mm



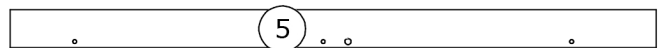
832x403x15mm



775x189x18mm

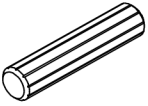
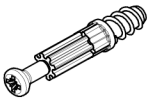

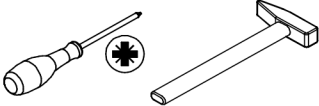


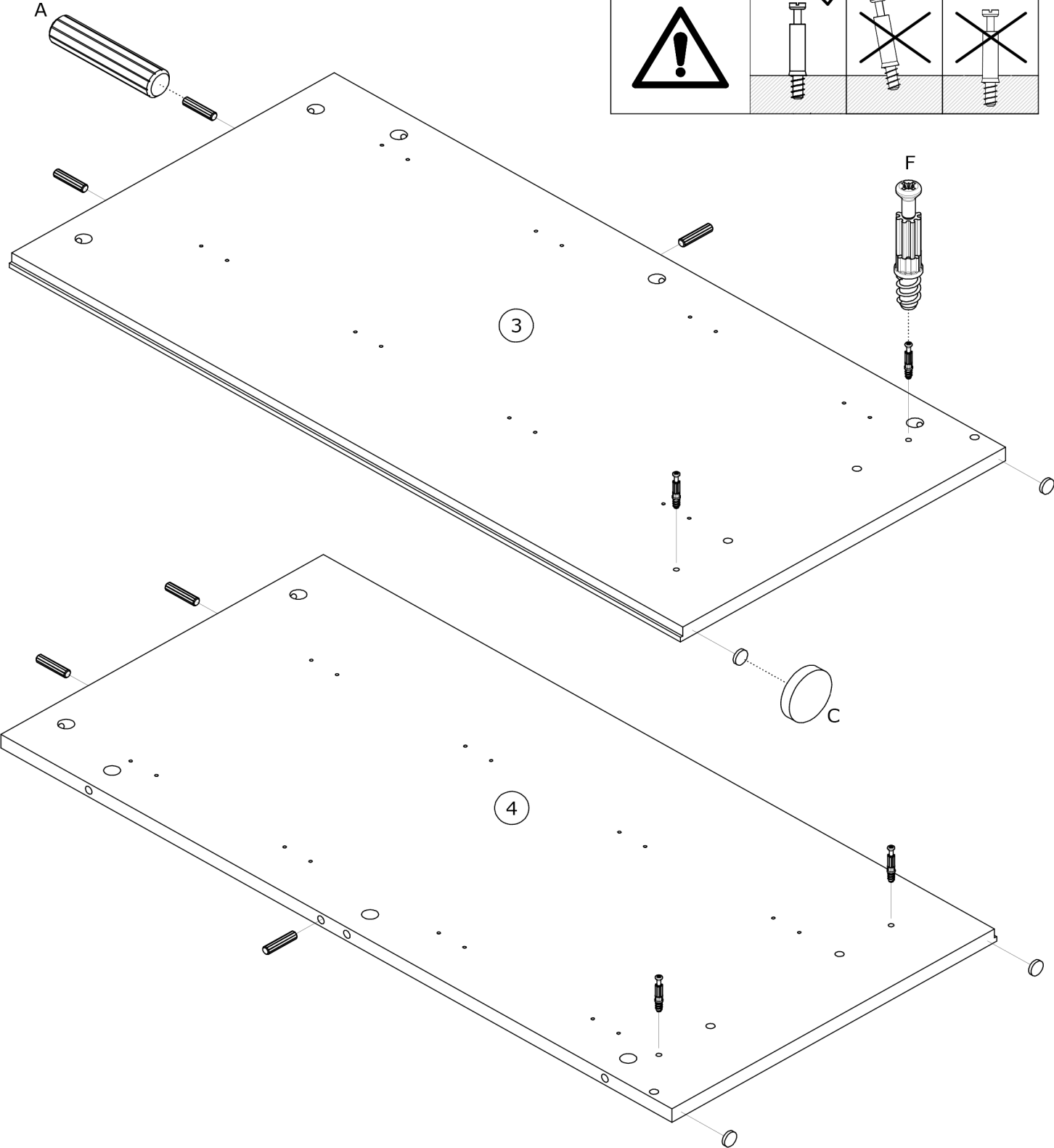
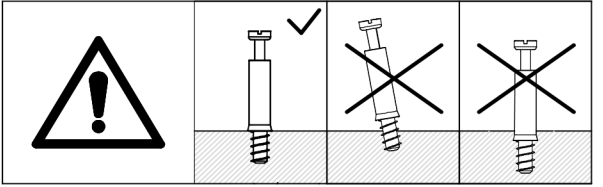
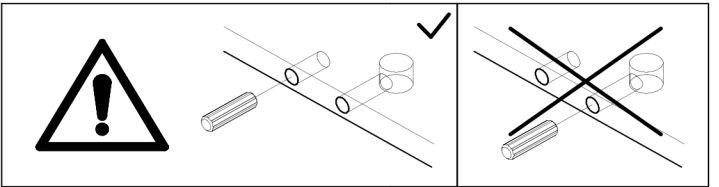
832x50x22mm



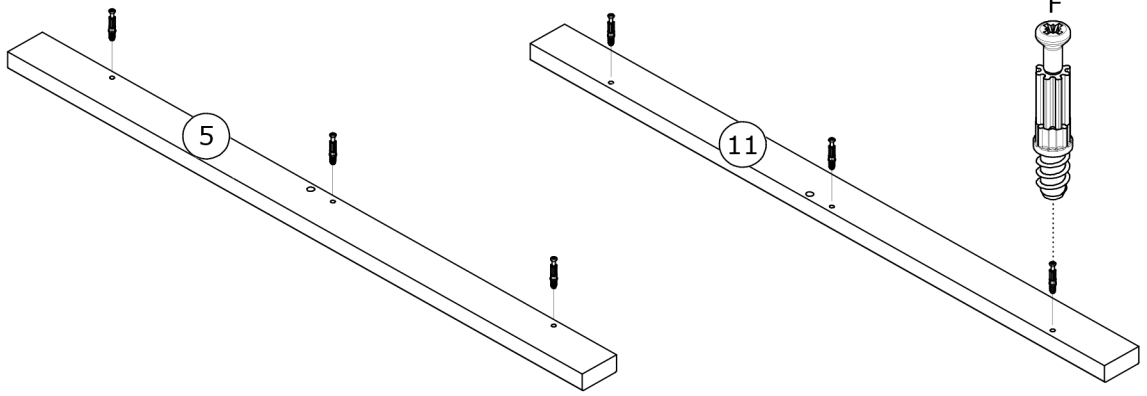
832x50x22mm

1

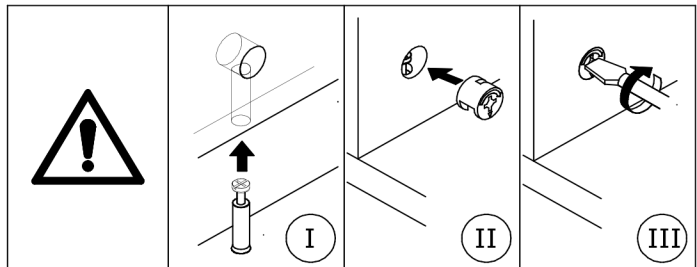
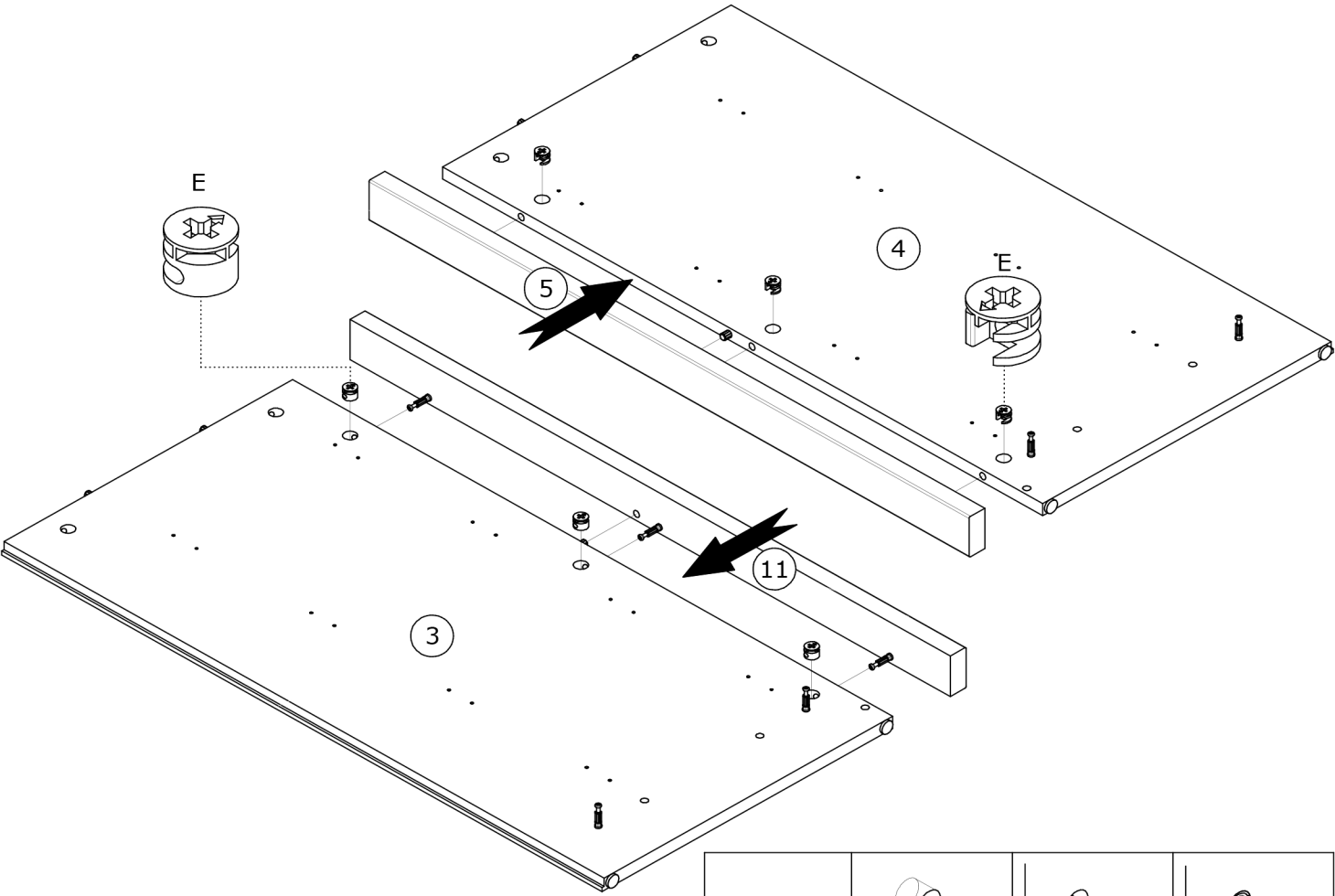
<p>Ax6 Ø8x35mm</p> 	<p>Fx4 Ø5x38mm</p> 	<p>Cx4 Ø16mm</p> 	
---	---	---	--




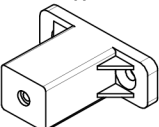
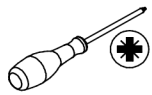
2

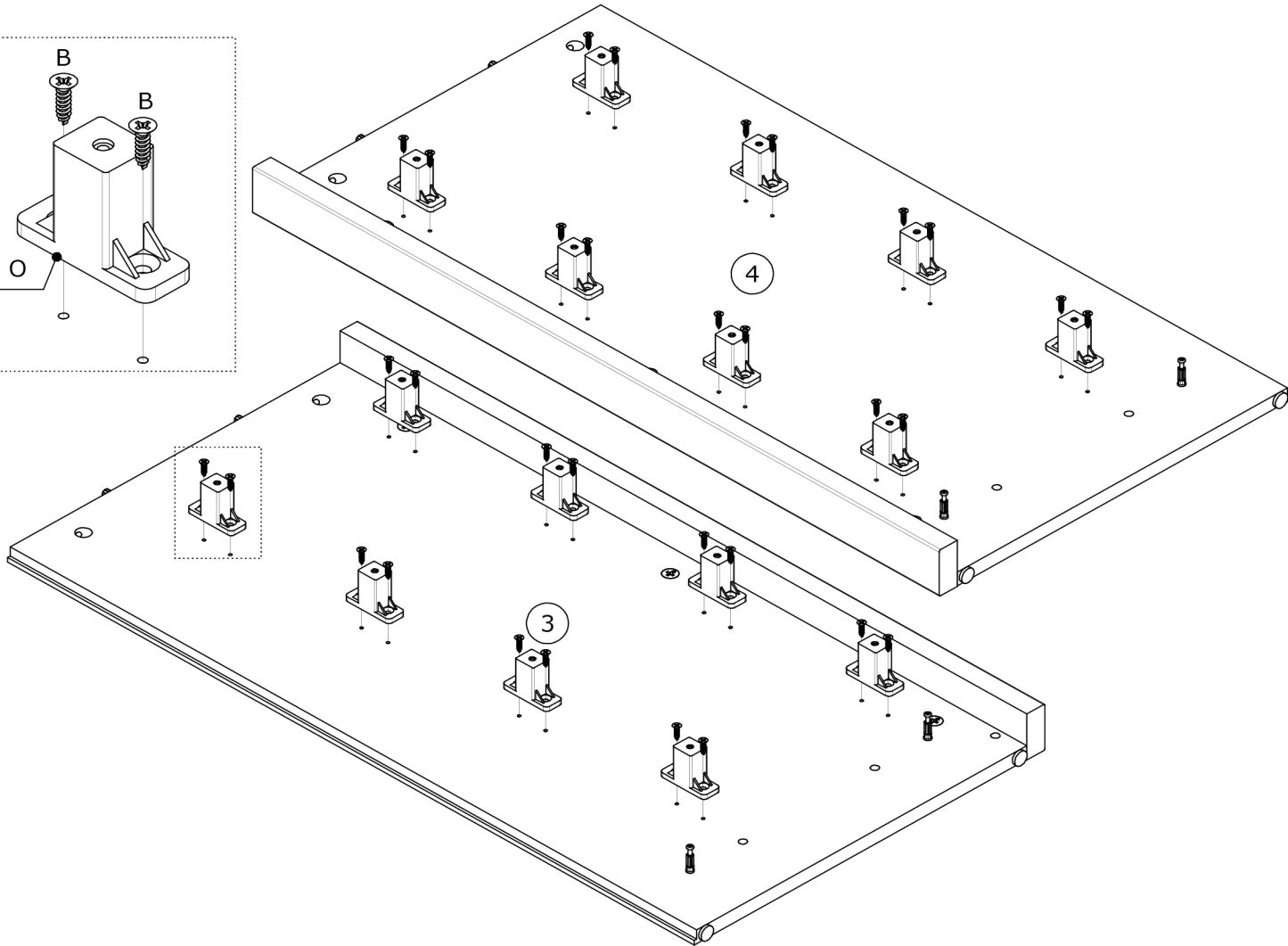
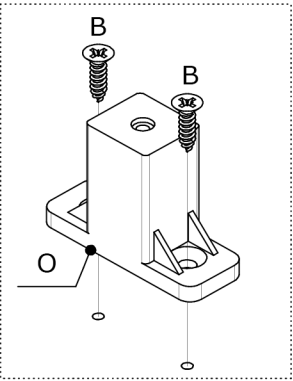


3



4

<p>Bx32</p>  <p>Ø3,5x16mm</p>	<p>Ox16</p>  <p>H=40mm</p>	
---	--	--

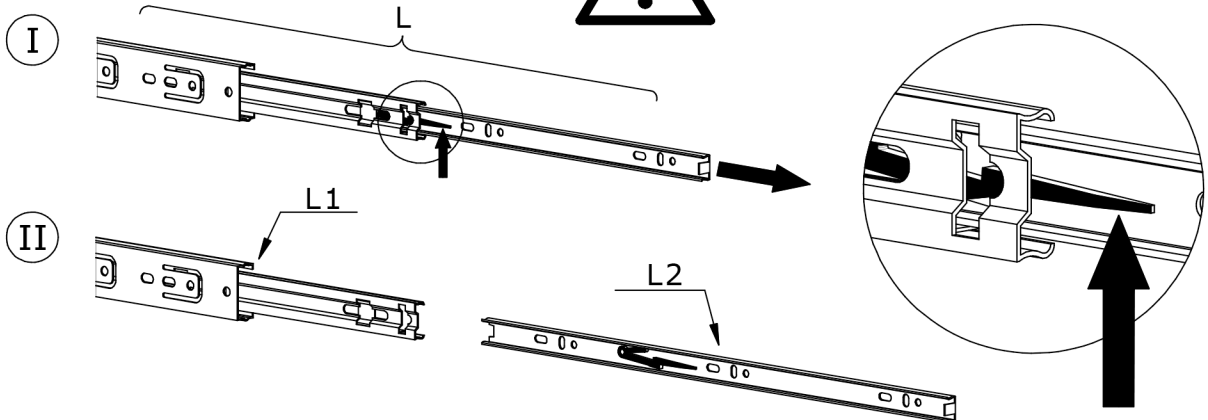


5

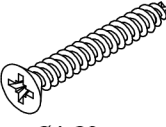
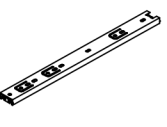
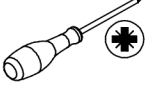
<p>Lx8</p>  <p>350x30x12mm</p>	
---	--

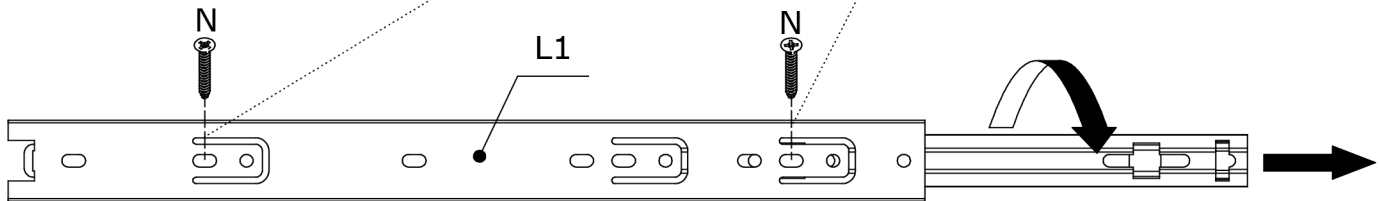
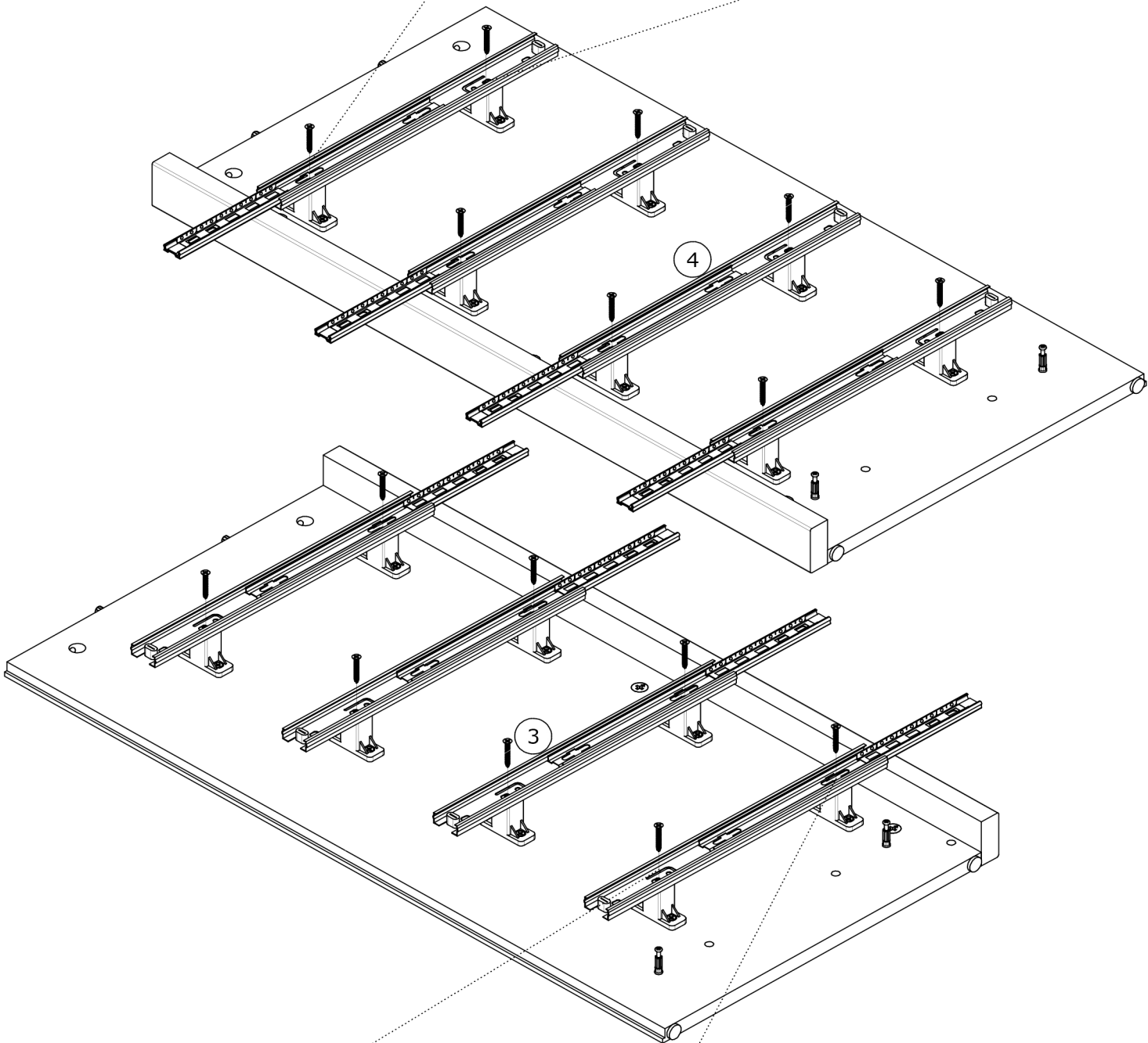
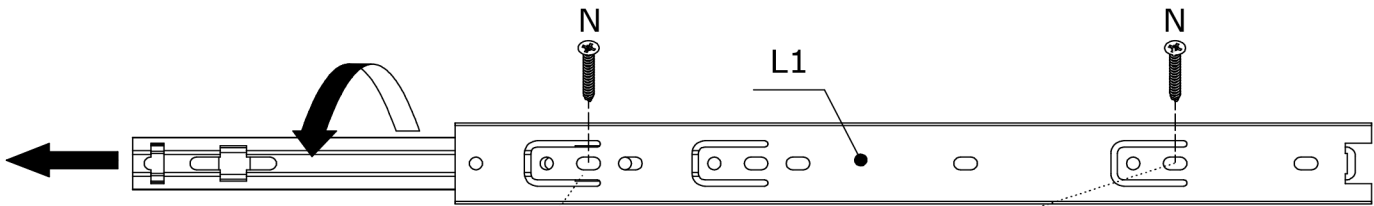


$L = L1 + L2$



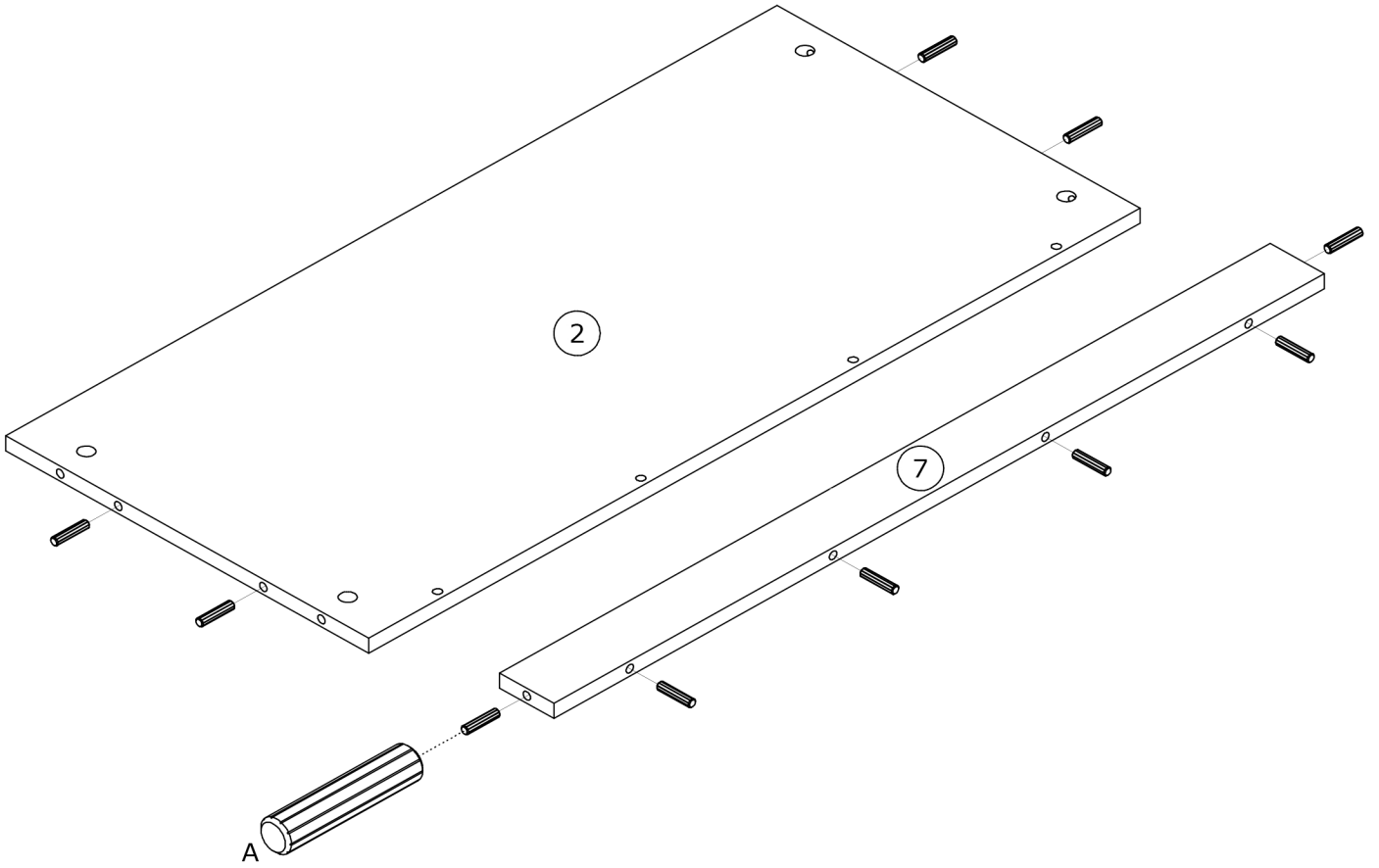
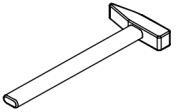
6

<p>Nx16</p>  <p>Ø4x30mm</p>	<p>L1x8</p>  <p>350x30x12mm</p>	
---	---	--

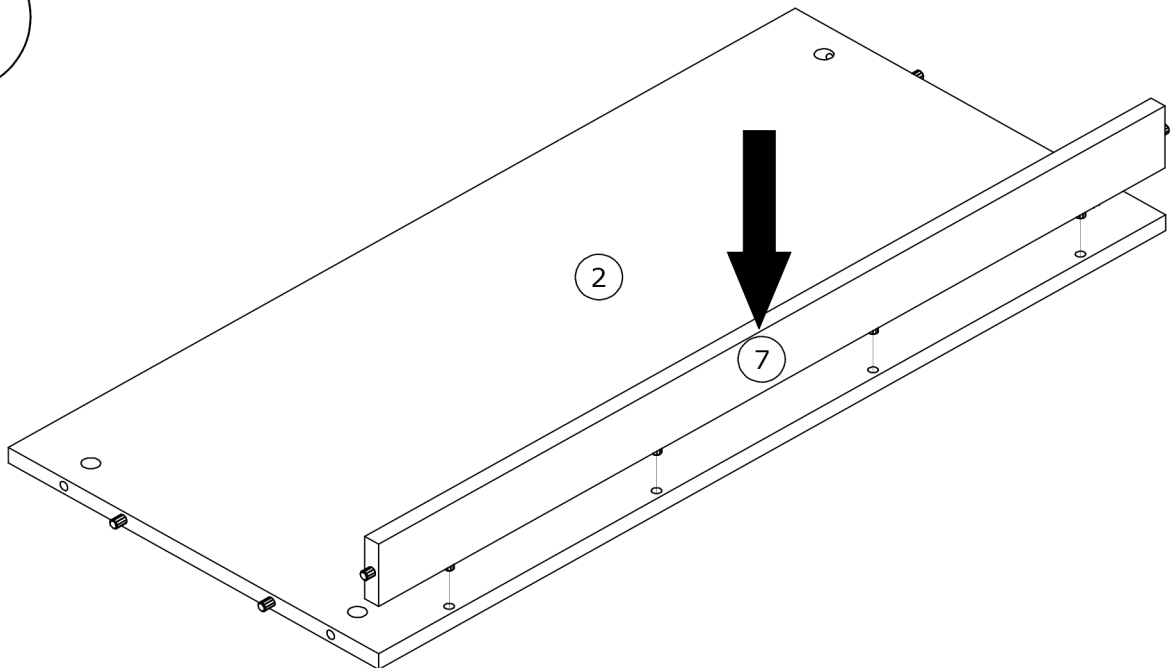


7

Ax10
Ø8x35mm

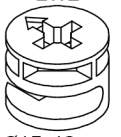


8

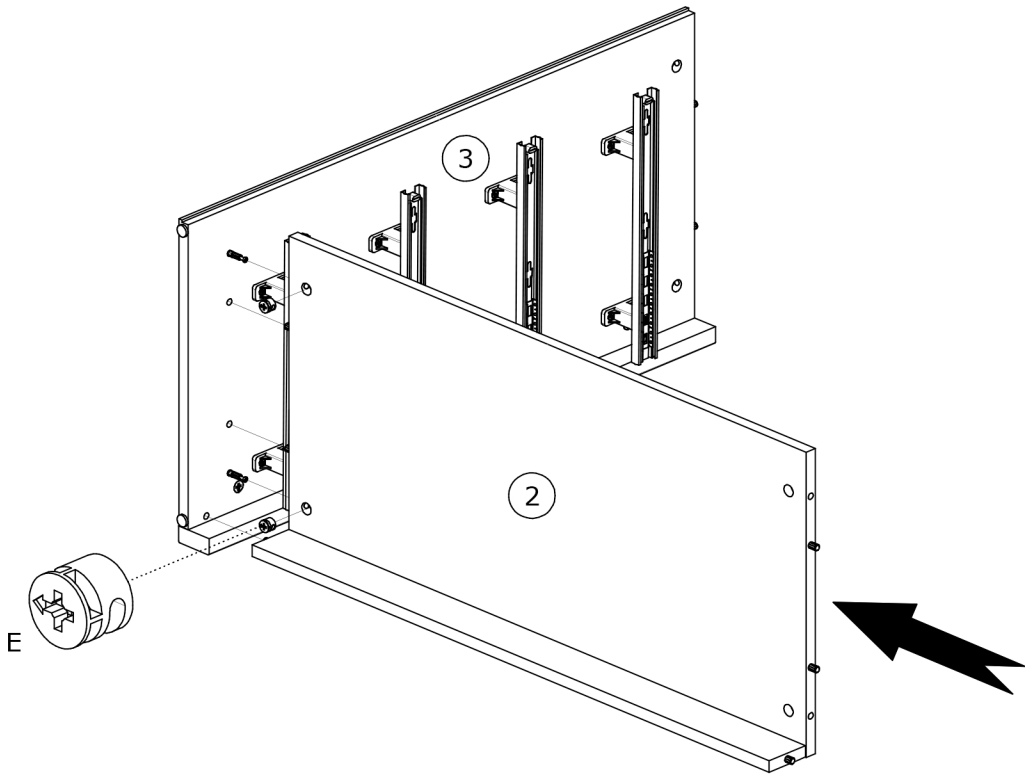
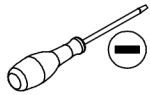


9

Ex2

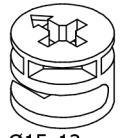


Ø15x12mm

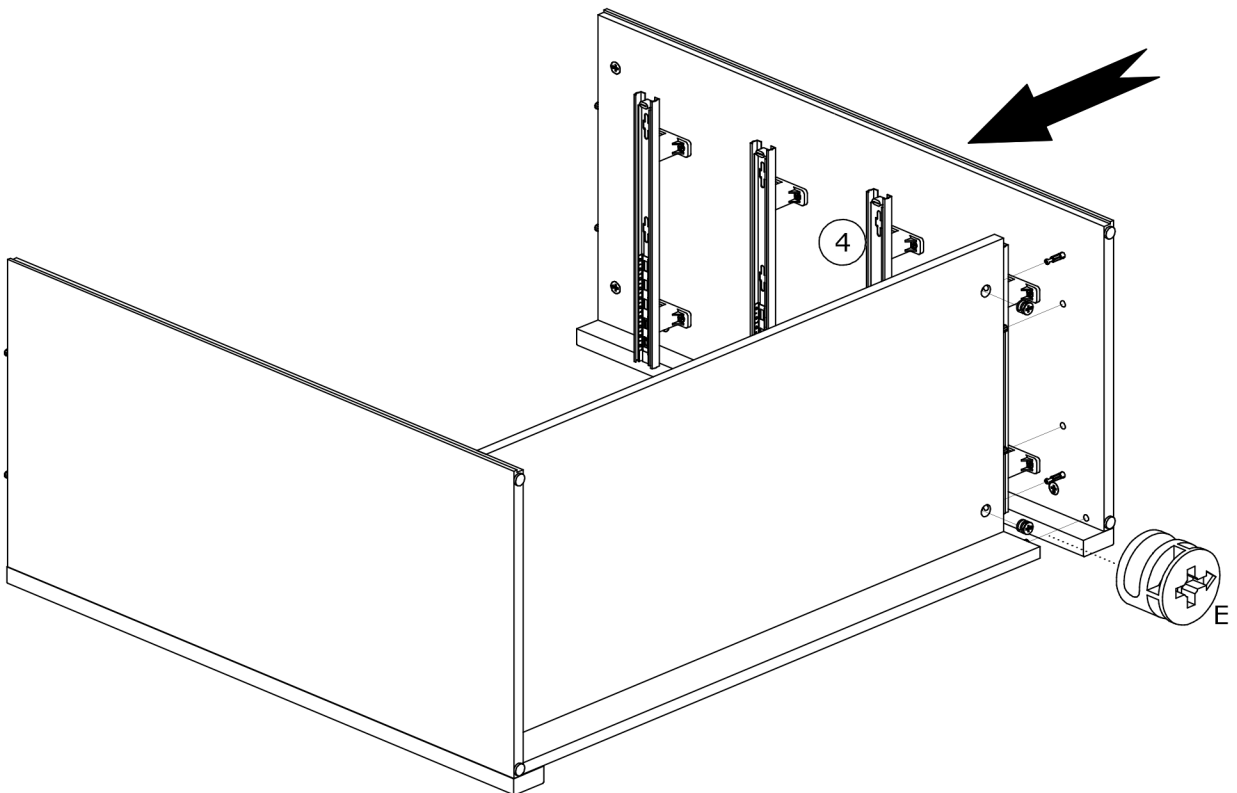
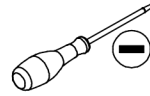


10

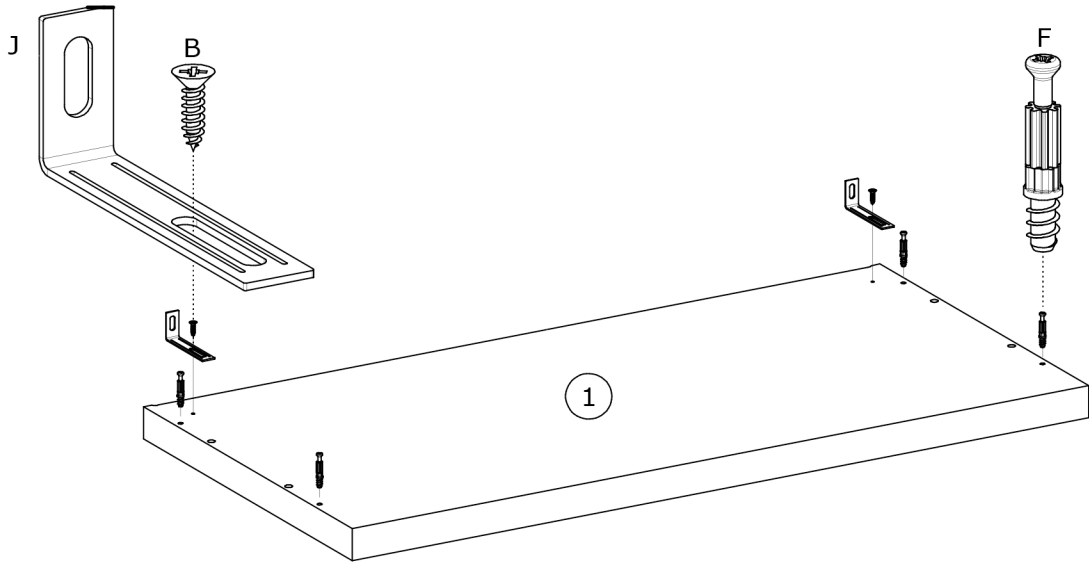
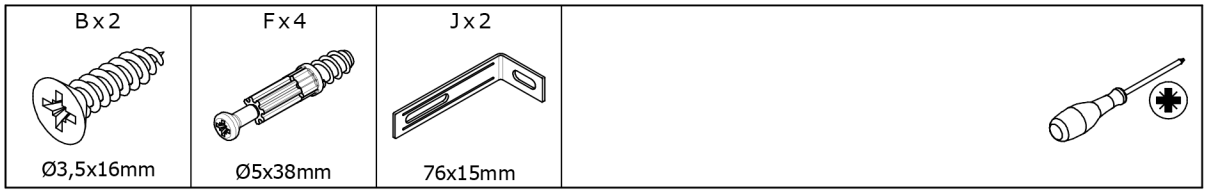
Ex2



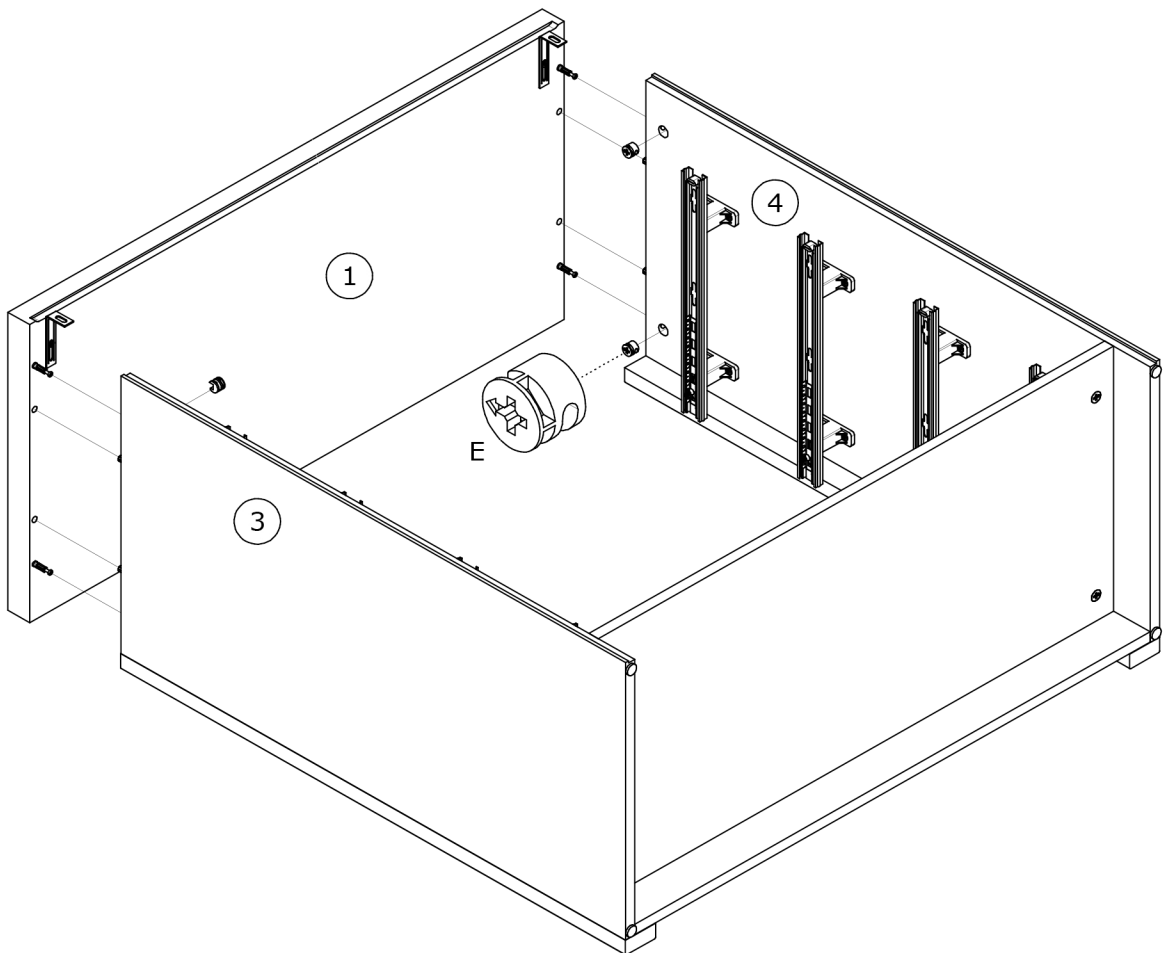
Ø15x12mm



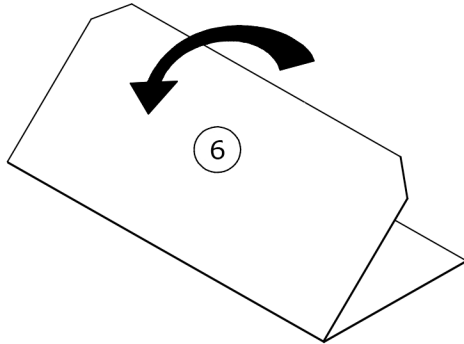
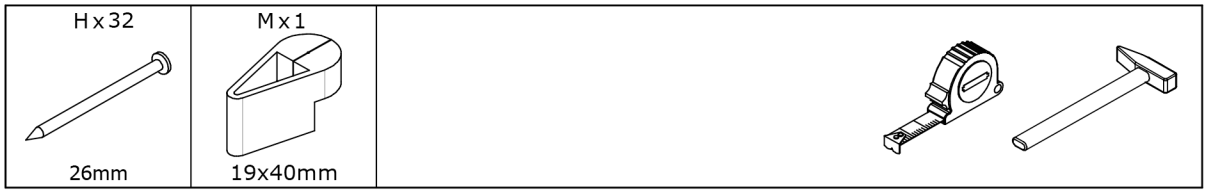
11




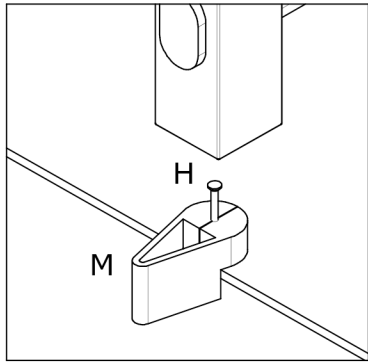
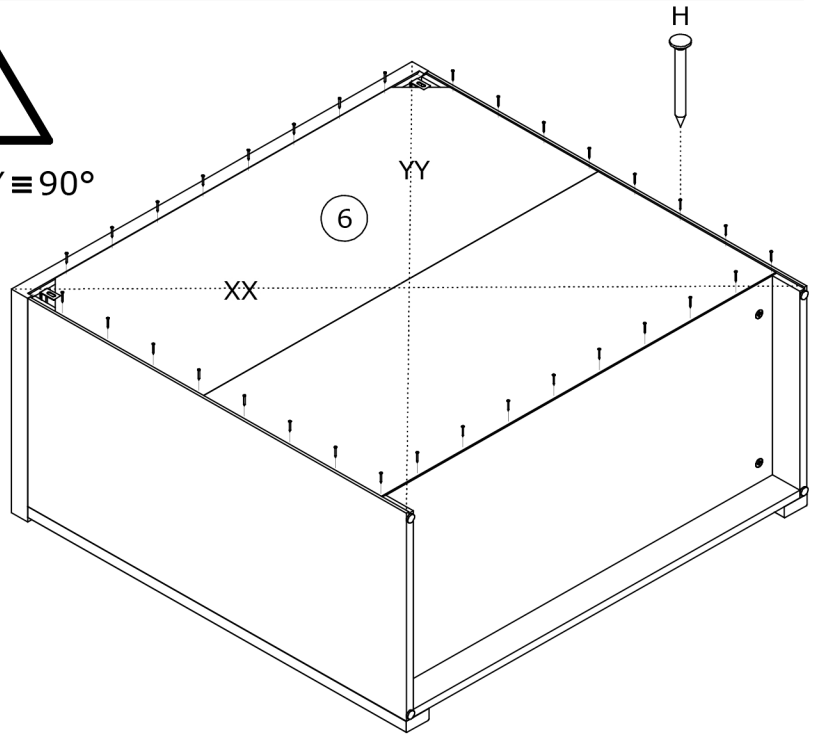
12



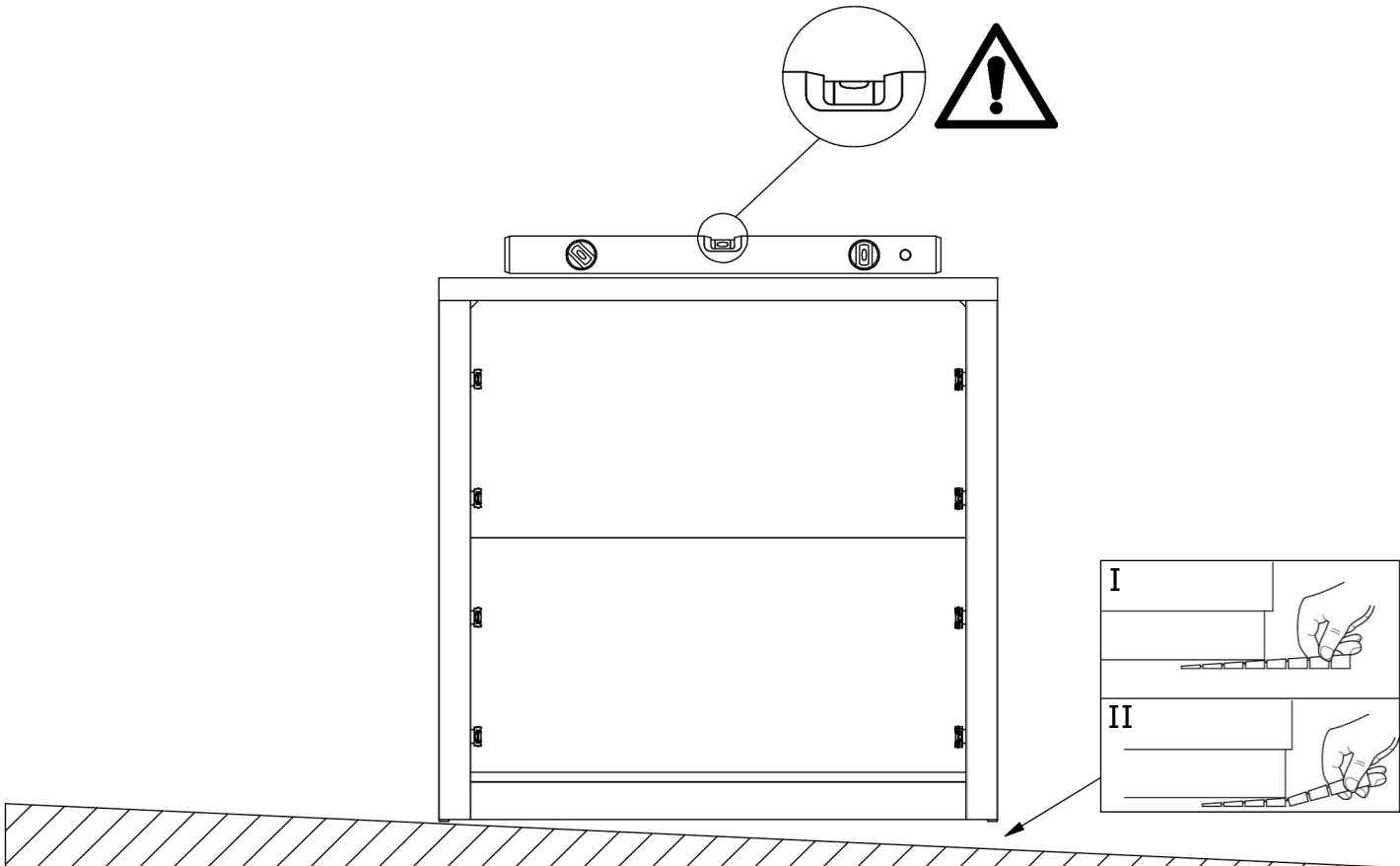
13




 $XX = YY \cong 90^\circ$




14



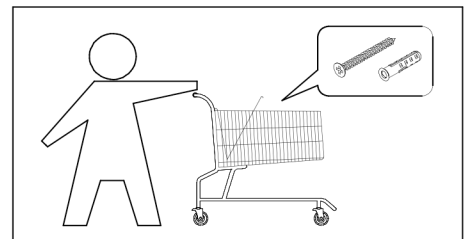
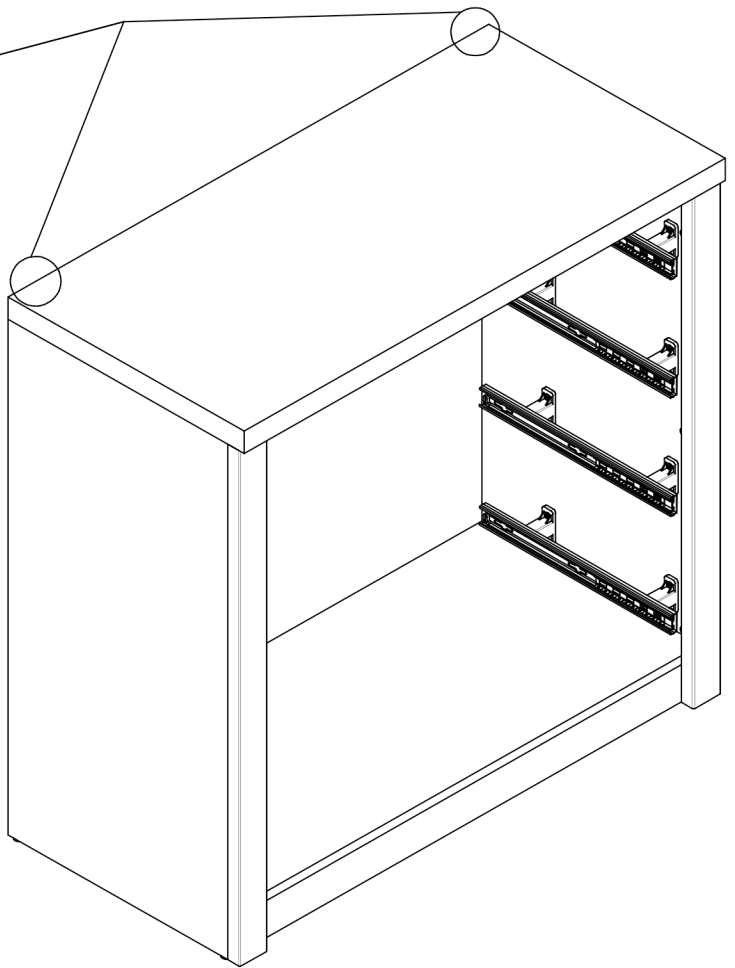
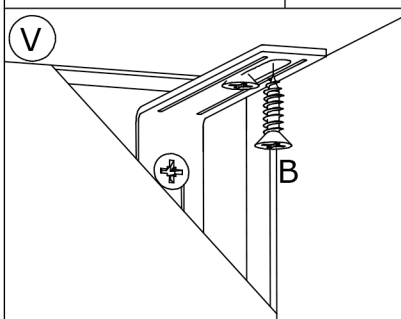
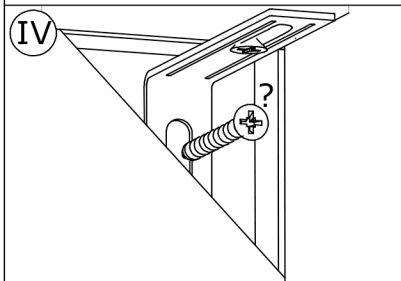
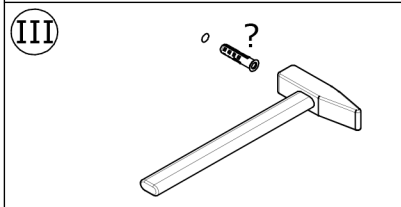
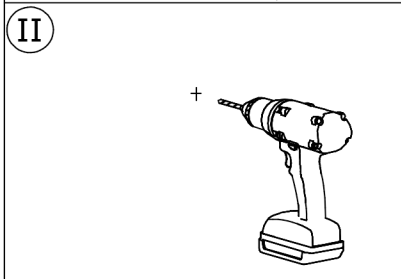
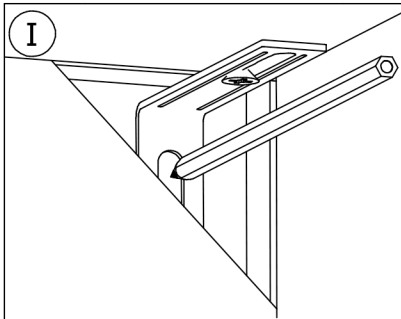
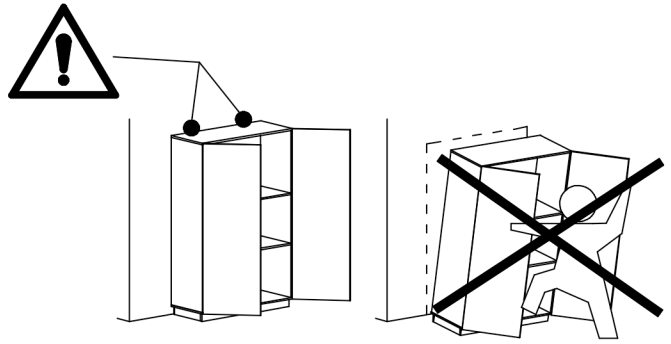
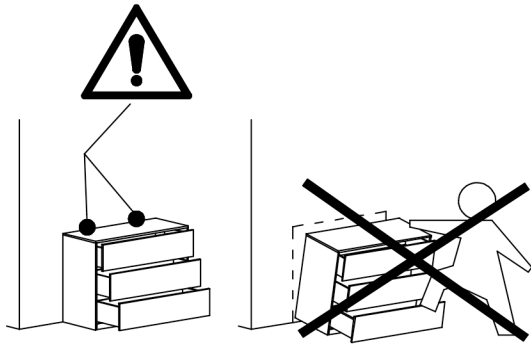
15

B x 2

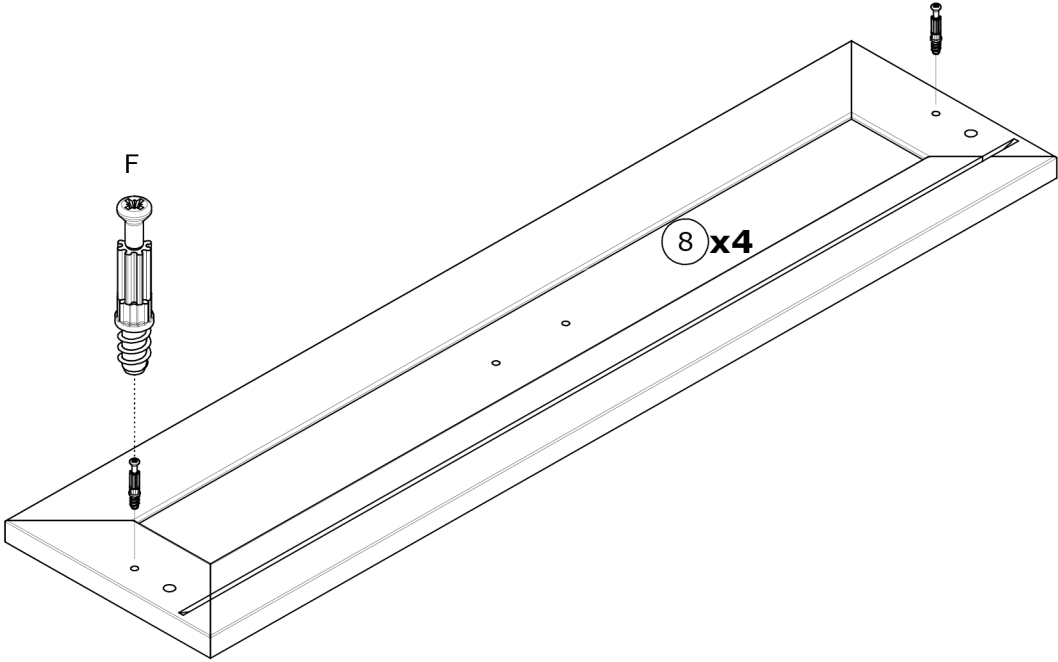


Ø3,5x16mm

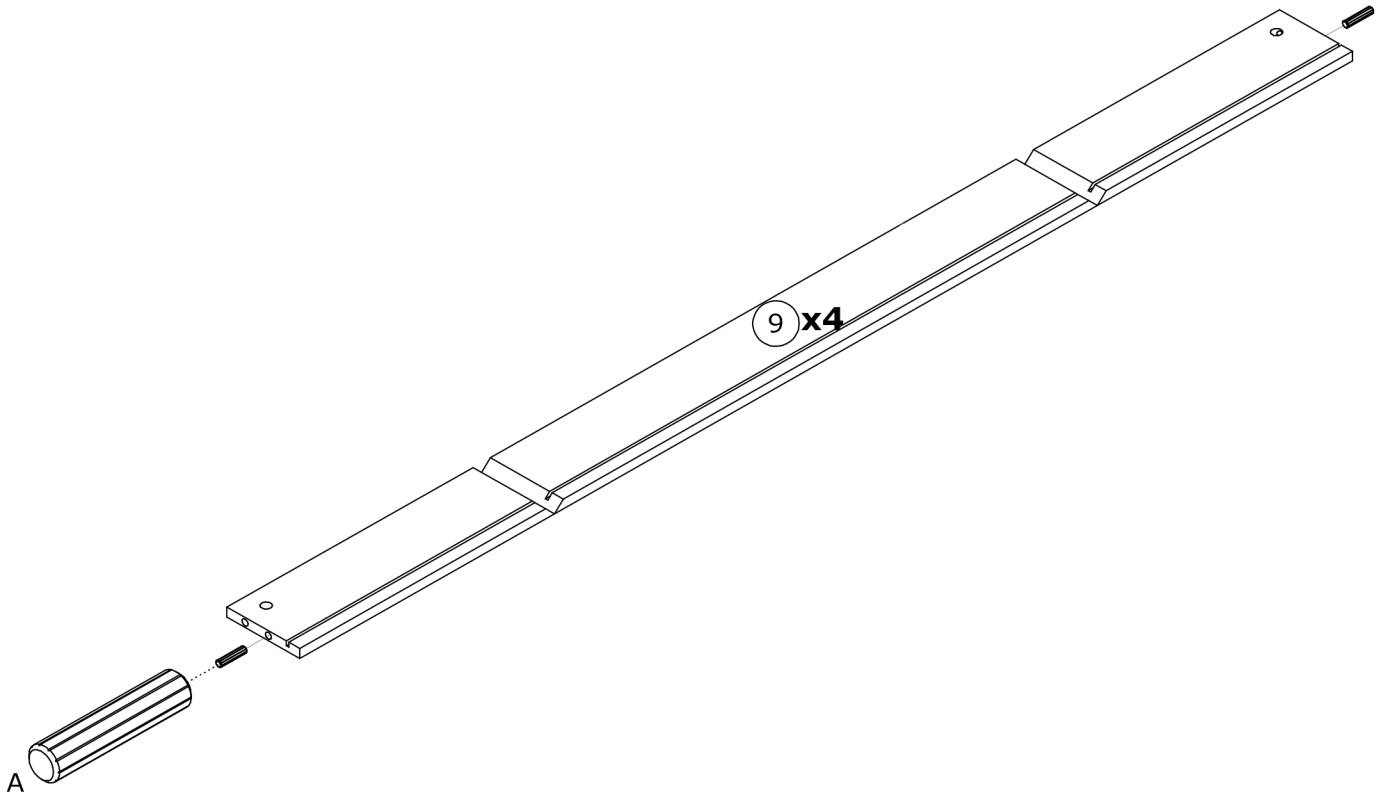
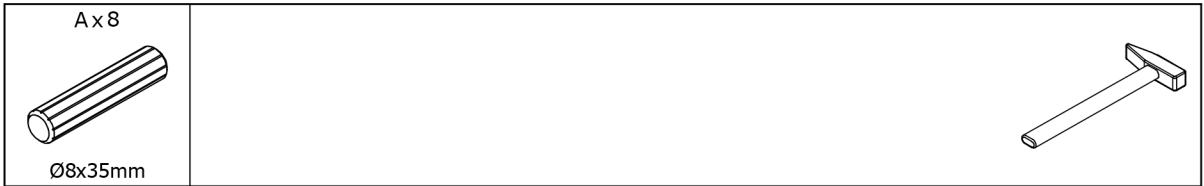
The top header contains a list of parts and tools. On the left, a screw is shown with the label 'B x 2' and 'Ø3,5x16mm'. To the right, there are illustrations of a screwdriver, a pencil, a wooden mallet, and a power drill.



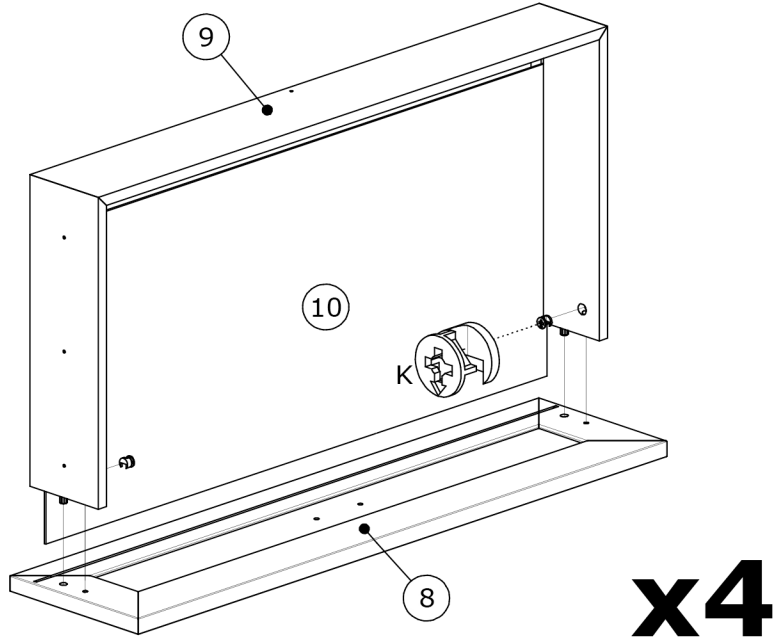
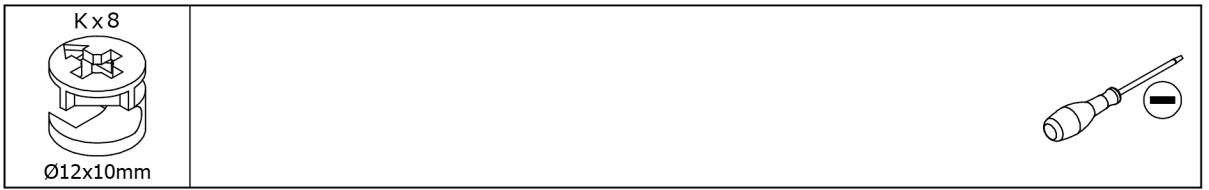
16



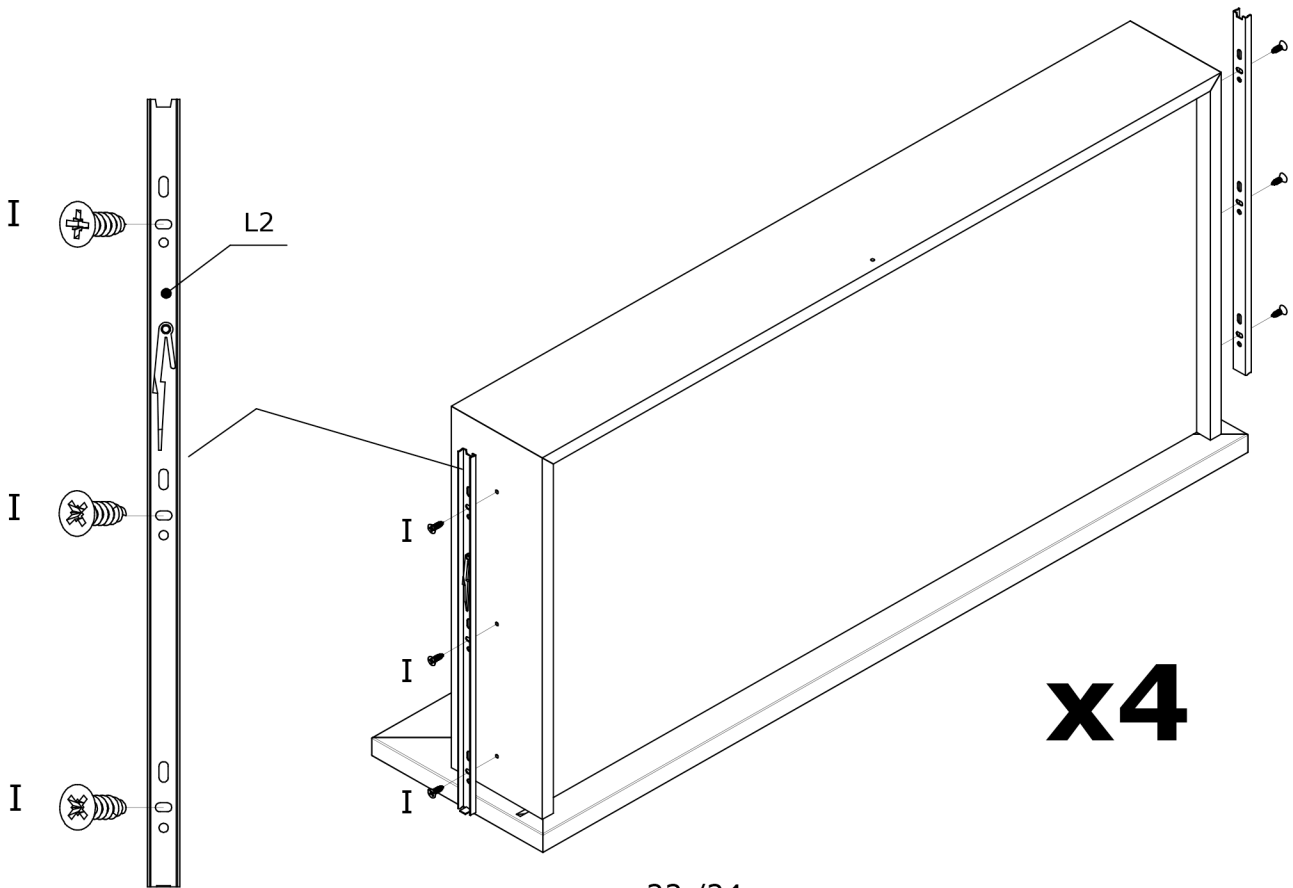
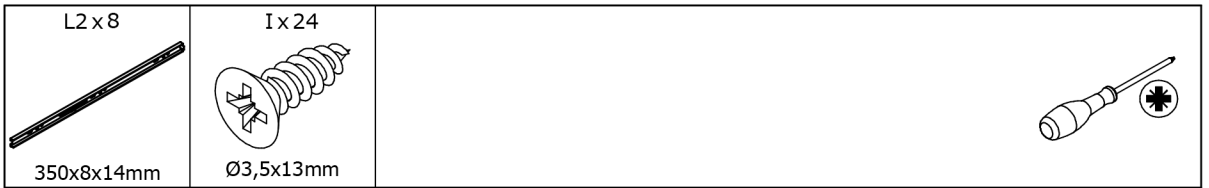
17



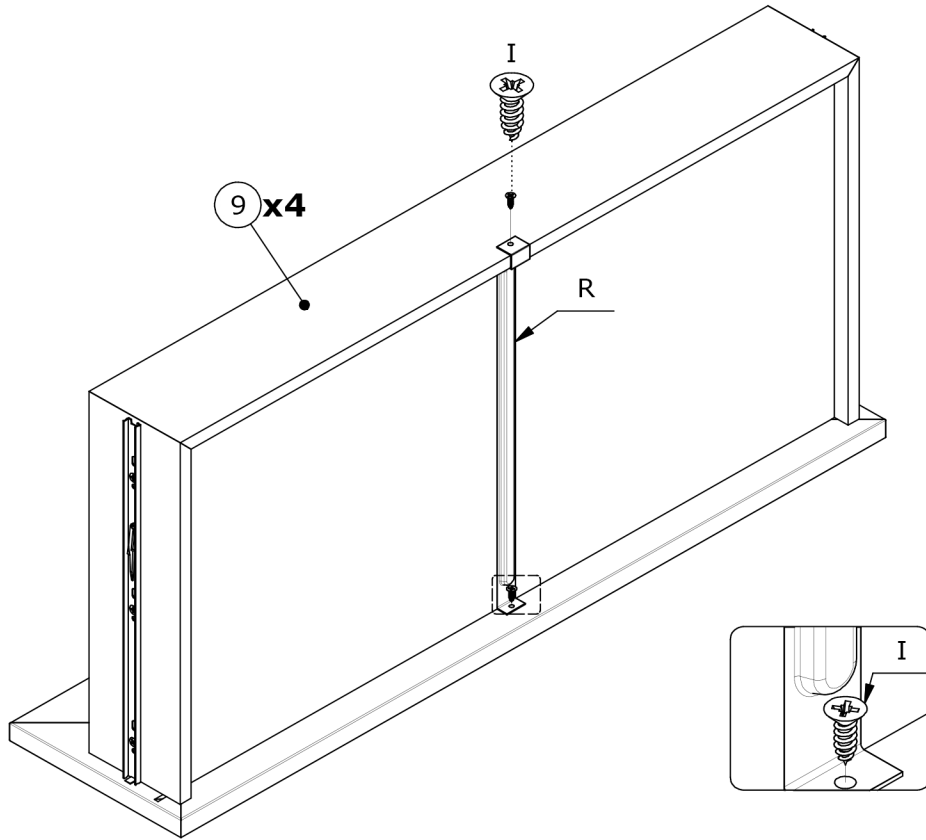
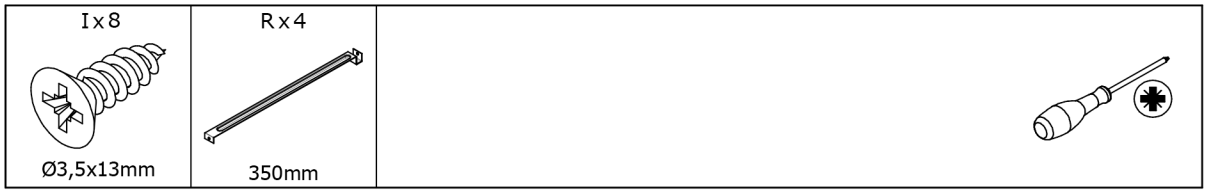
18



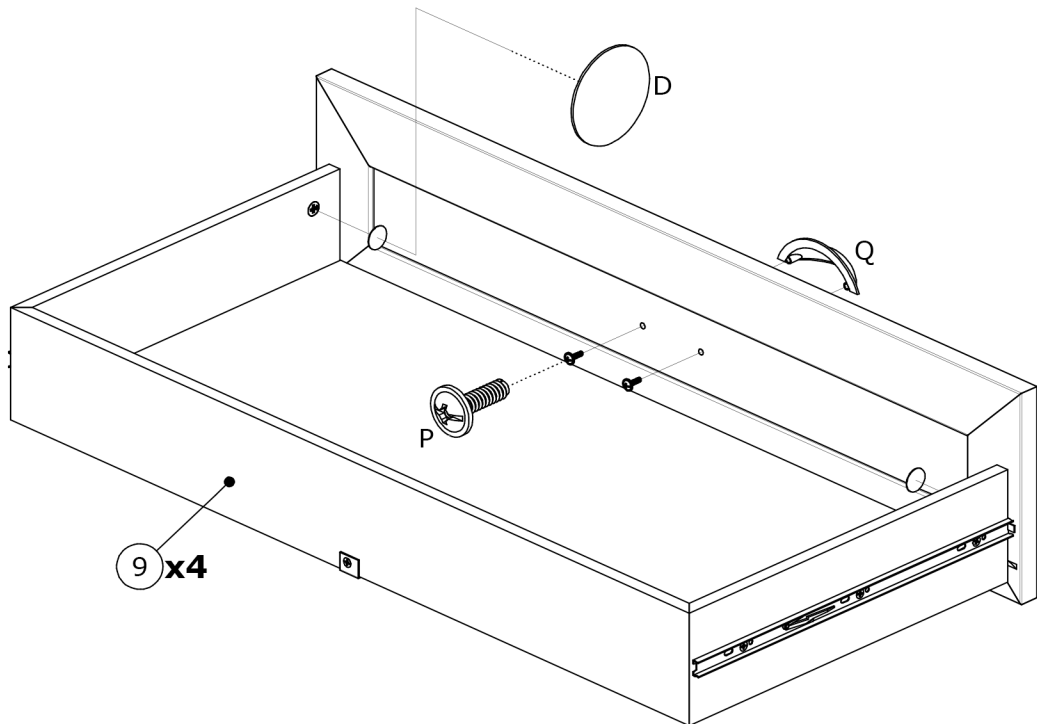
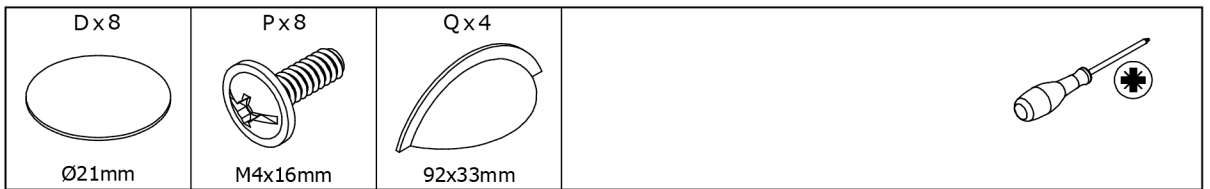
19



20

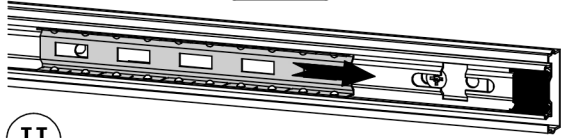


21

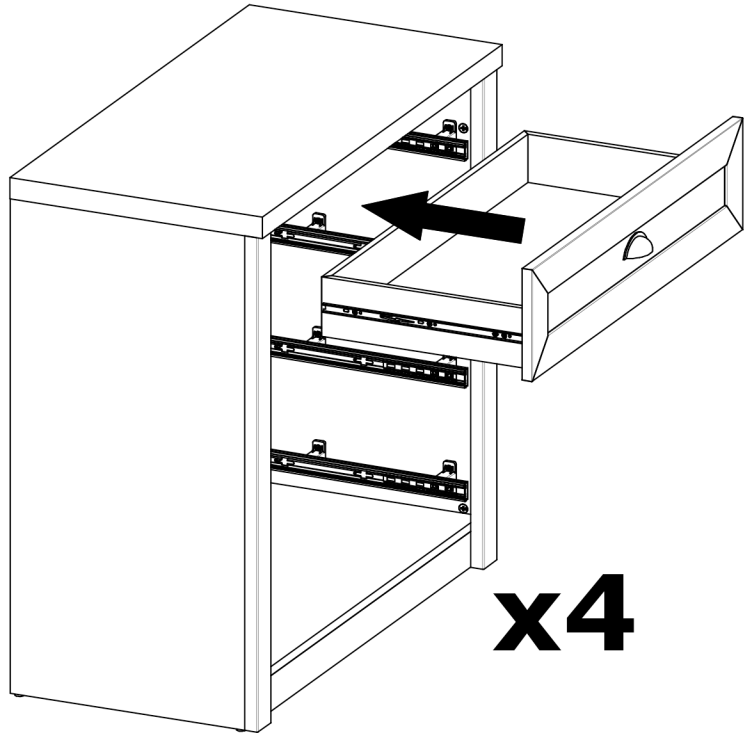
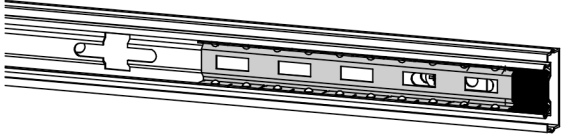


22

I

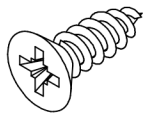


II

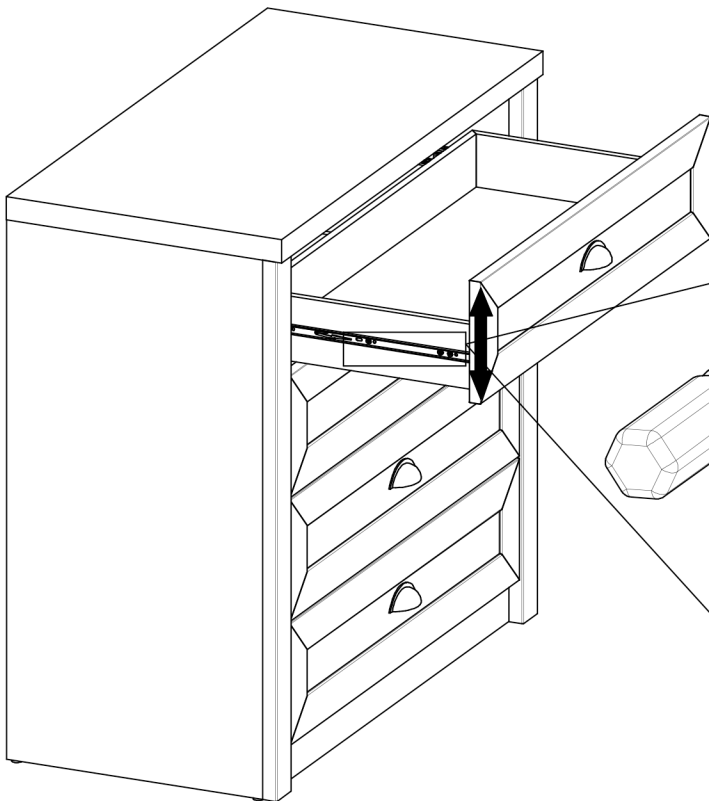
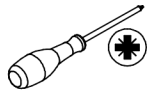


23

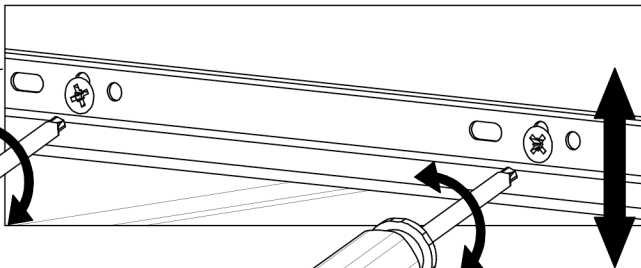
1x8



Ø3,5x13mm



I



II

