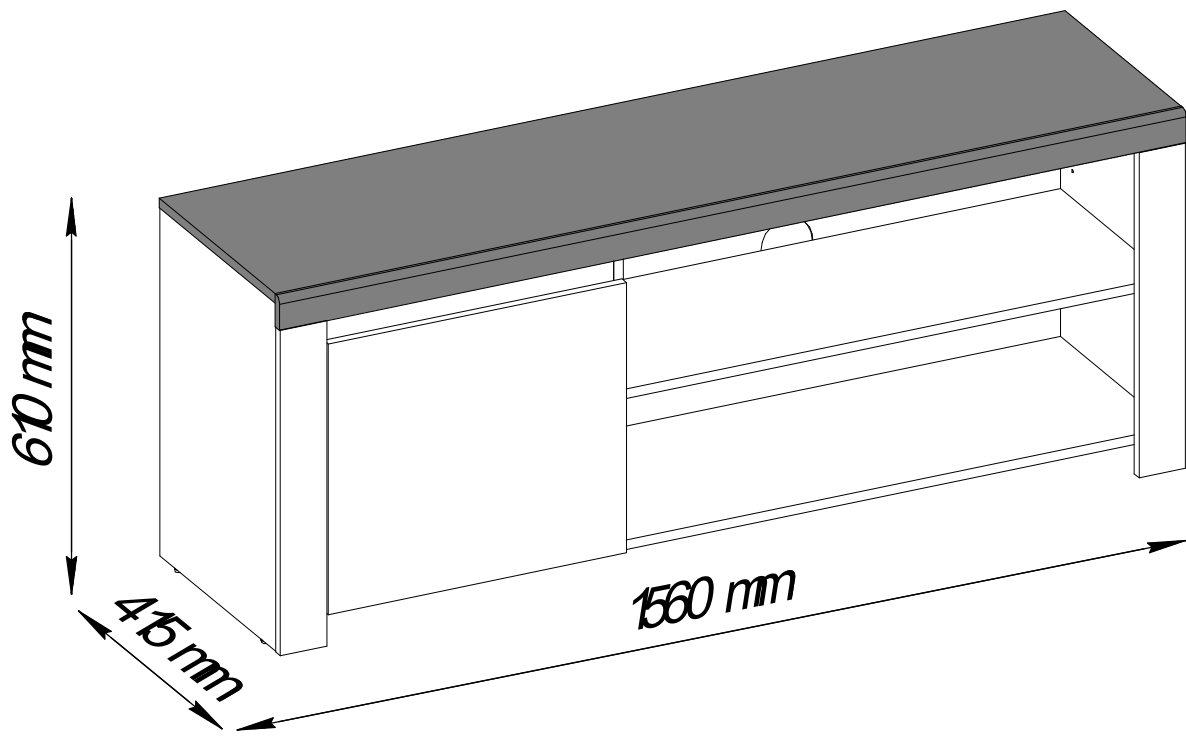
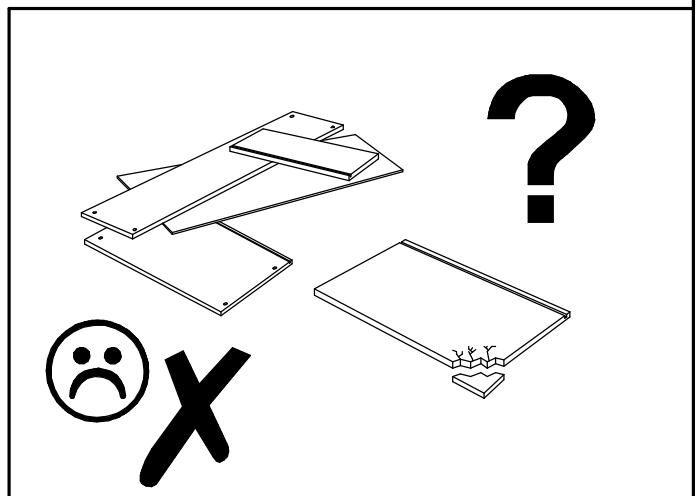
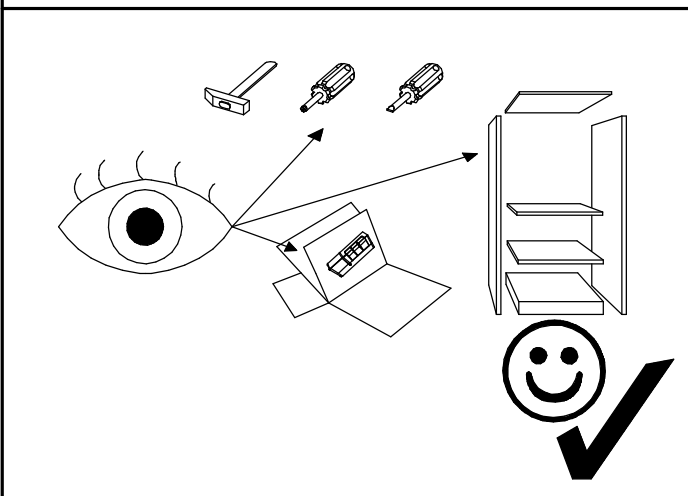
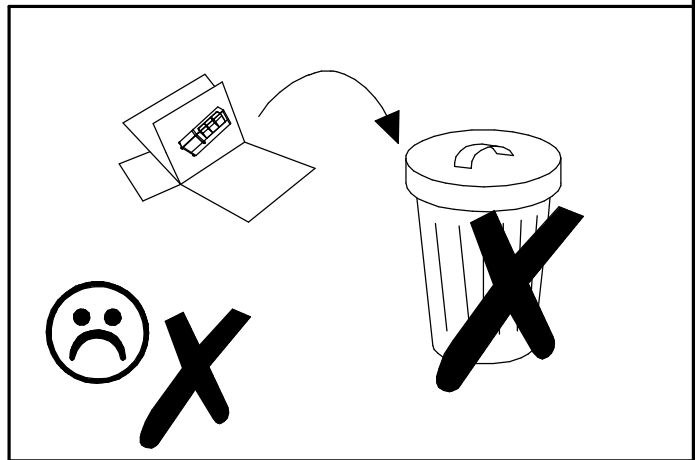
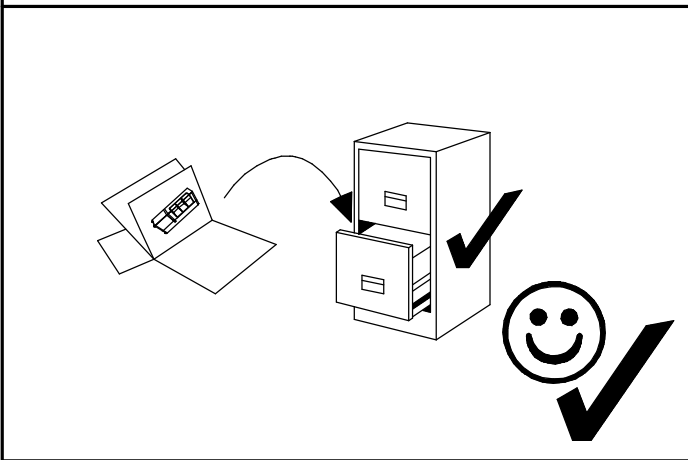
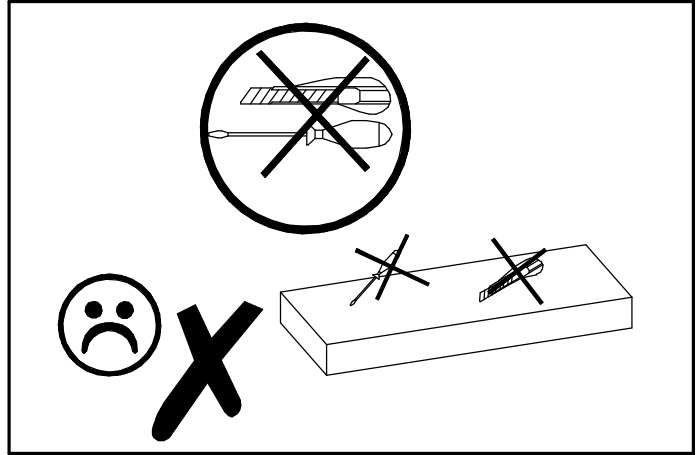
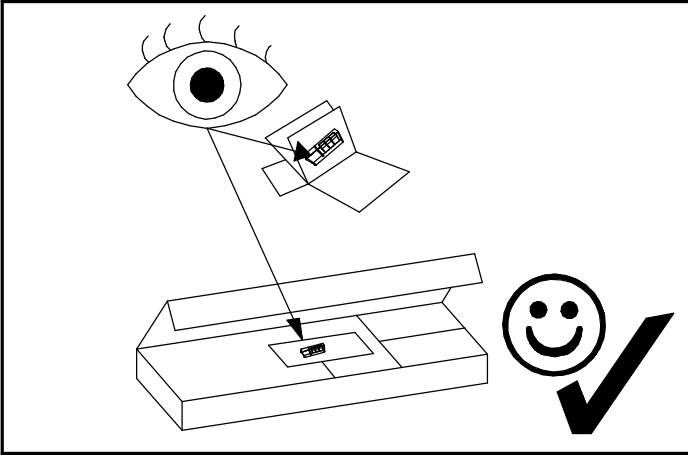
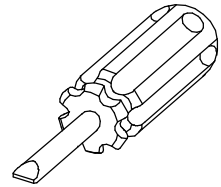
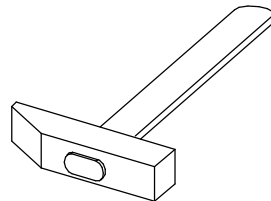
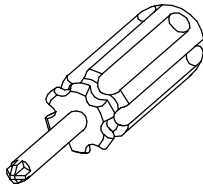
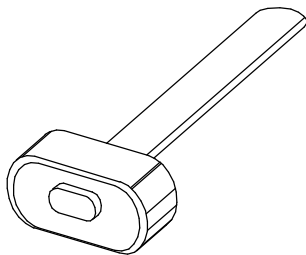
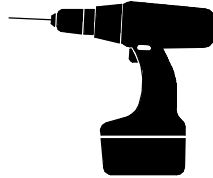
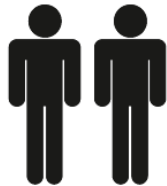
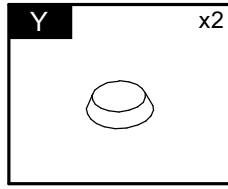
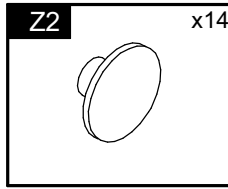
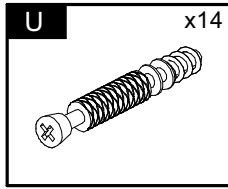
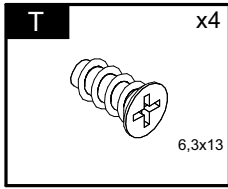
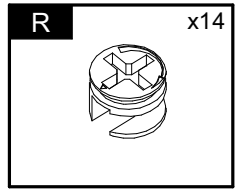
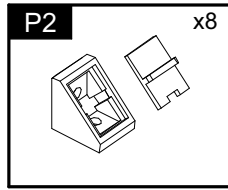
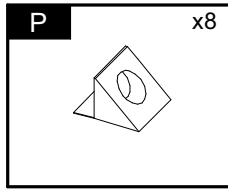
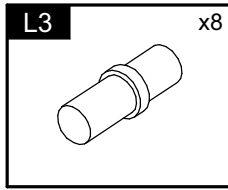
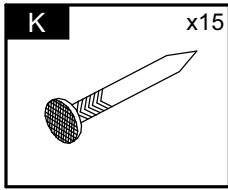
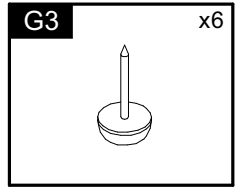
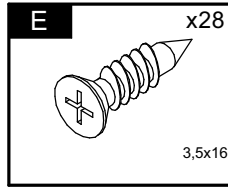
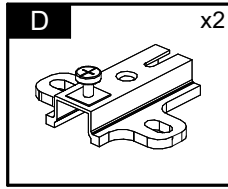
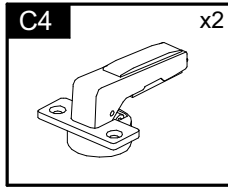
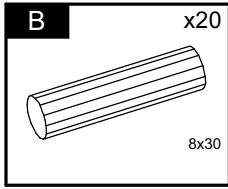
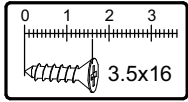
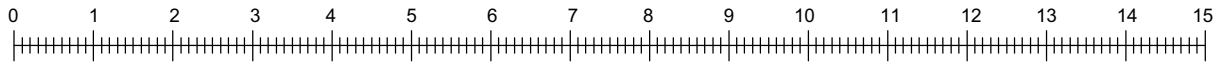


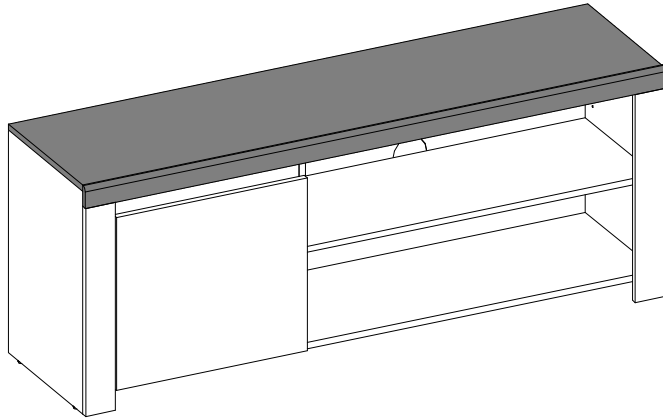
# VILGO

Typ B

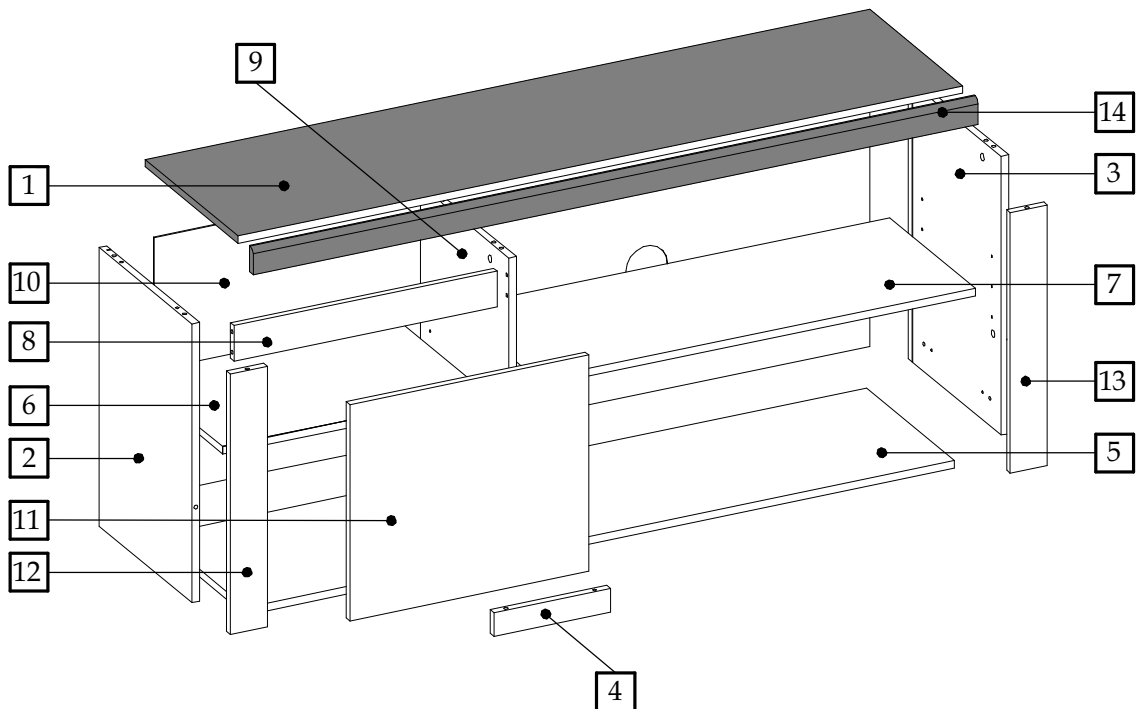


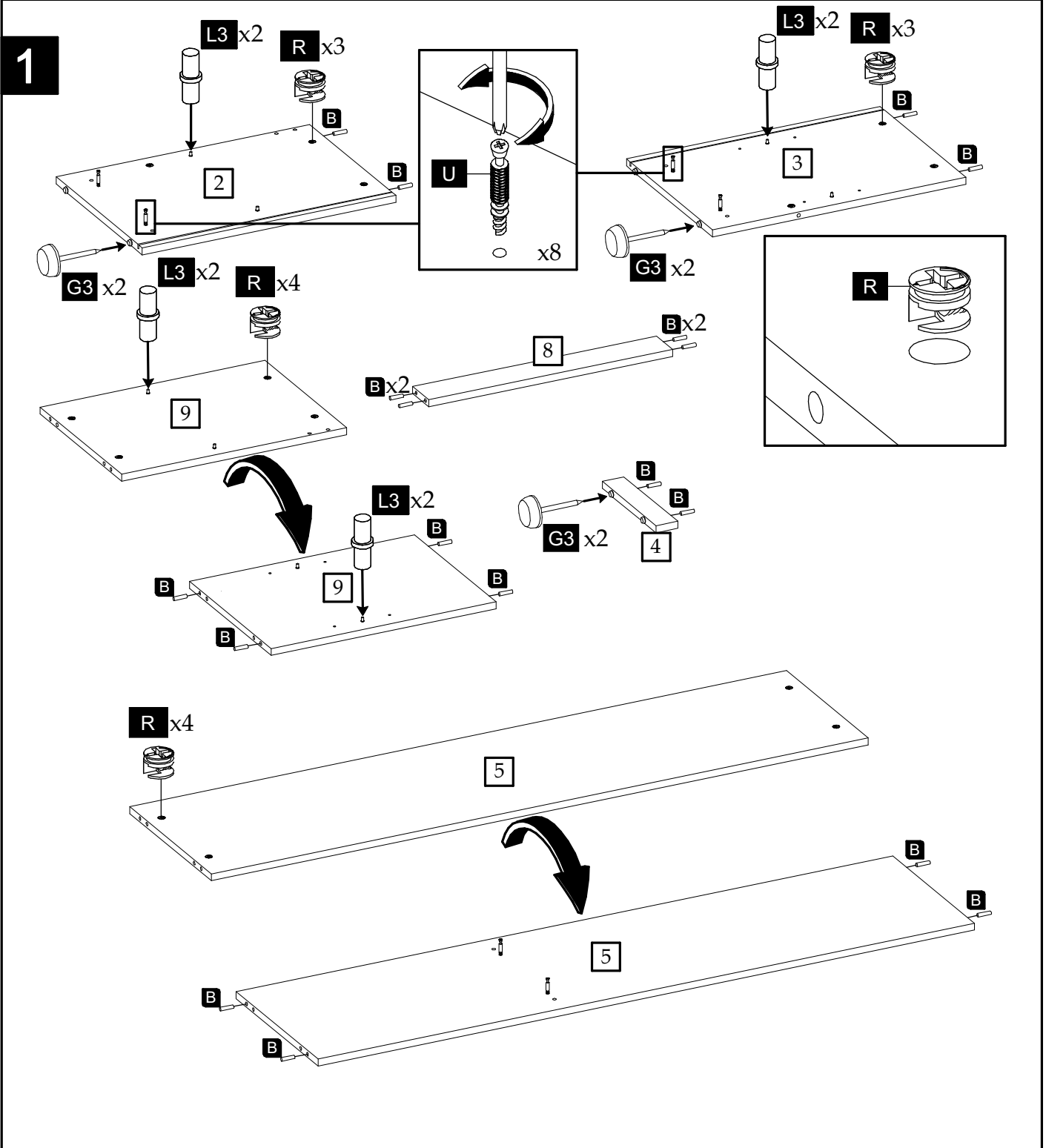
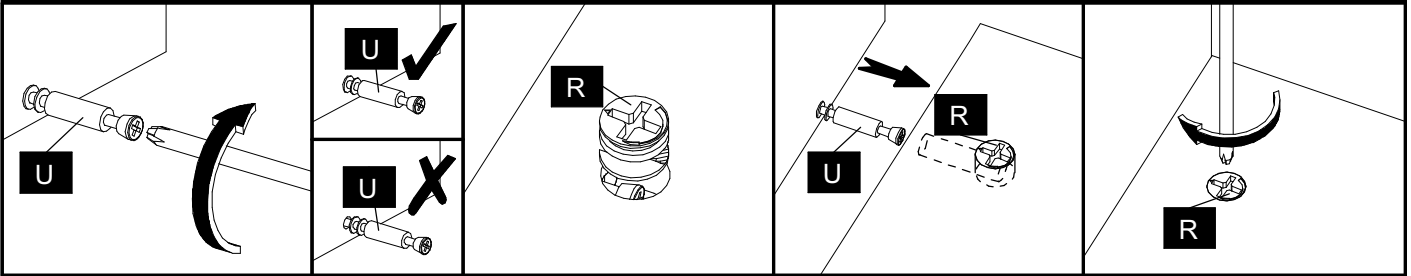




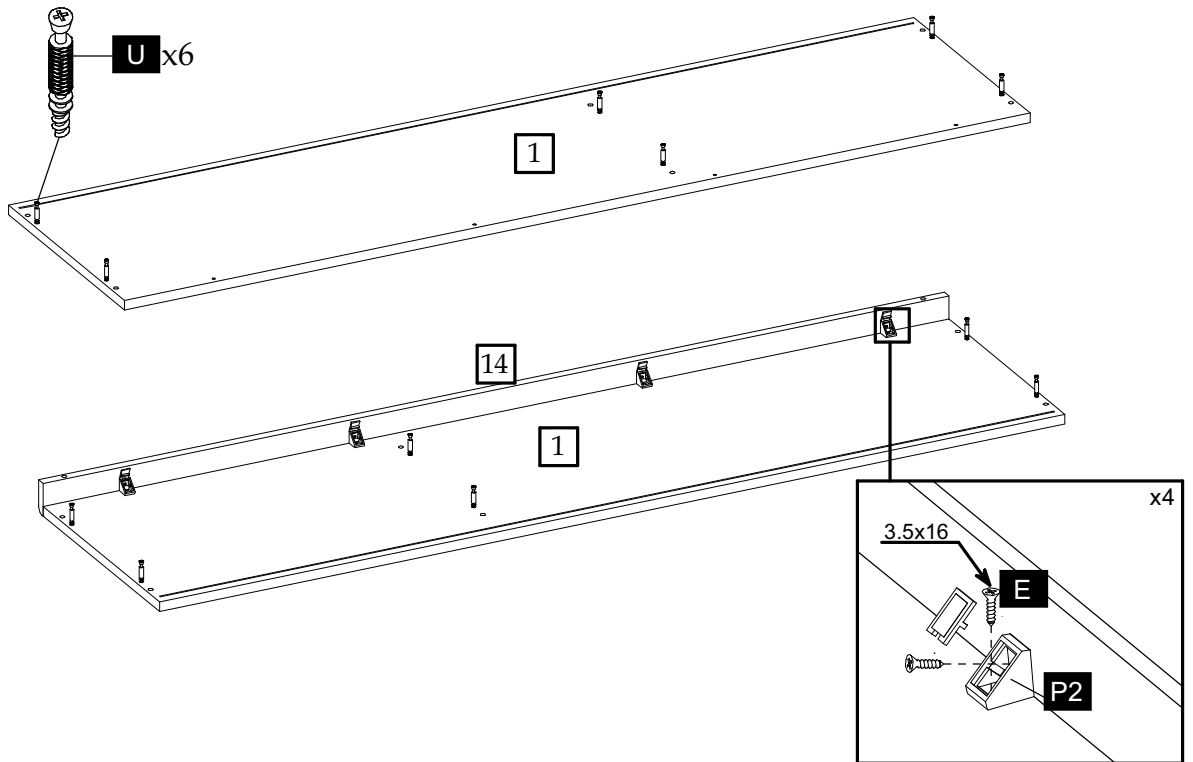


1	1560	399	16	1	1004	1/1
2	589	399	16	1	1002	1/1
3	589	399	16	1	1003	1/1
4	250	50	16	1	1008	1/1
5	1526	379	16	1	1005/2005	1/1
6	566.5	378	16	1	N/A	1/1
7	943.5	378	16	1	N/A	1/1
8	566.5	75	16	1	1035	1/1
9	523	378	16	1	1007/2007	1/1
10	1540	544	3	1	1030_v	1/1
11	516	459	16	1	1003/3001	1/1
12	552	82	16	1	1019/3002	1/1
13	552	82	16	1	1019/3003	1/1
14	1562	56	19	1	1009/3004	1/1

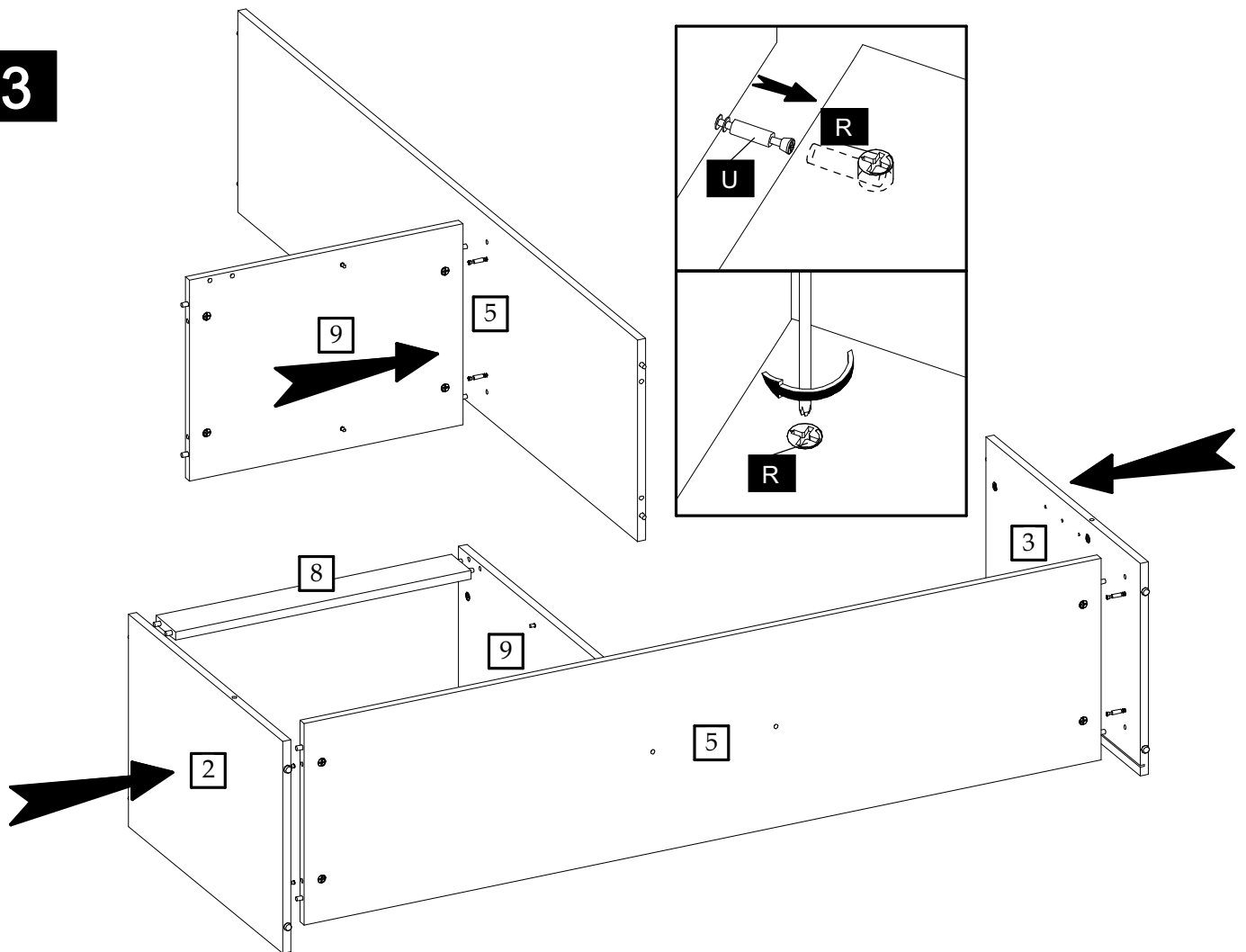




2

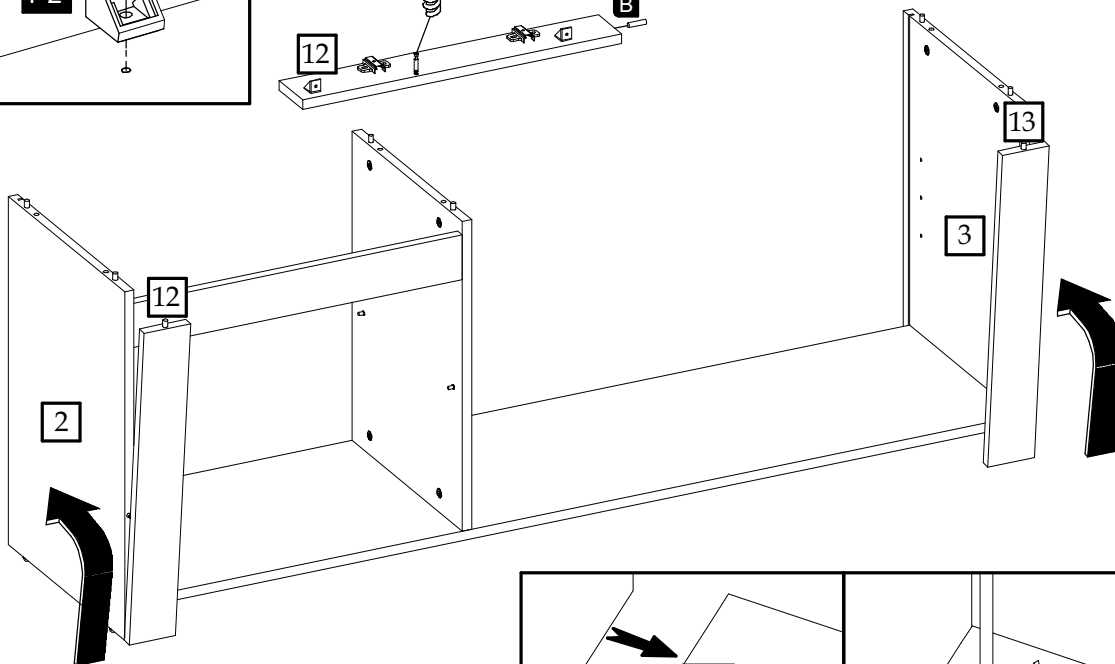
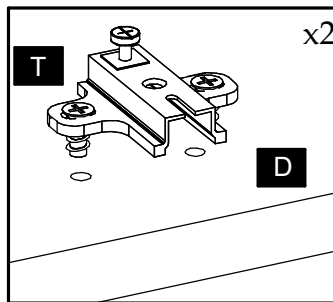
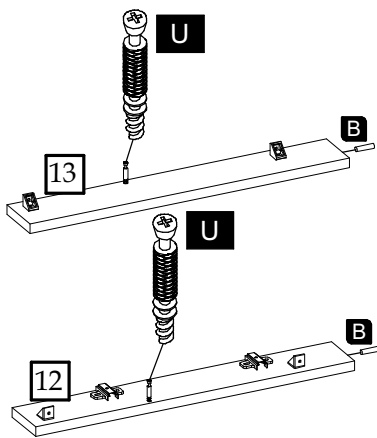
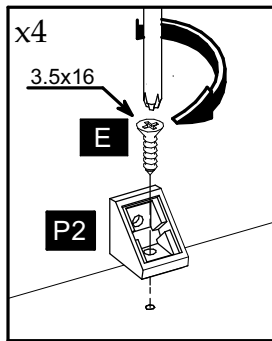


3

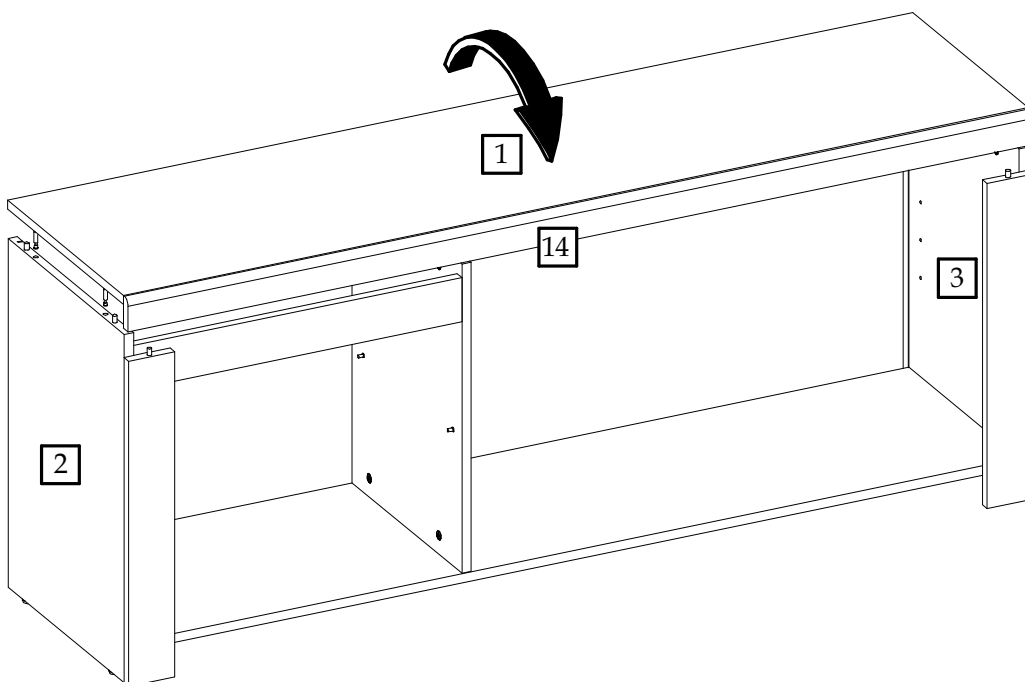
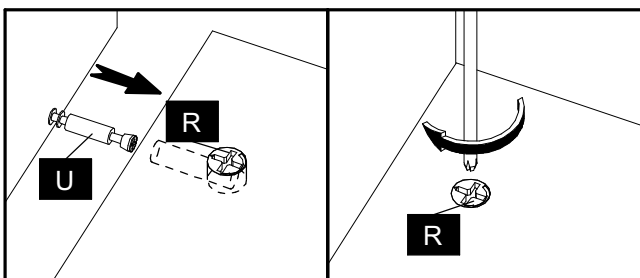


6

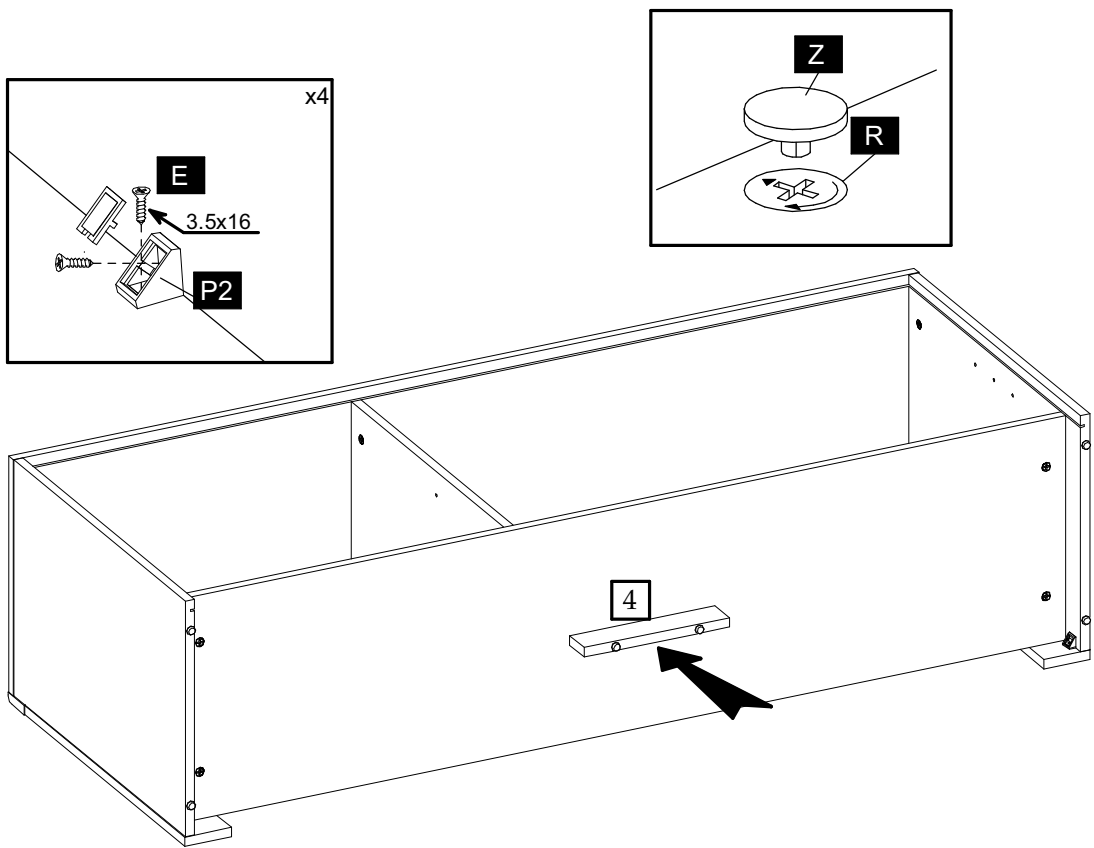
4



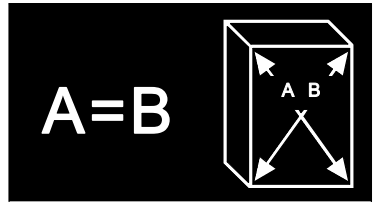
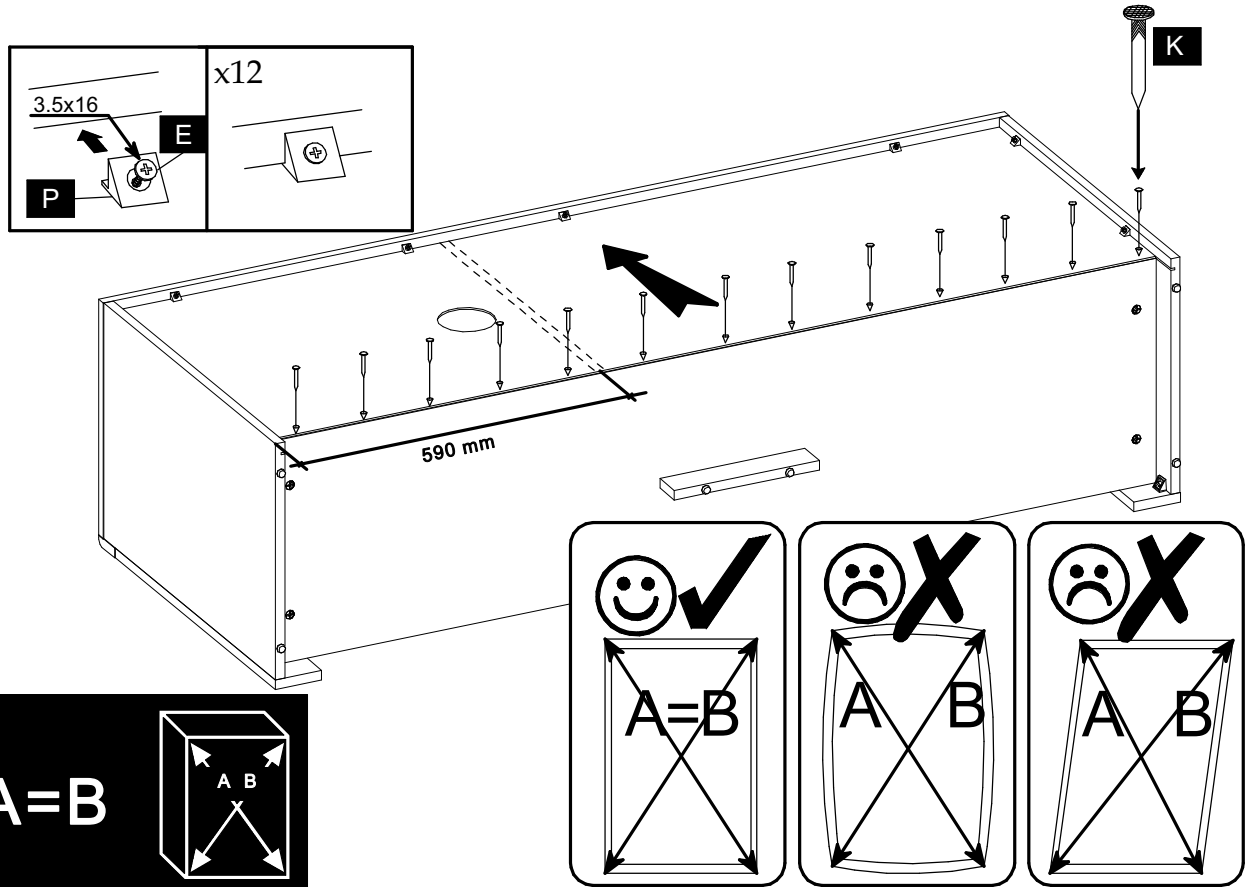
5



6

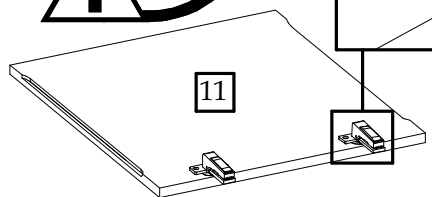
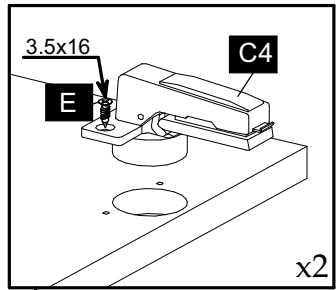
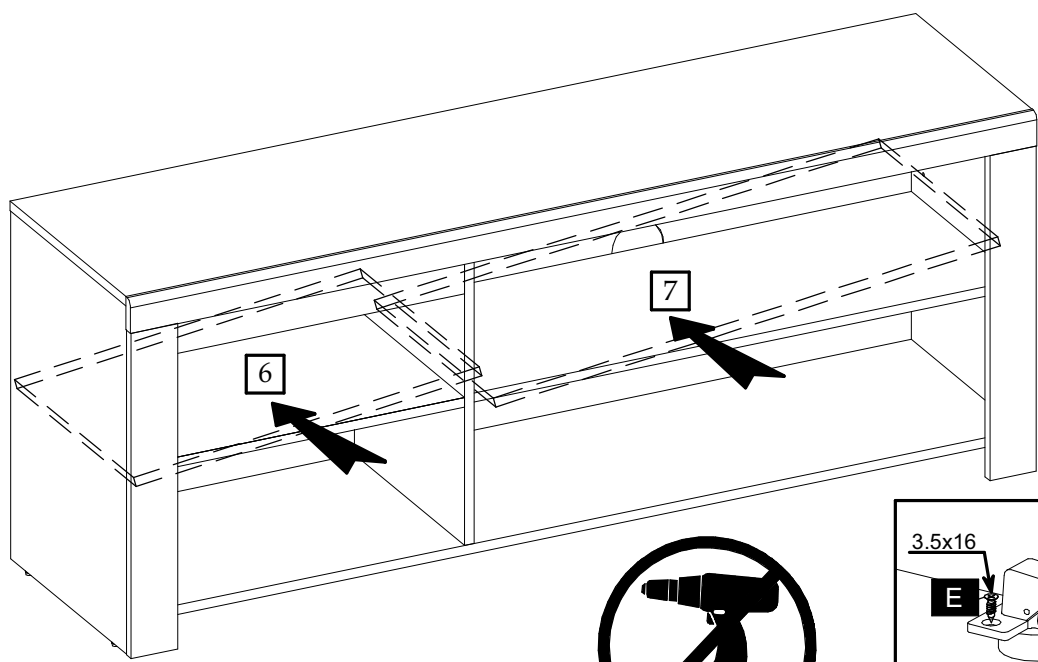


7





8



9

