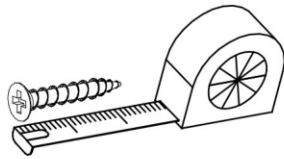
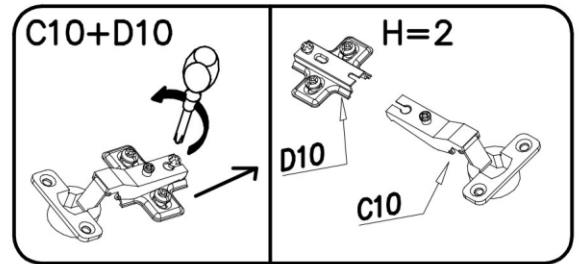
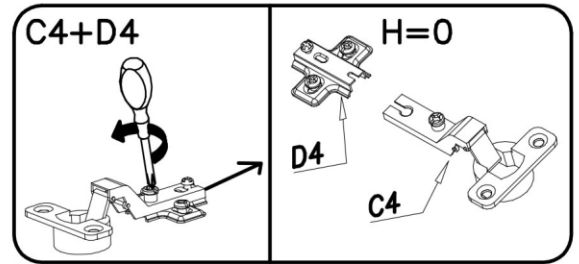
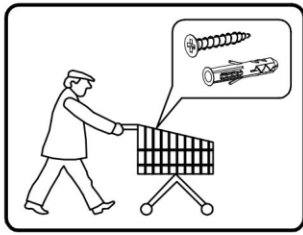
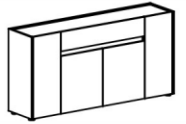


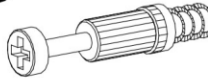

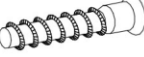

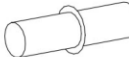
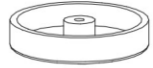
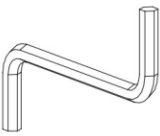


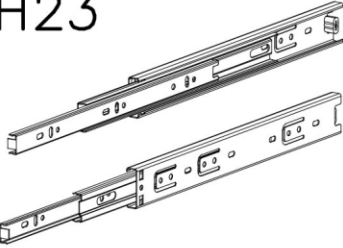
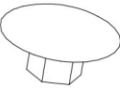
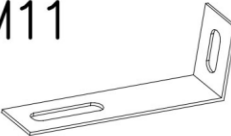


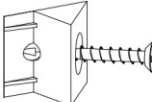
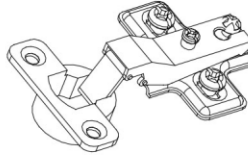
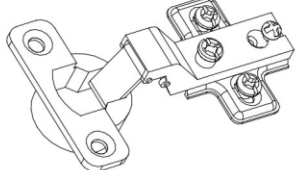
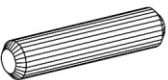

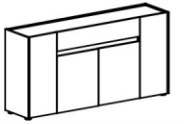


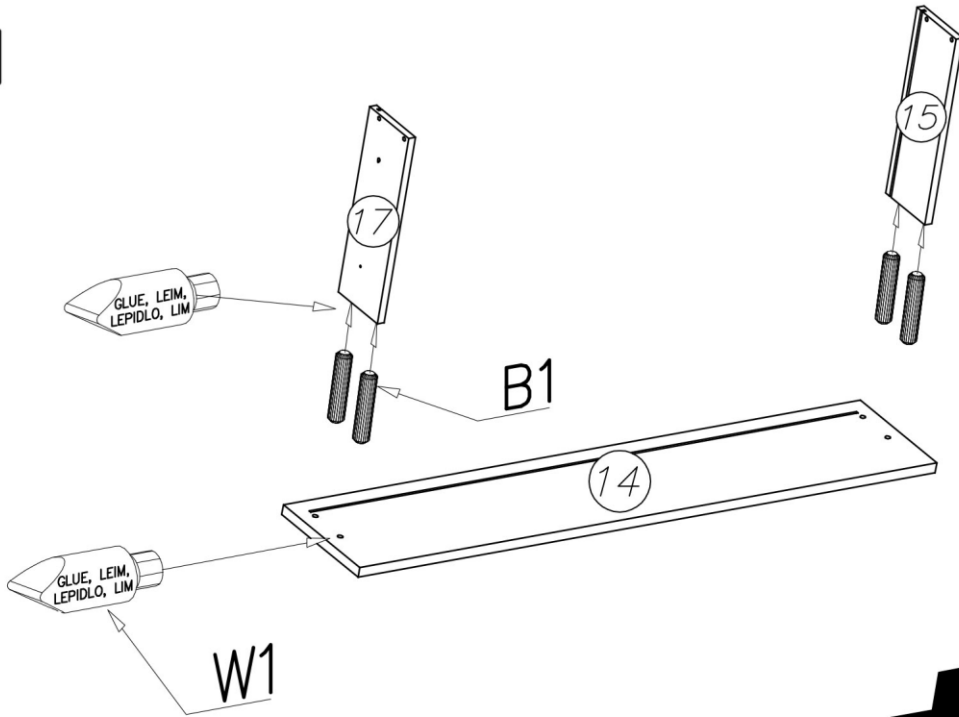
nr	L[mm]	B[mm]	T[mm]	Menge	Colli
1	1668	362	16	1	2/2
2	830	396	16	1	1/2
3	830	396	16	1	1/2
4	1668	358	16	1	2/2
5	976	358	16	1	1/1
6	978	93	16	1	1/2
7	788	358	16	1	2/2
8	788	358	16	1	2/2
9	1668	93	16	1	2/2
10	804	344	3	2	2/2
11	493	992	3	1	1/2
12	311	992	3	1	2/2
13	330	328	16	2	1/2
14	989	196	16	1	2/2
15	300	100	12	1	2/2
16	930	100	12	1	2/2
17	300	100	12	1	2/2
18	940	301	3	1	2/2
19	829	334	16	2	1/2
20	584	493	16	2	1/2



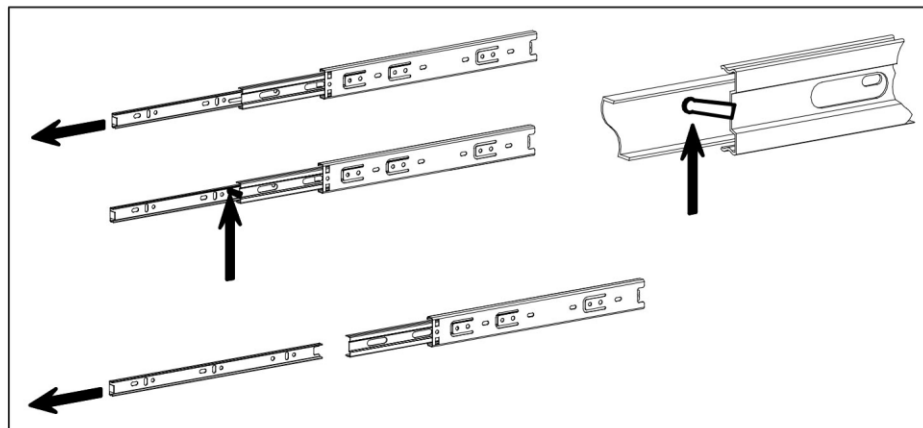
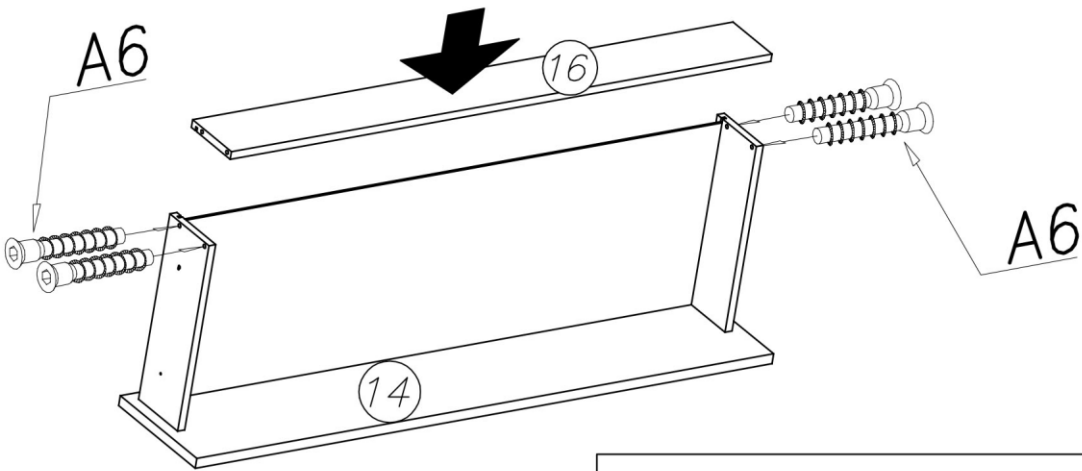
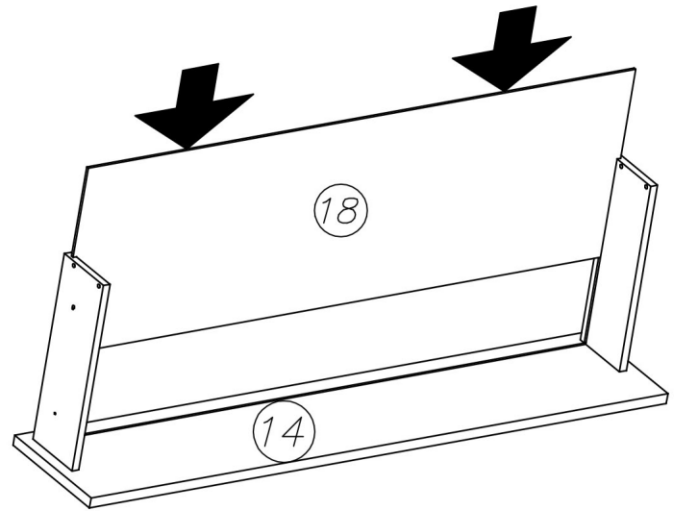
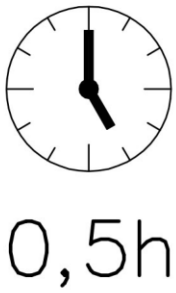
A1  ø7x50 x4		K1  ø15x12 x20		K5  x20		G14  3,5x45 x3	
A6  ø7x40 x4		G1  4x13 x10		F2  x8		P20  x6	
W2  x1		M8  300mm x2		G12  4x25 x6		H23  H35-300mm x1	
I7  ø18 x20		M11  x2		S2  x34		W1  GLUE, LEIM, LEPIDLO, LIM x1	
I1  x16		C10+D10  ø35 H=2 x4		Z35PL x4		C4+D4  ø35 H=0 x4	
B1  ø8x35 x28		G34  3,5x16 x74					

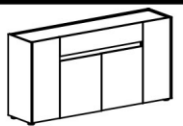


I

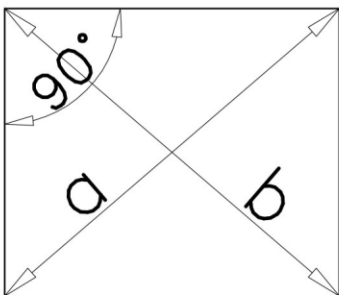
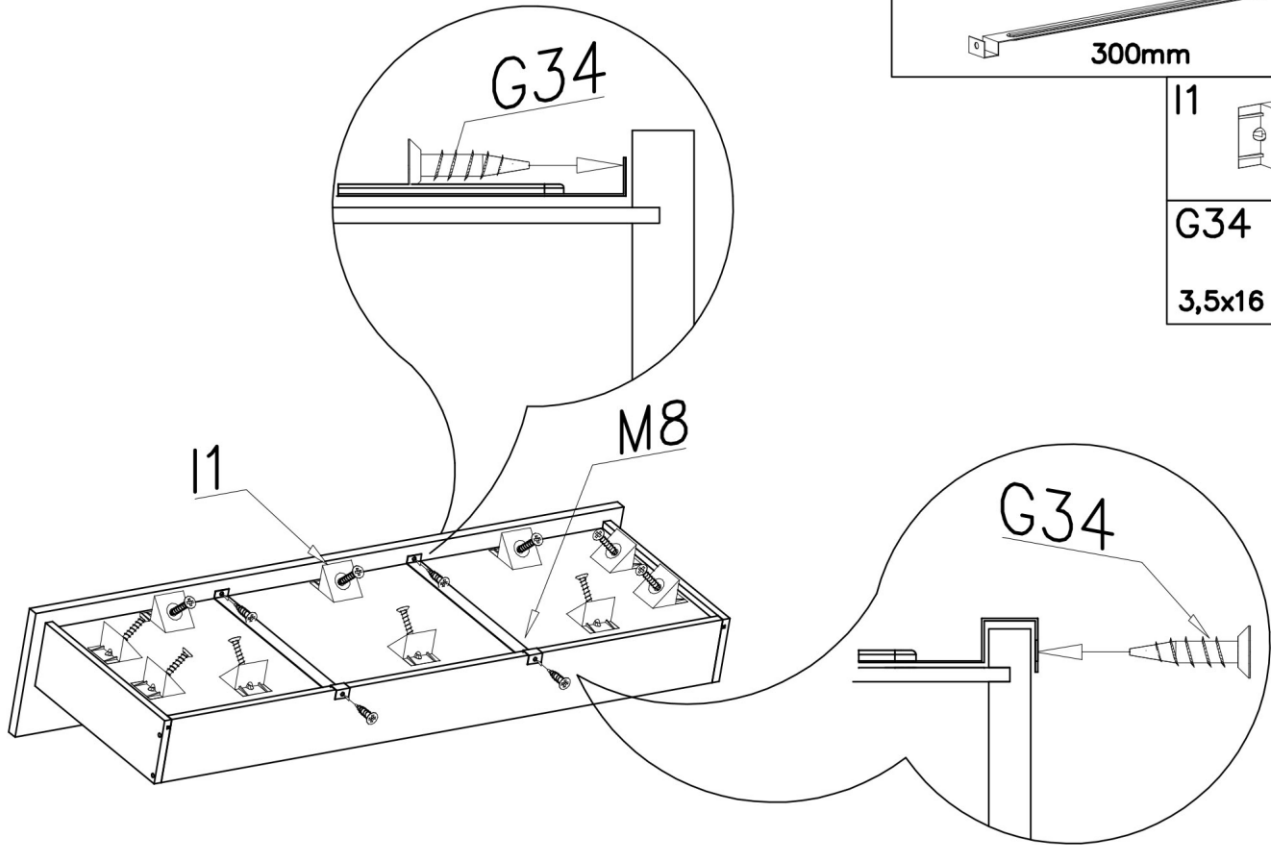
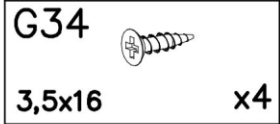
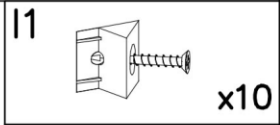
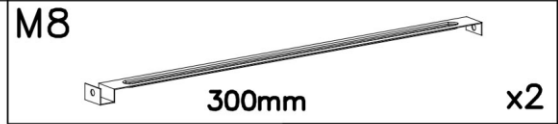


W1		x1
A6		x4
ø7x40		
W2		x1
B1		x4
ø8x35		

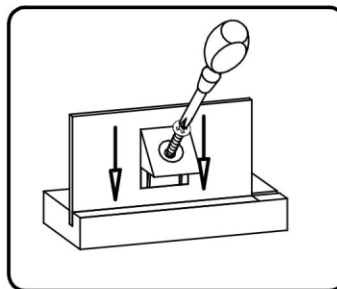




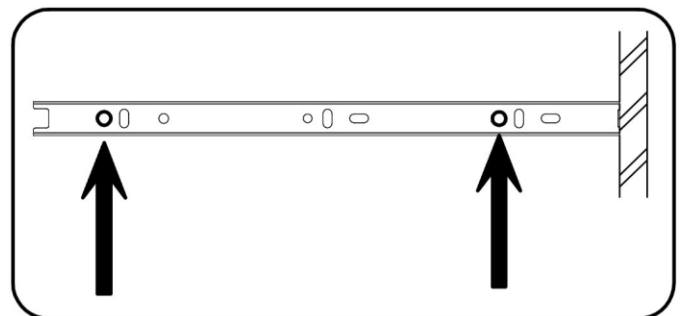
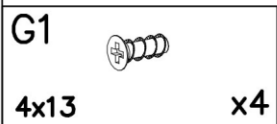
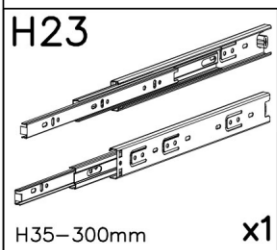
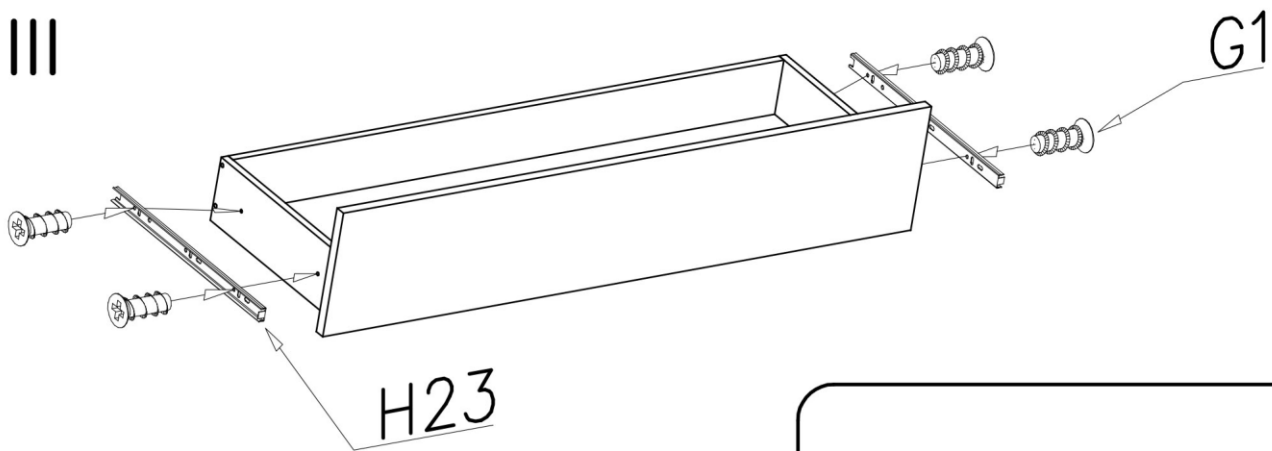
II

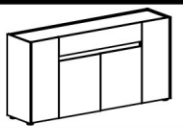


a=b

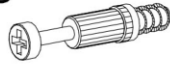




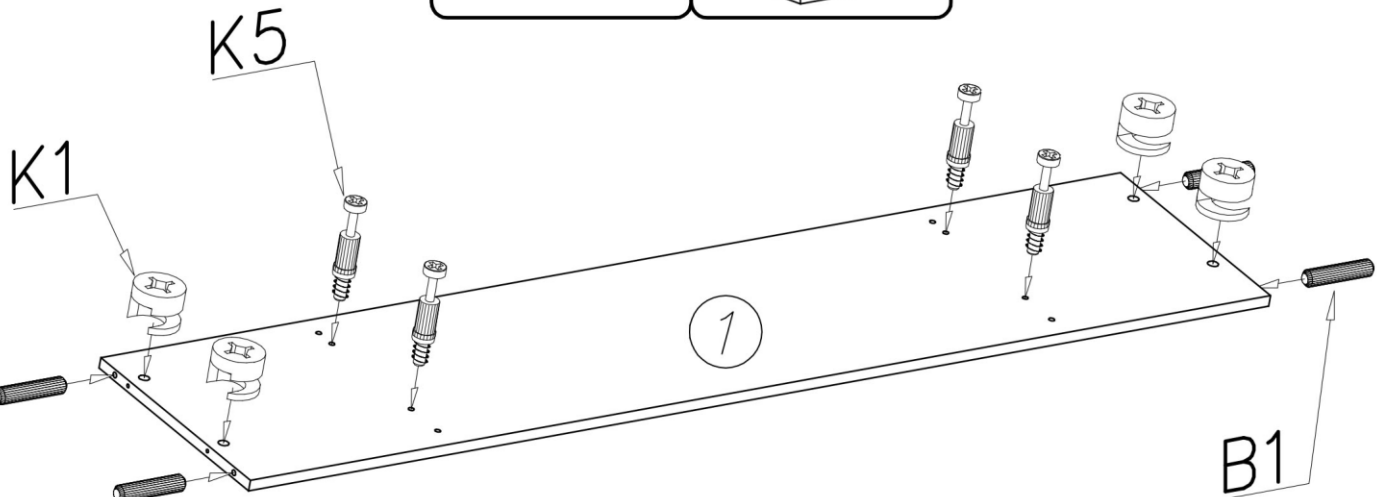
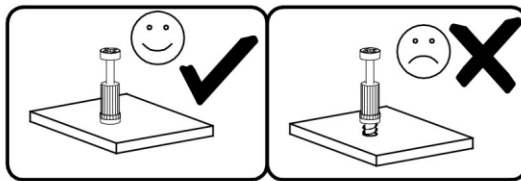
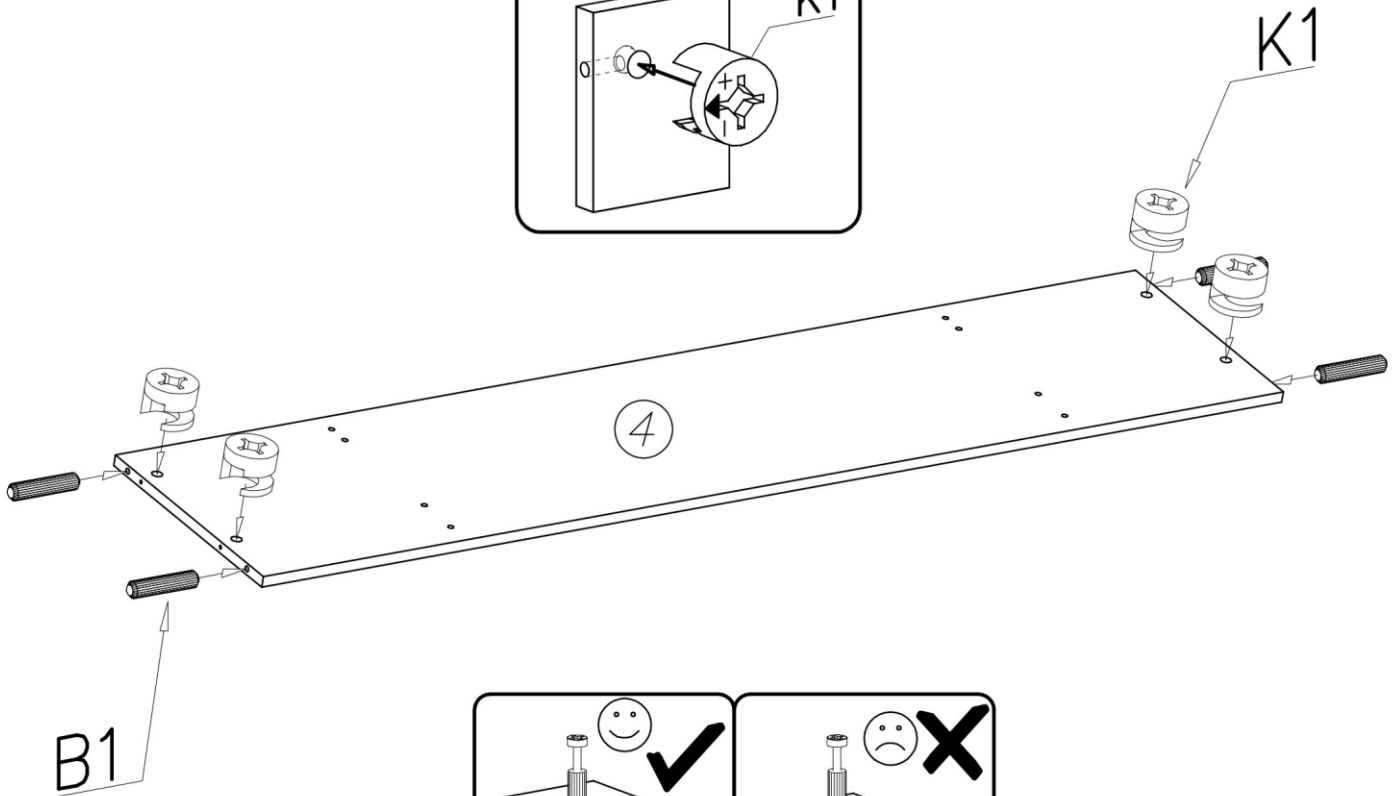
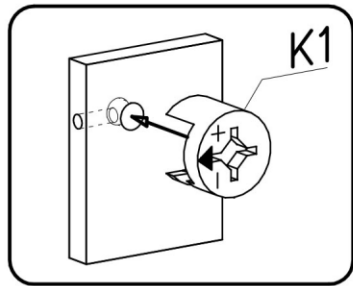
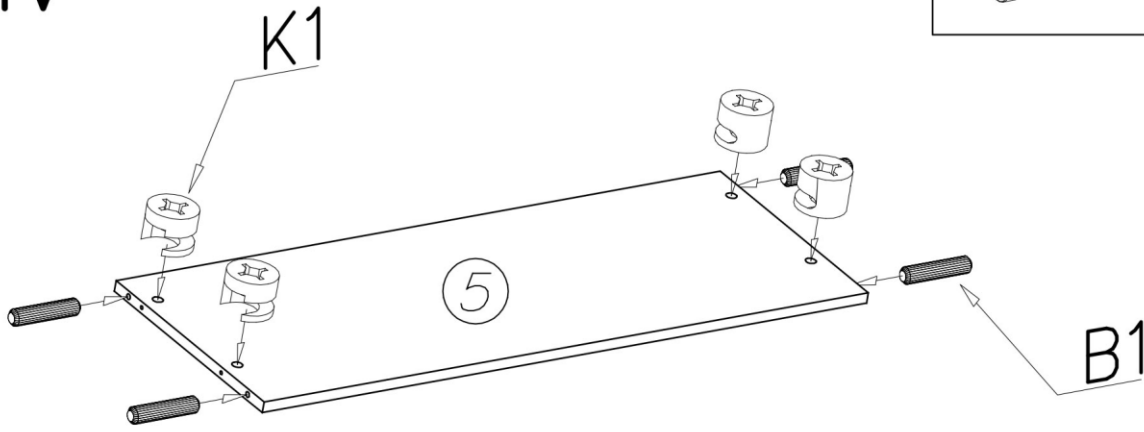
III

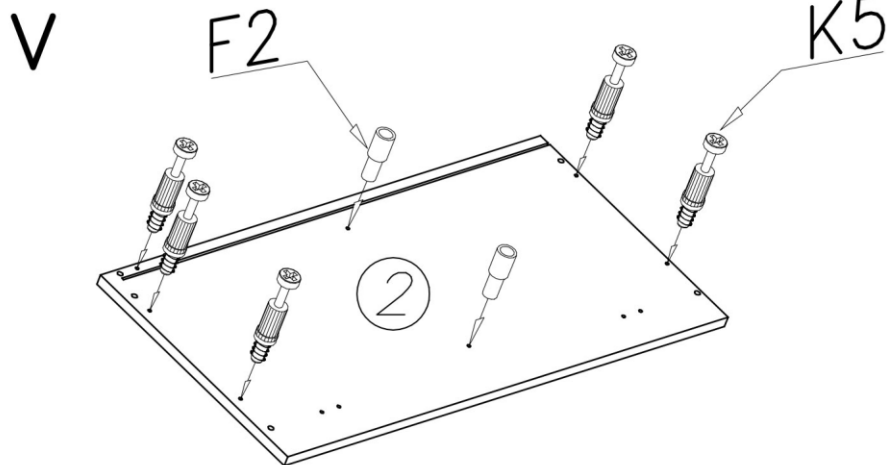
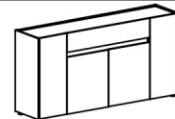




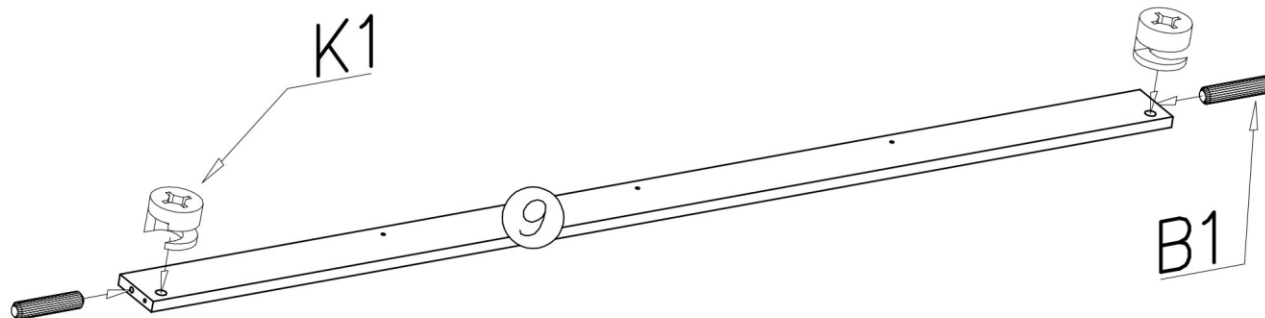
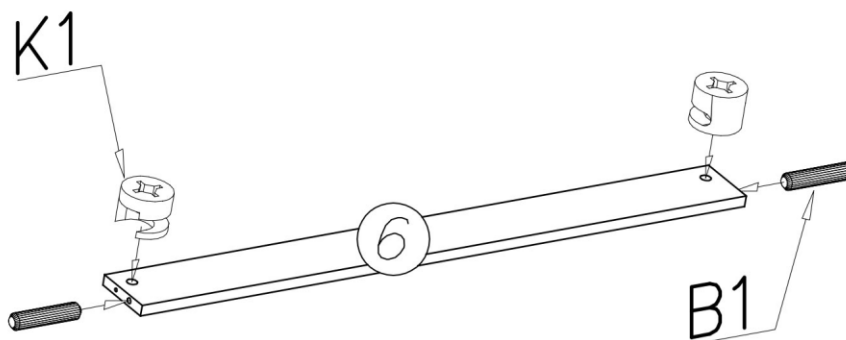
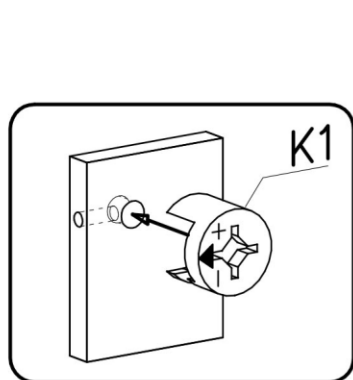
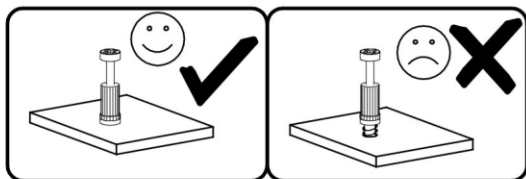
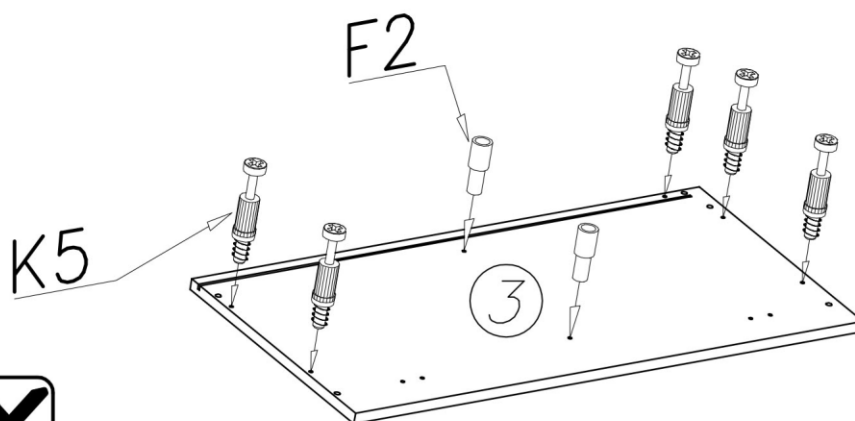
IV

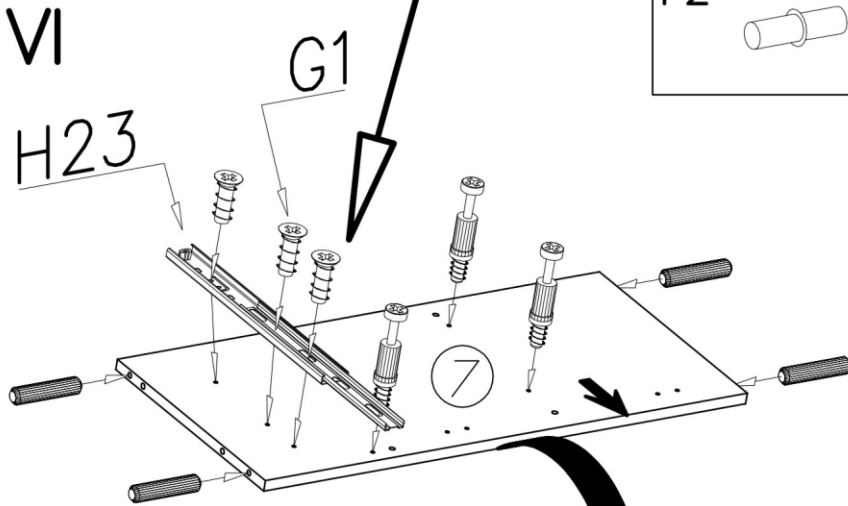
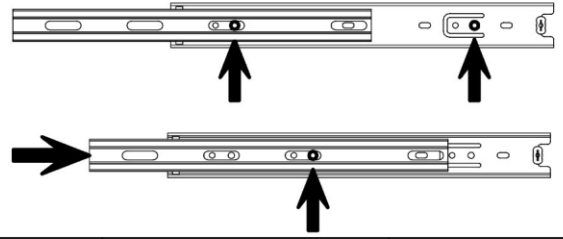
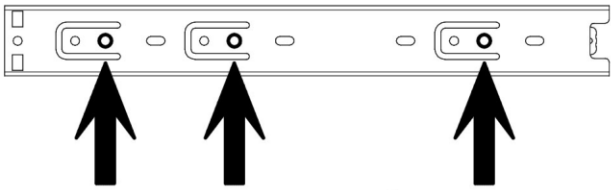
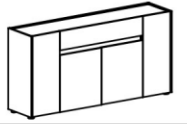
K5		x4
B1		x12
K1		x12



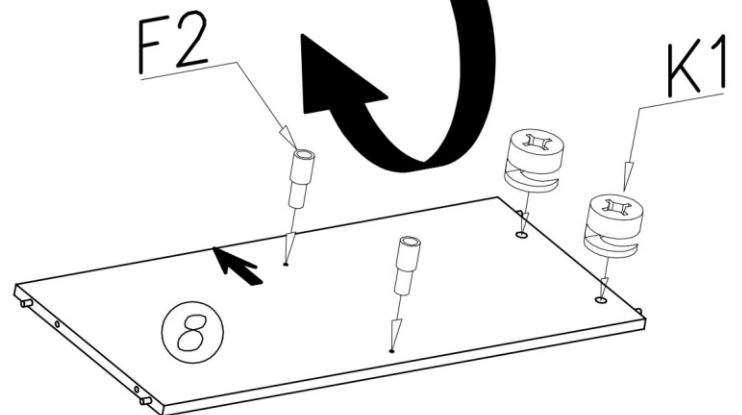
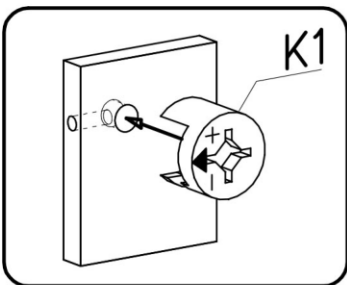
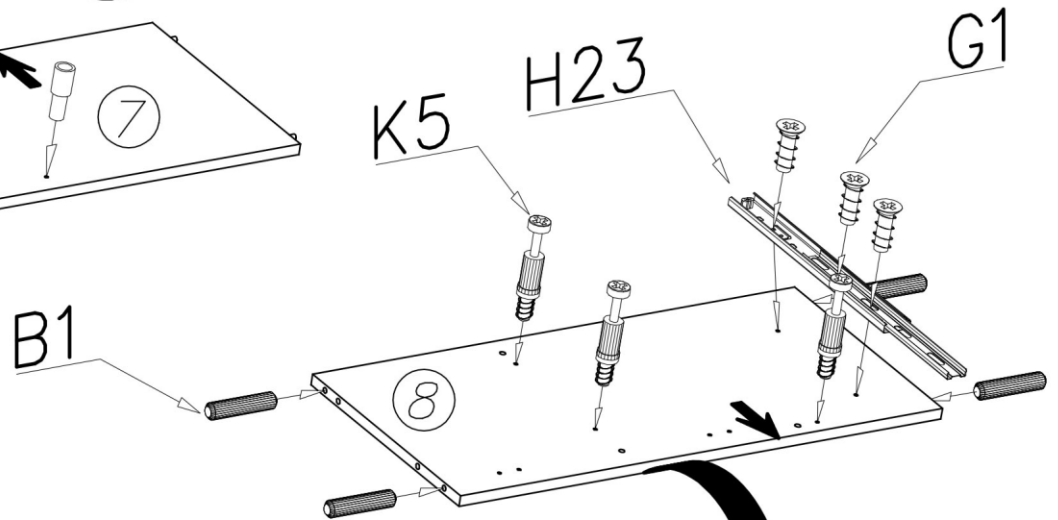
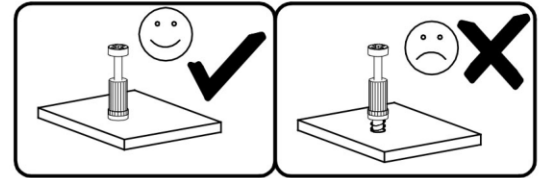
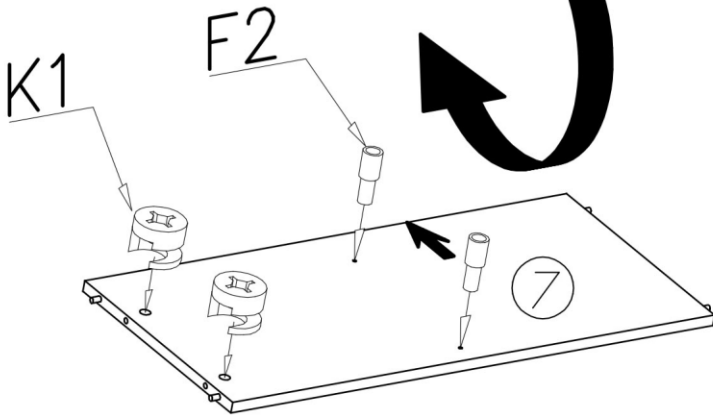


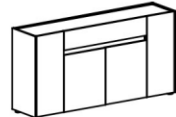
K5		x10	B1		ø8x35	x4
F2		x4	K1		ø15x12	x4



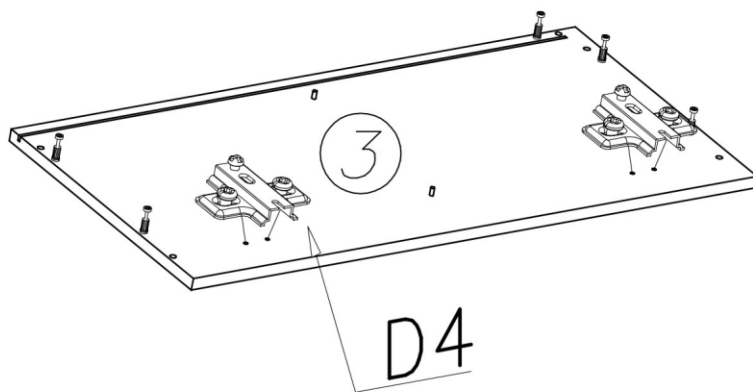
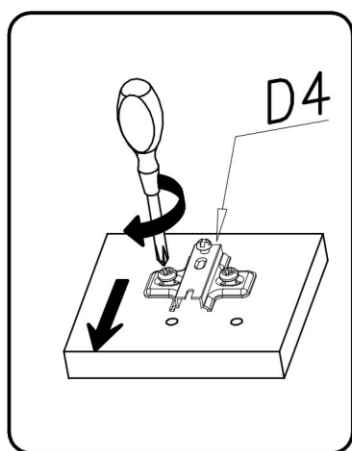
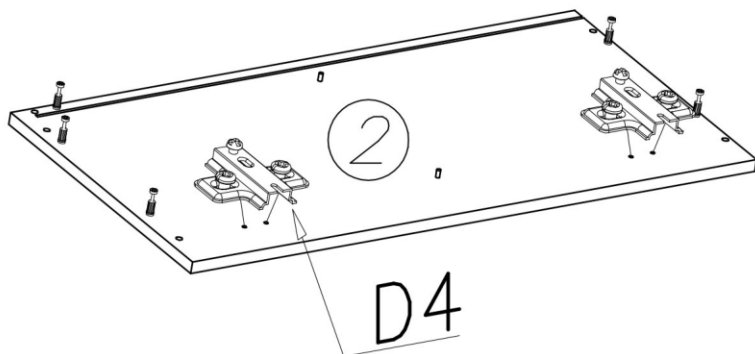
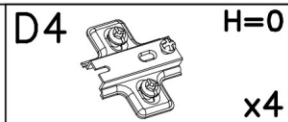


F2		G1		K1	
	x4	4x13	x6	ø15x12	x4
		B1		H23	
		ø8x35	x8	H35-300mm	x1
		K5			
			x6		

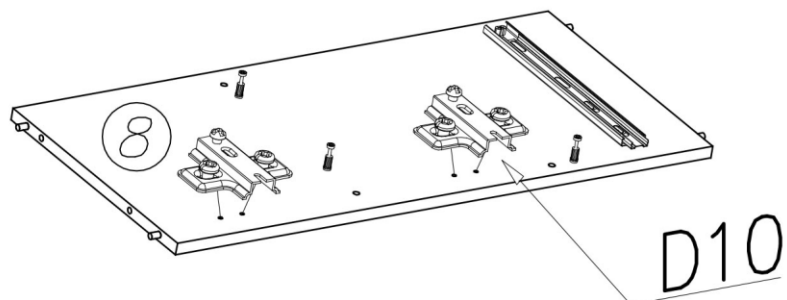
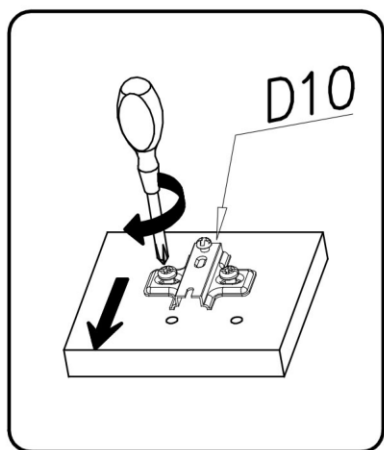
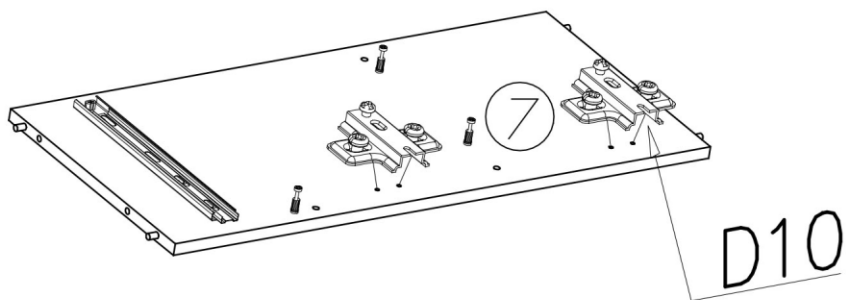
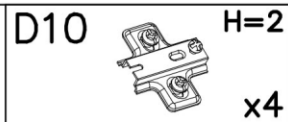


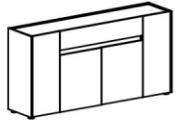


VII

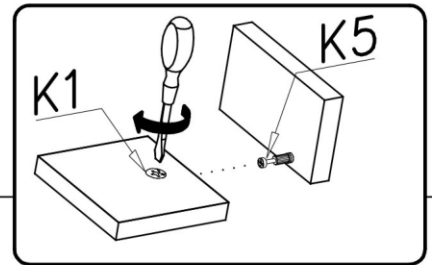
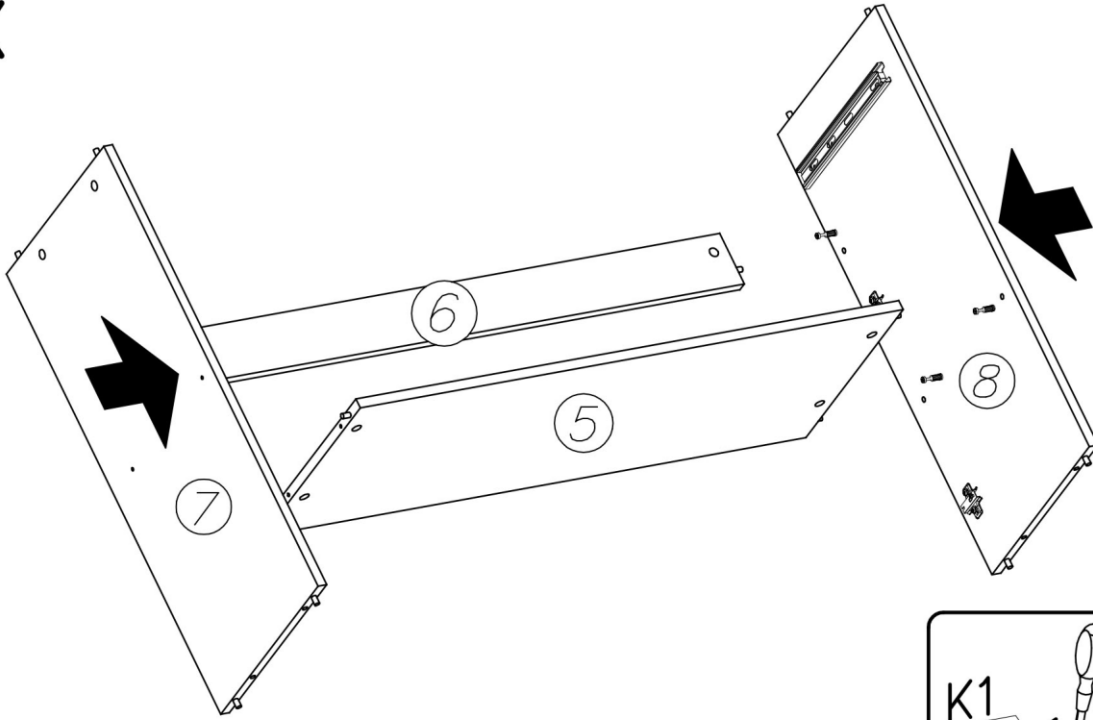


VIII

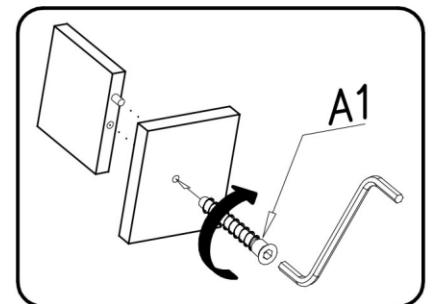
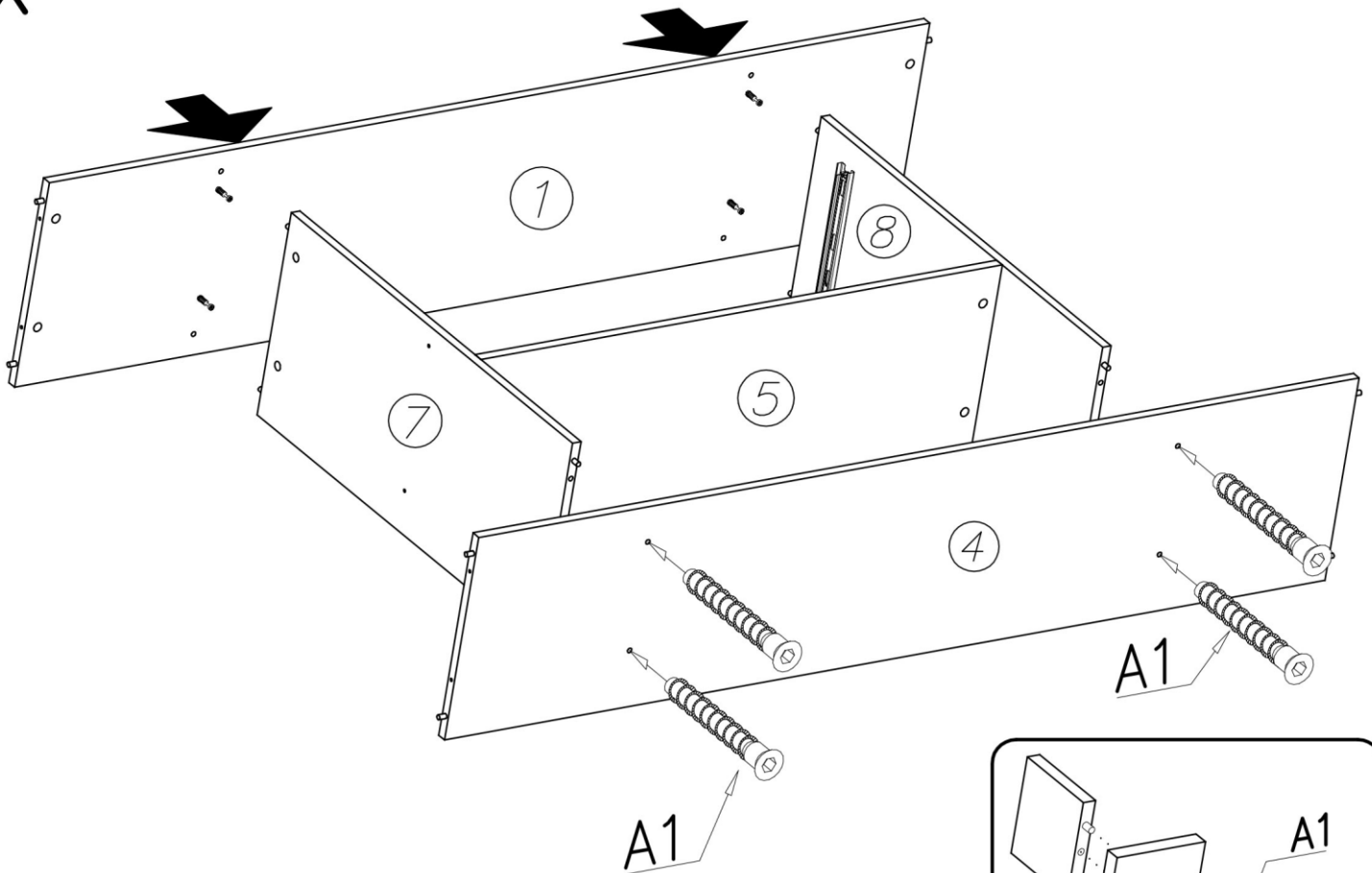






IX



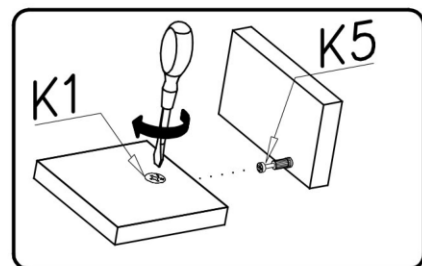
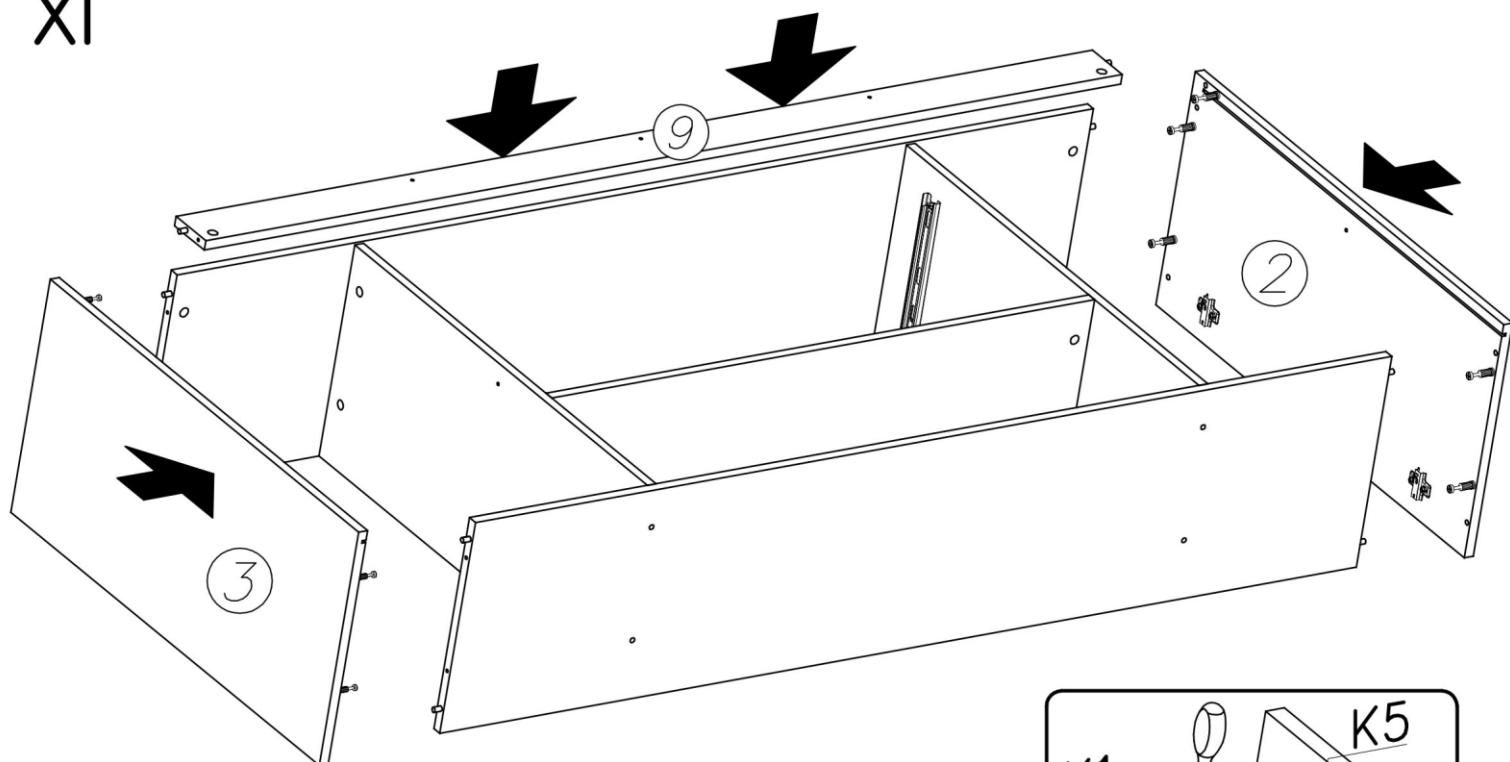
X



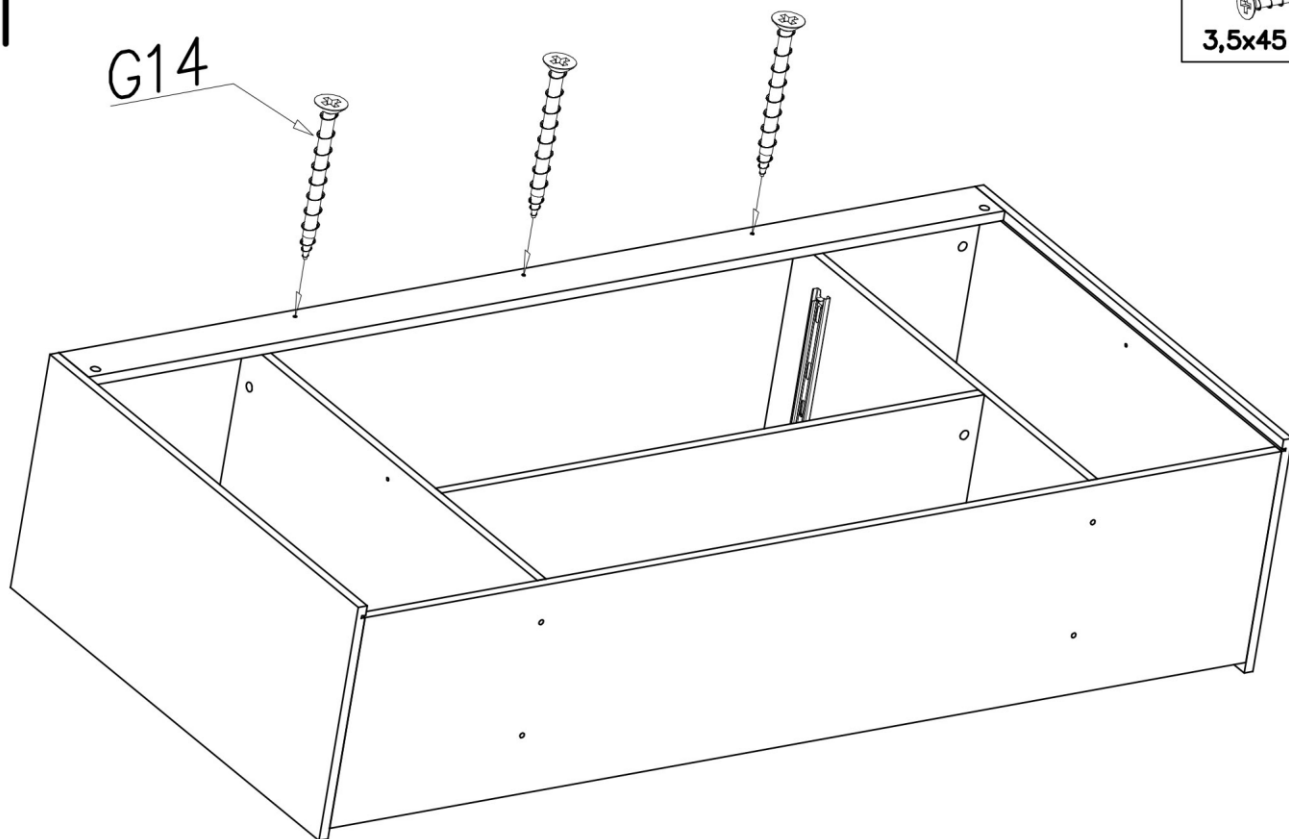
A1  ø7x50 x4	W2  x1
--	---




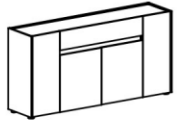
XI



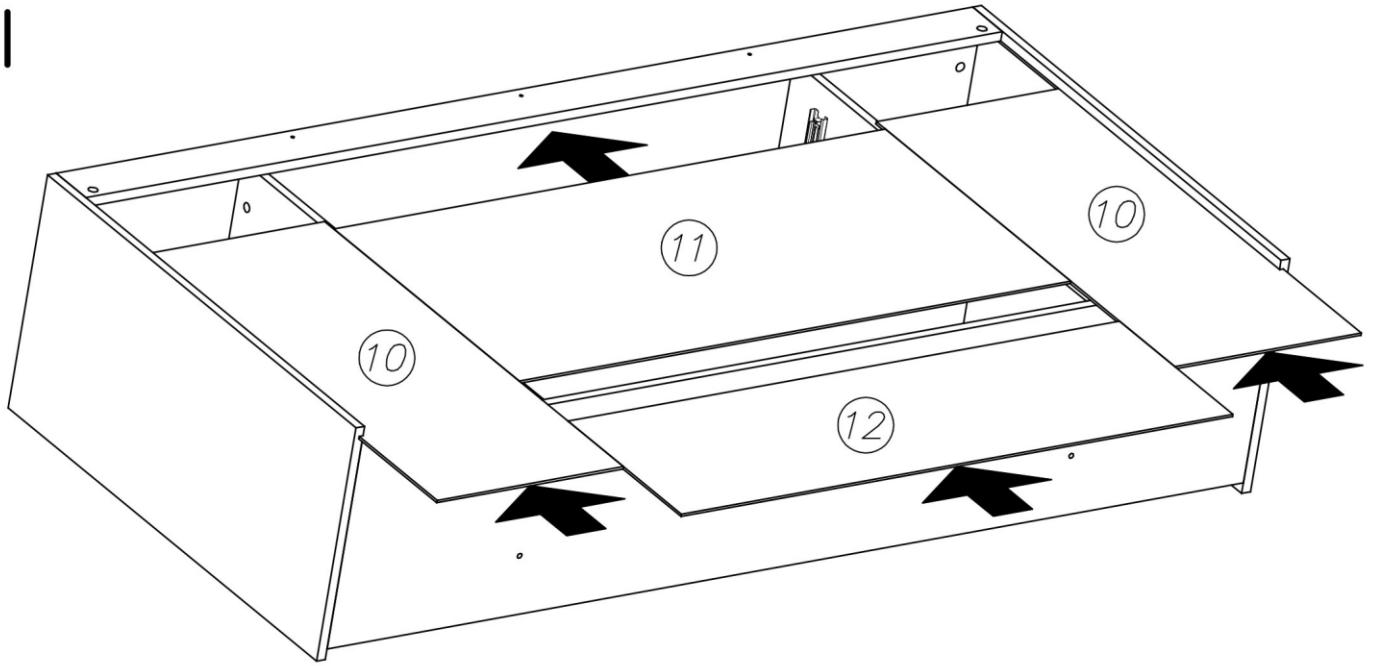
XII




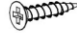
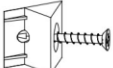
G14
 3,5x45 x3

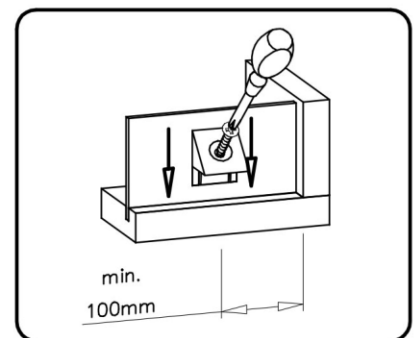
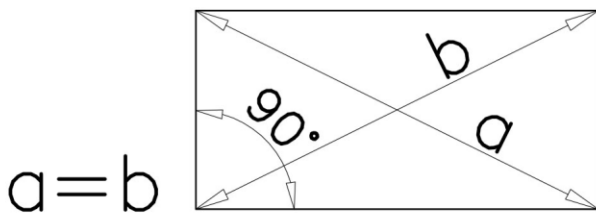
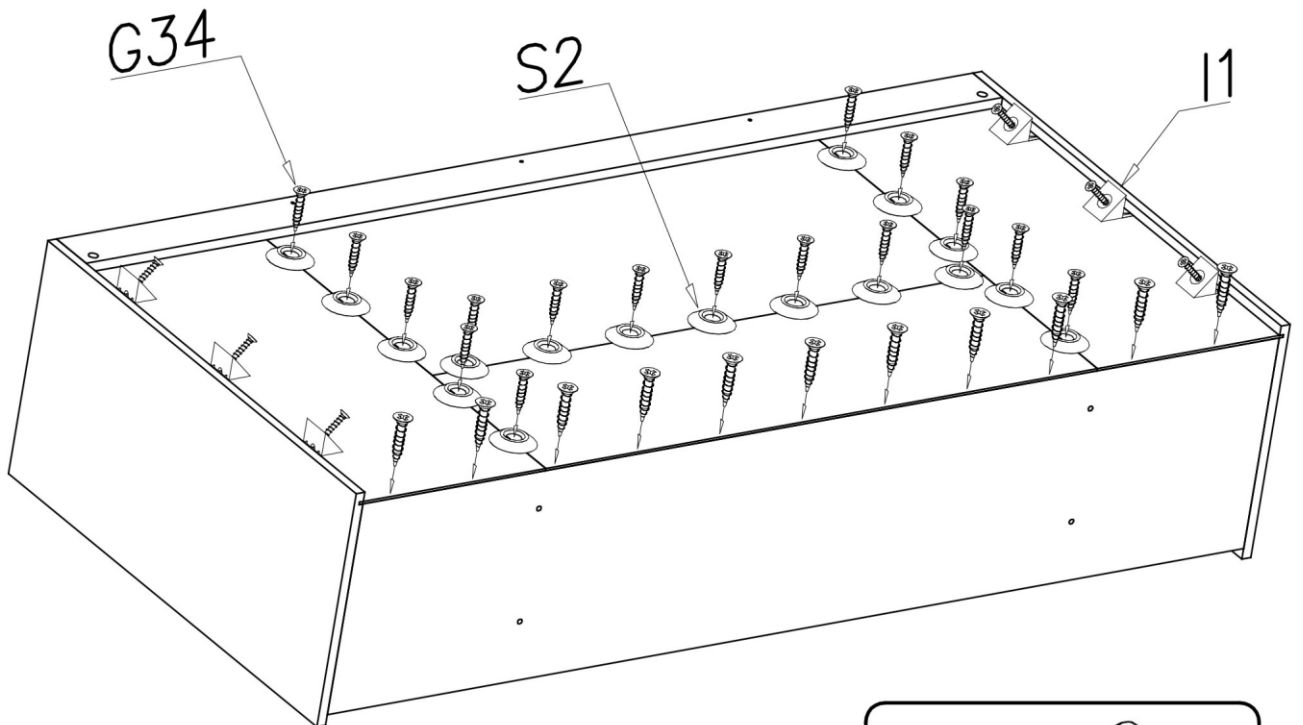


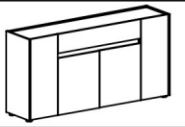
XIII



XIV

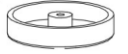
S2	G34	I1
		
x26	3,5x16 x42	x6





XV

P20



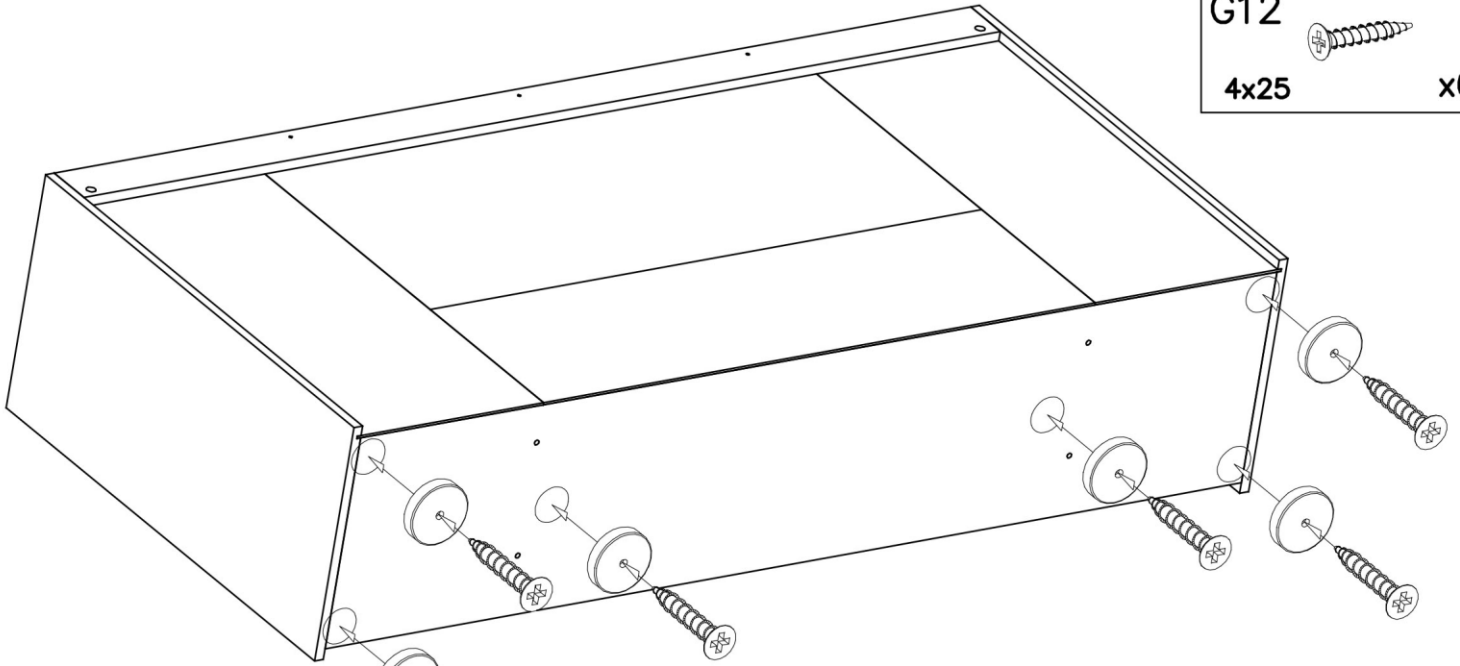
x6

G12



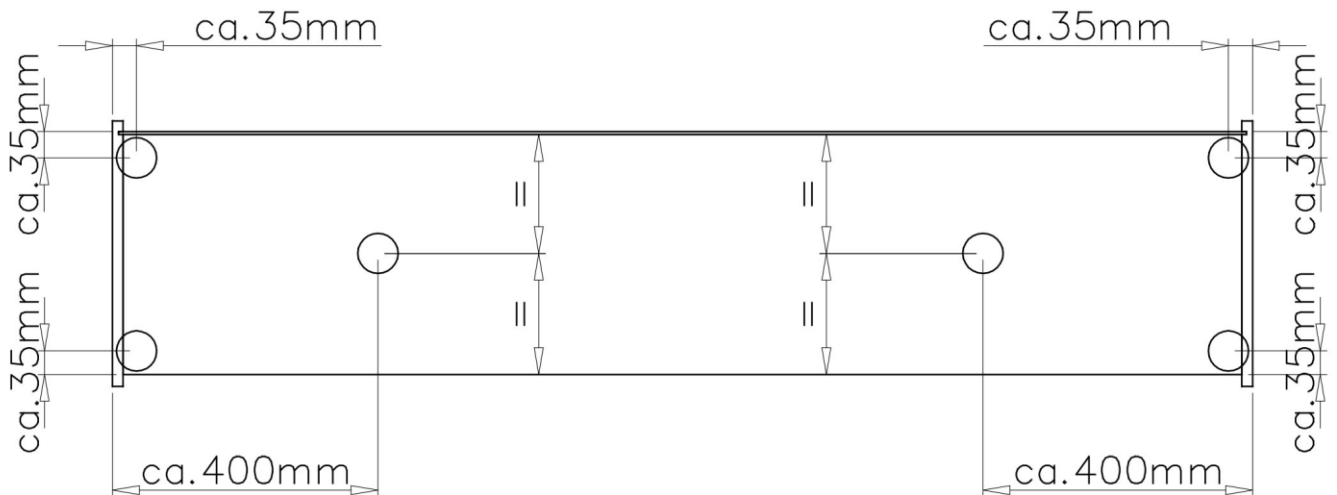
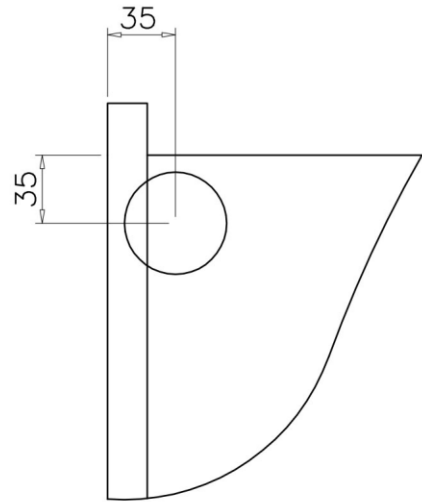
4x25

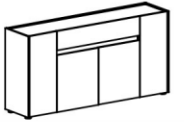
x6



P20

G12





XVI

S2



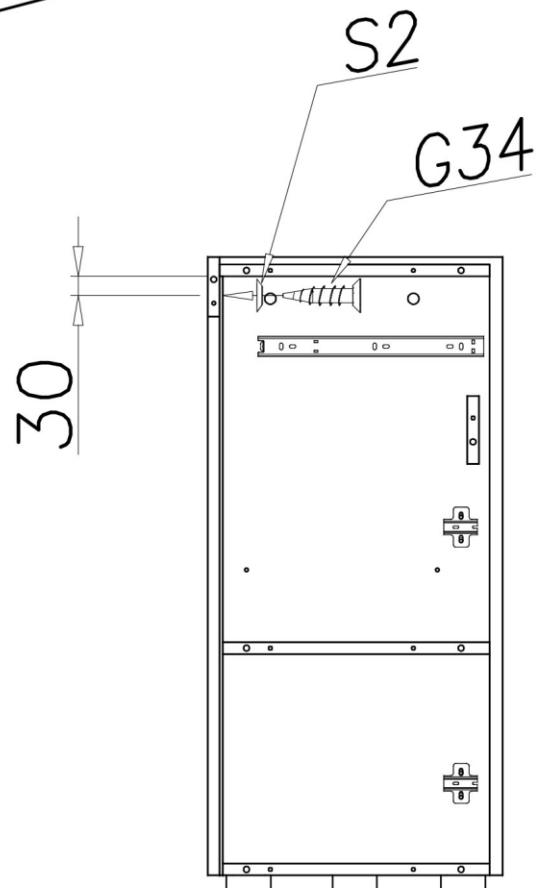
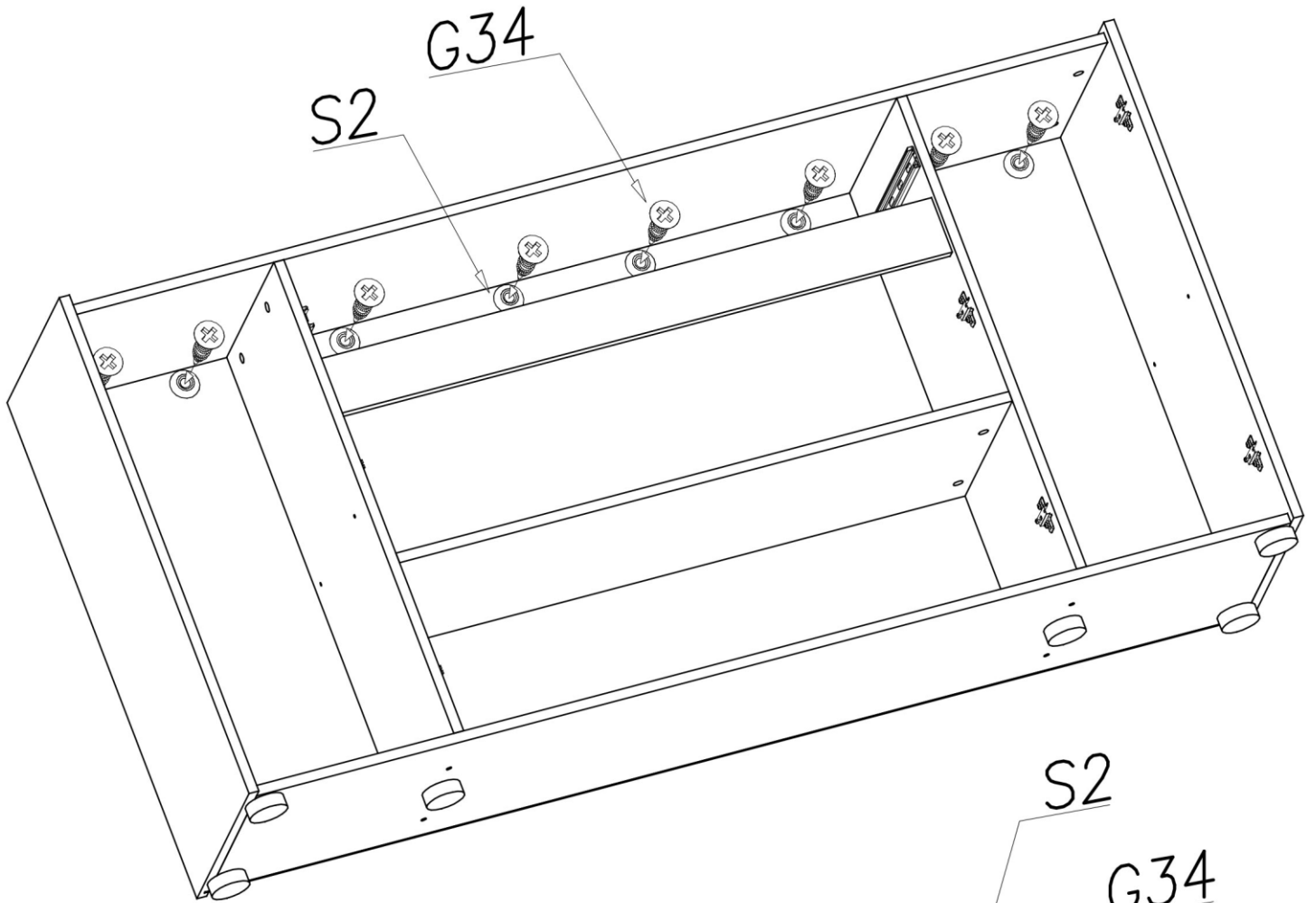
x8

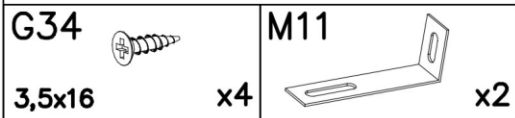
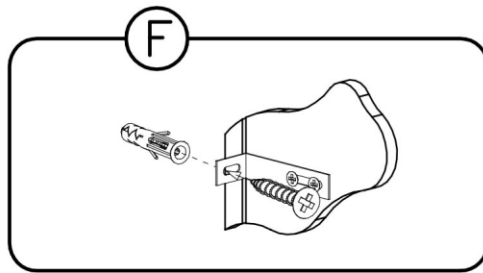
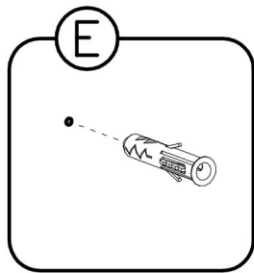
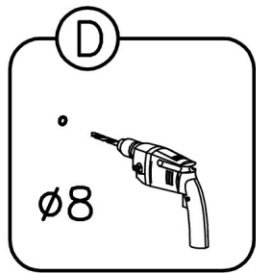
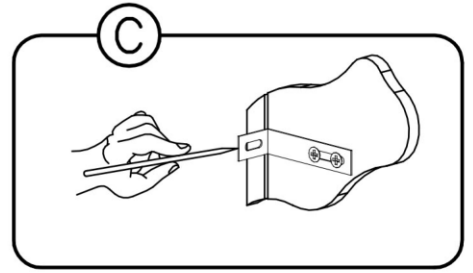
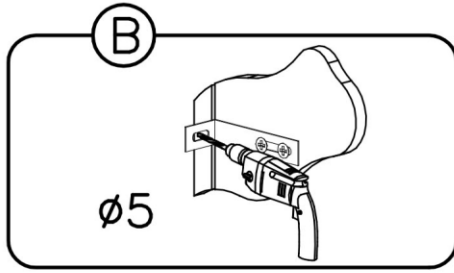
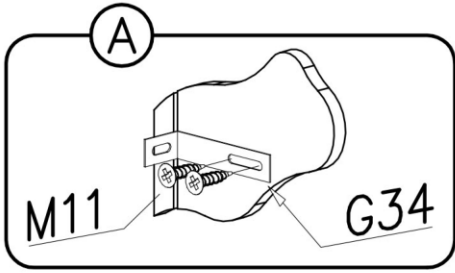
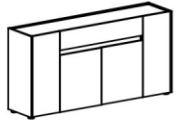
G34



3,5x16

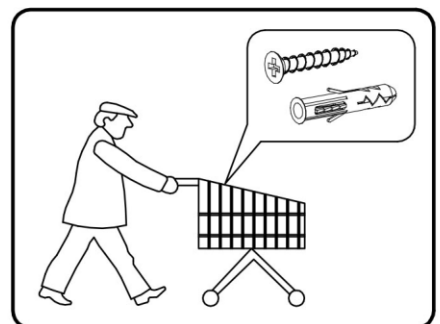
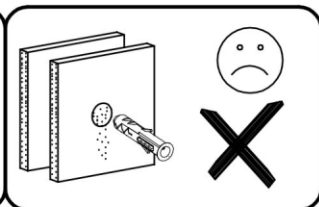
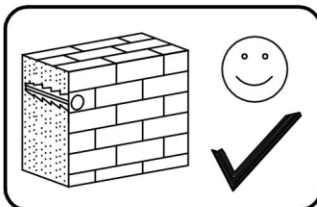
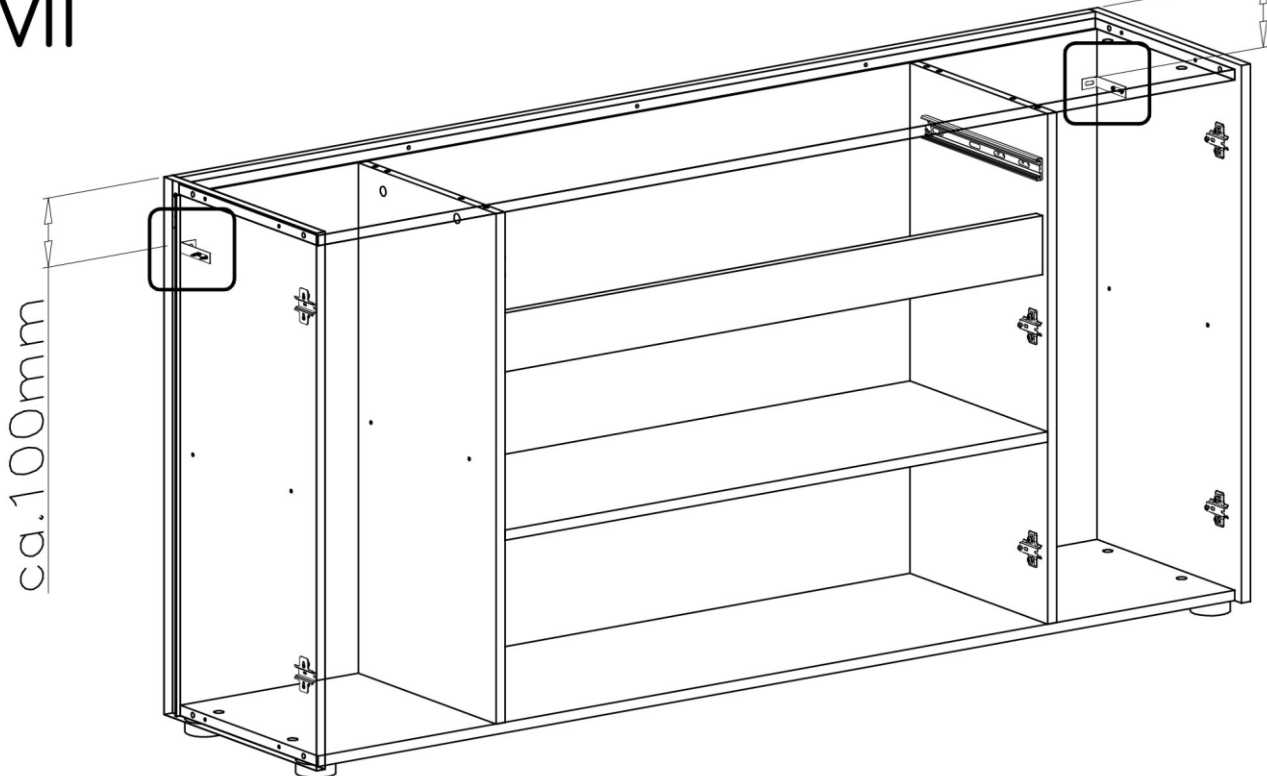
x8

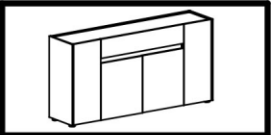





ca.100mm

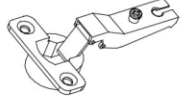
XVII

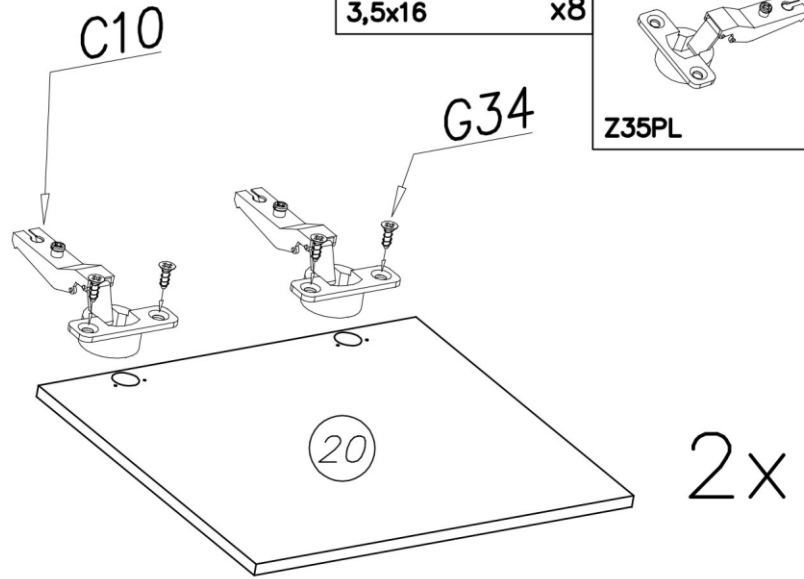
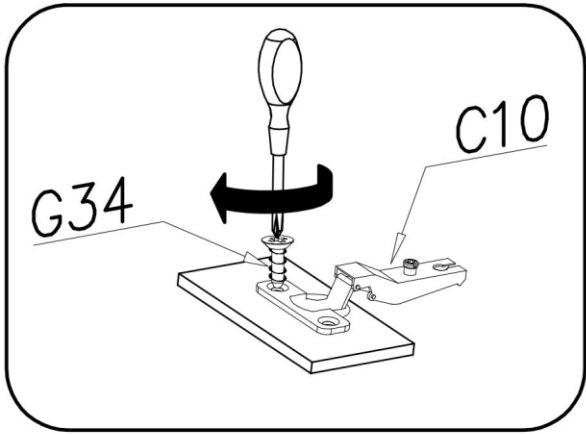





XVIII

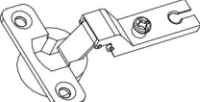
G34 
3,5x16 x8

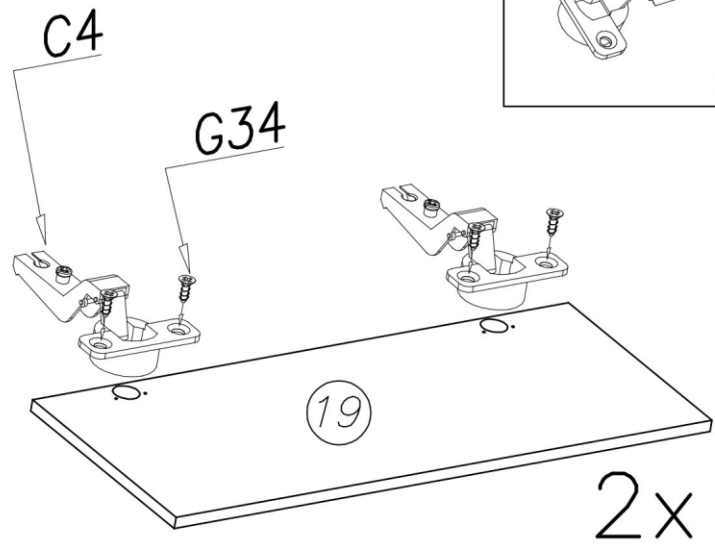
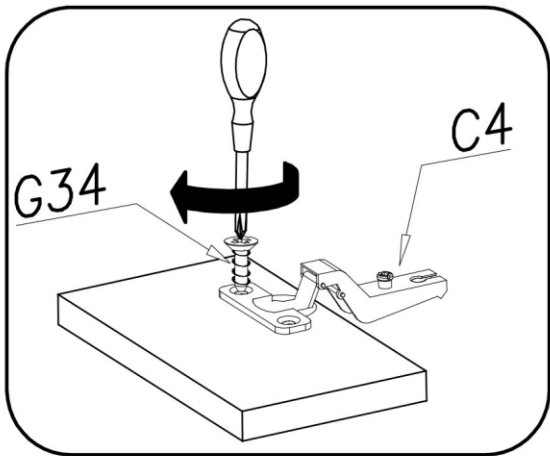
C10 $\varnothing 35$

Z35PL x4



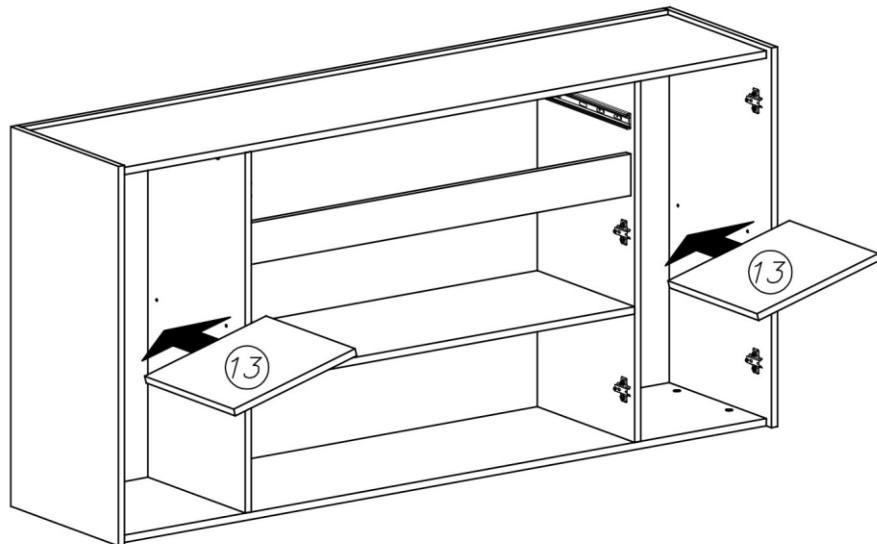
XIX

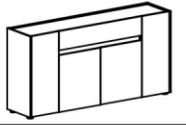
G34 
3,5x16 x8

C4 $\varnothing 35$

x4

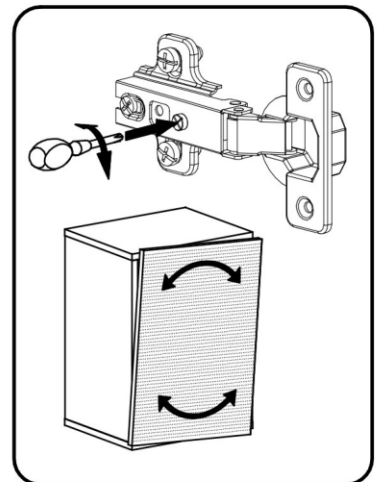
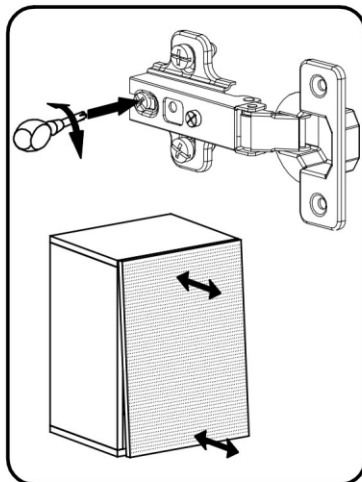
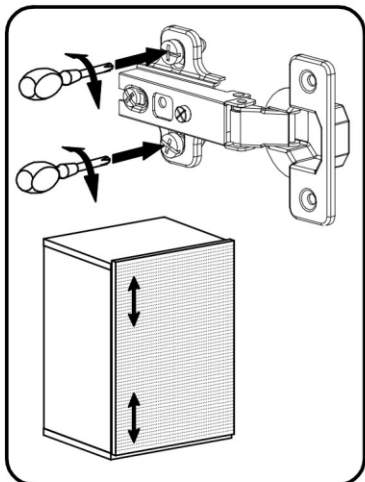
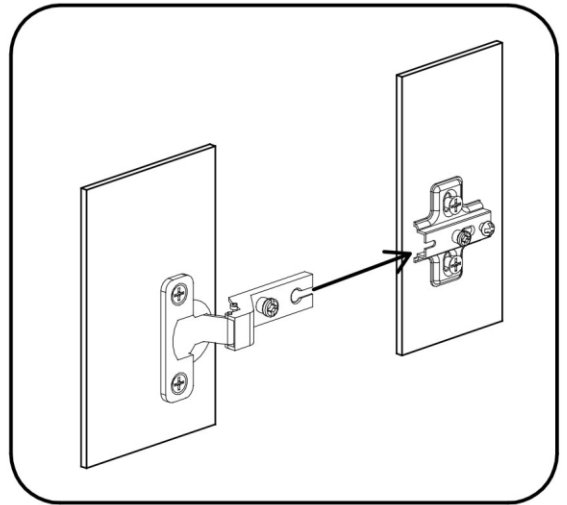
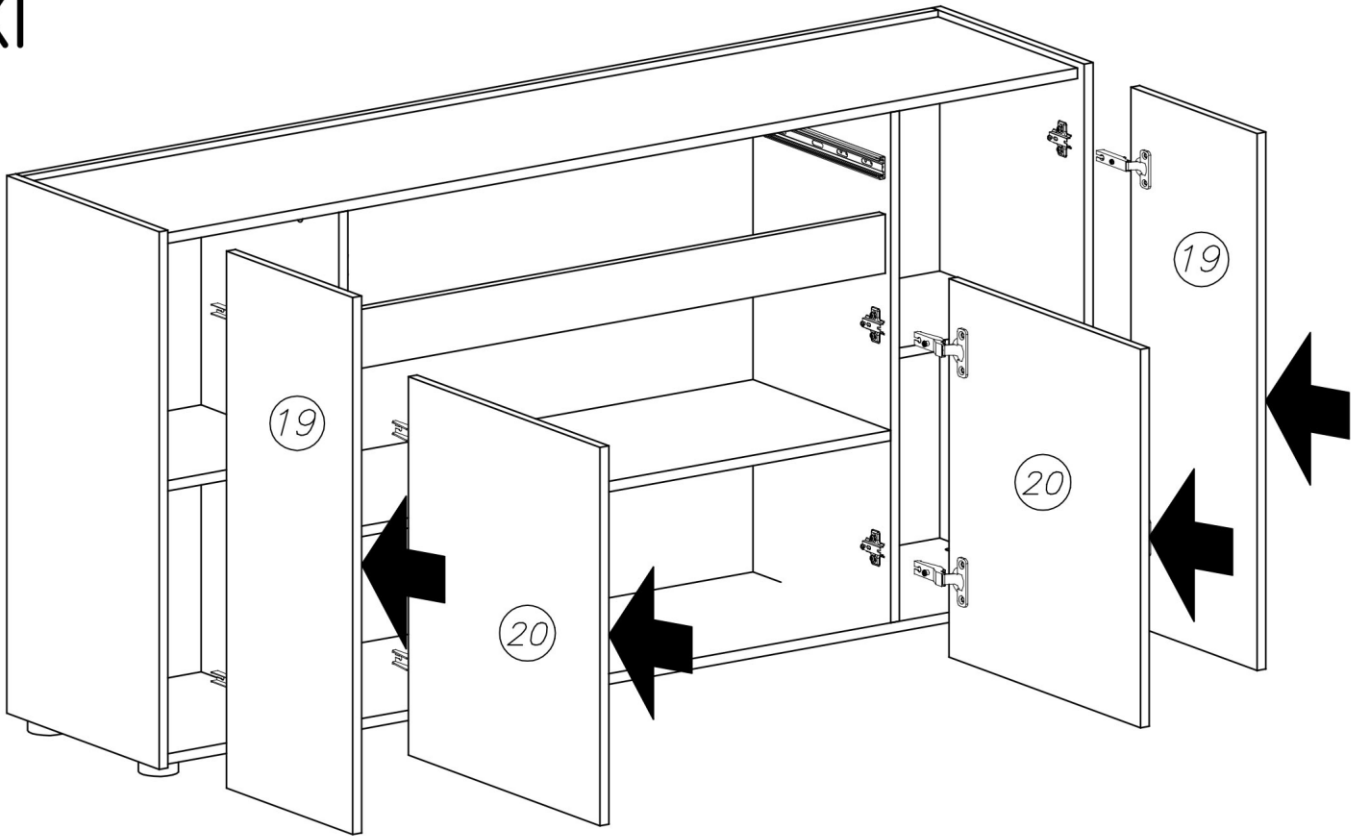


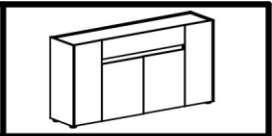
XX





XXI





XXII

17
ø18 x24

