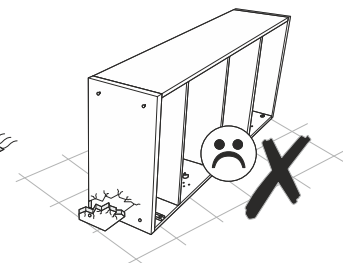
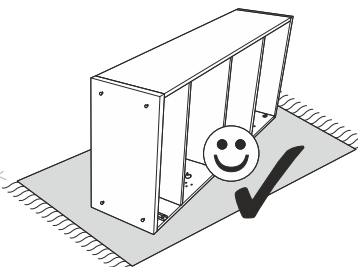
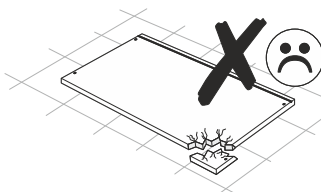
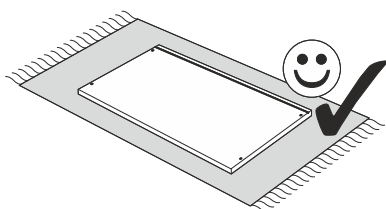
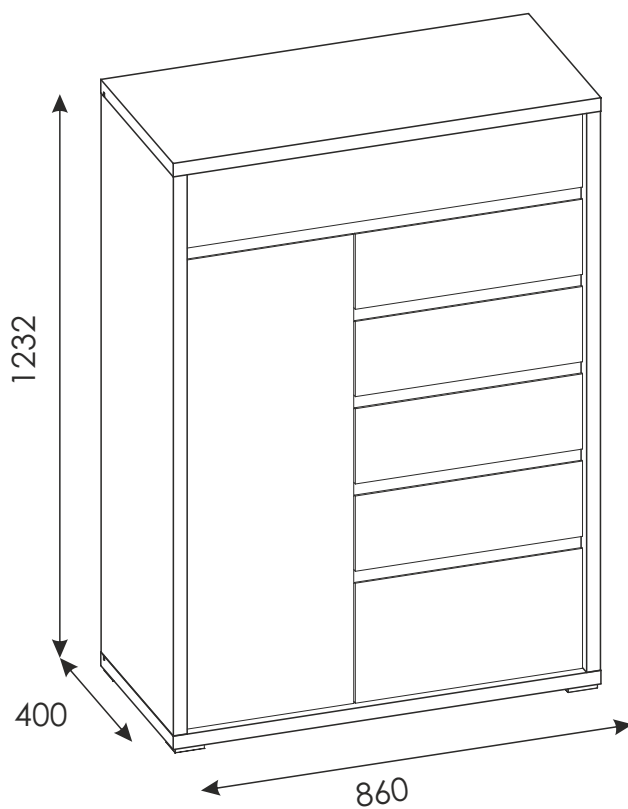
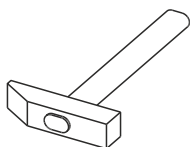
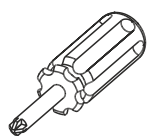
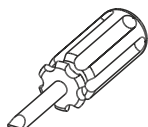
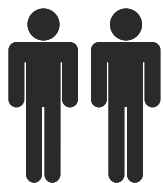
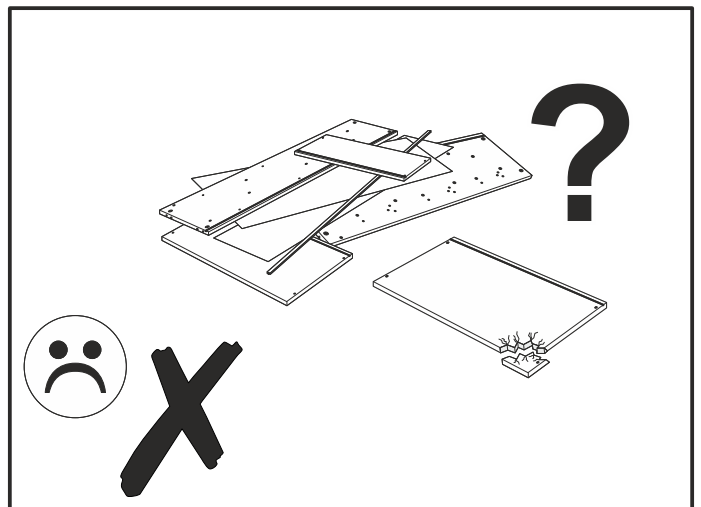
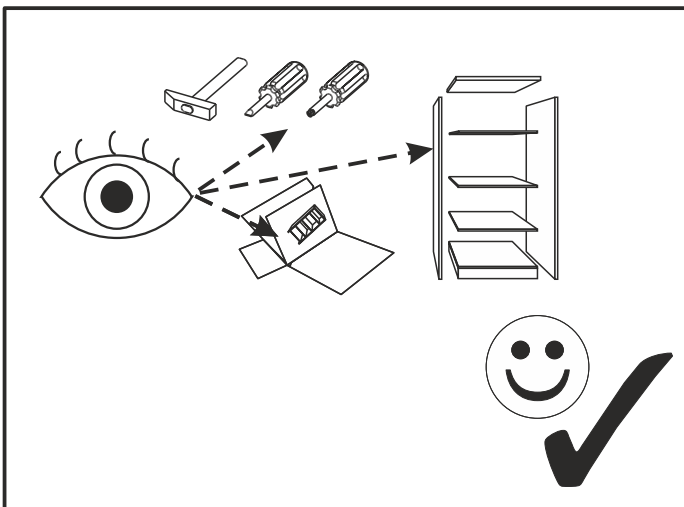
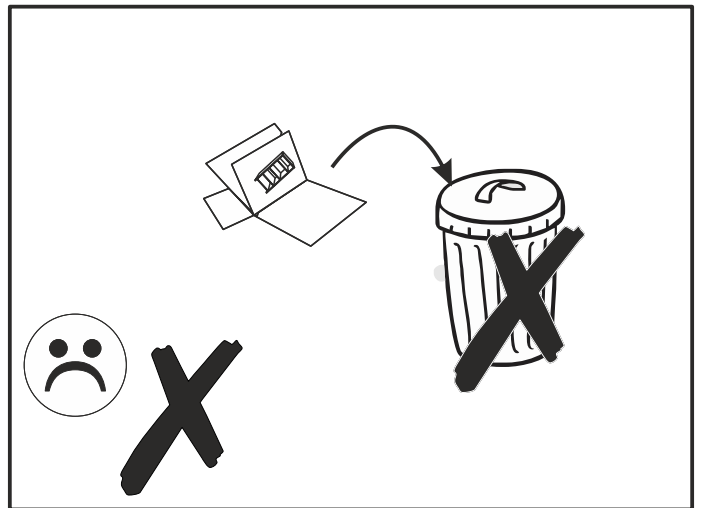
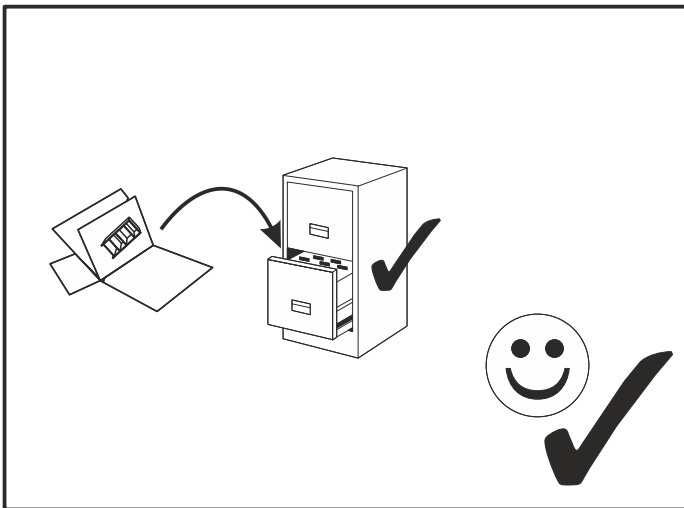
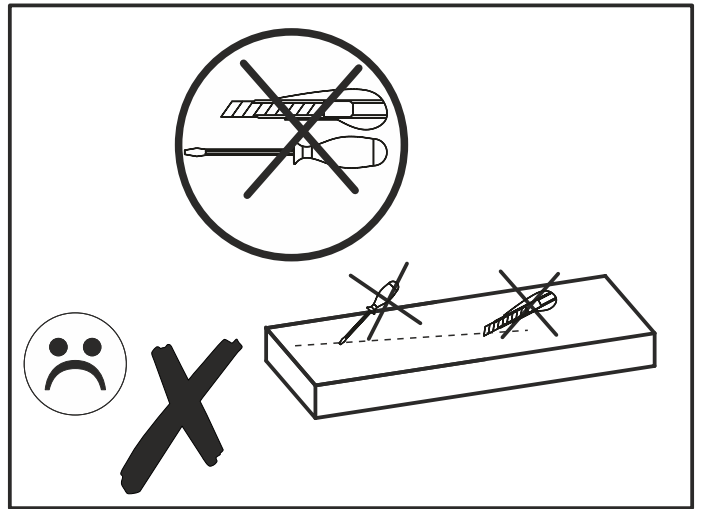
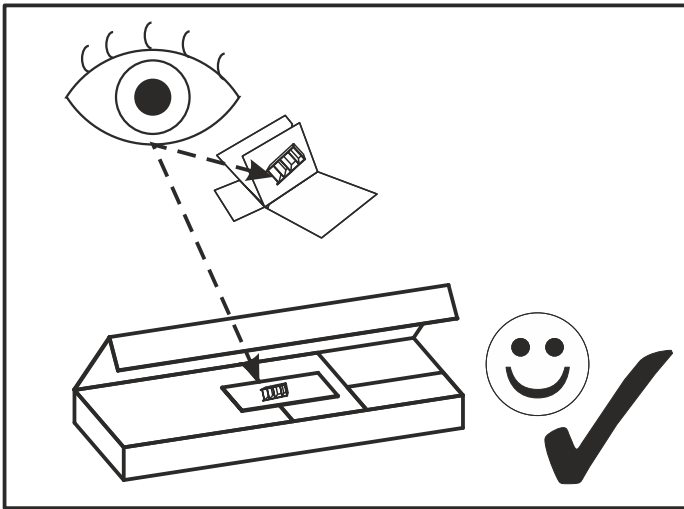

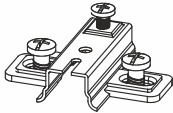



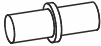
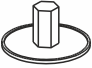

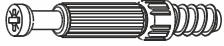



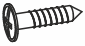

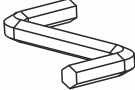


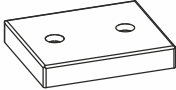




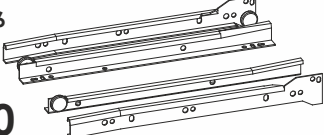
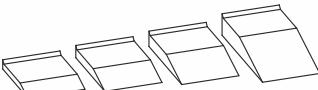
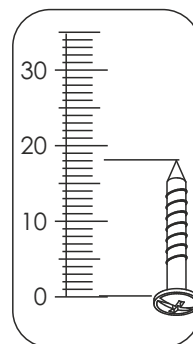
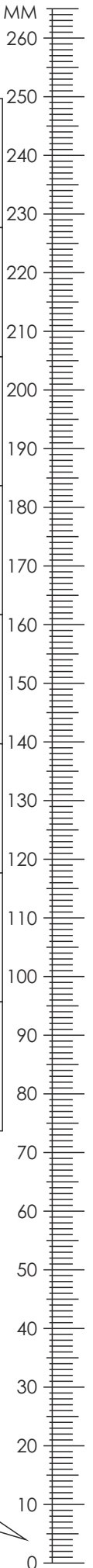


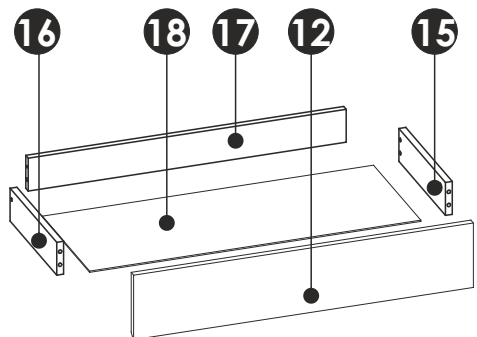
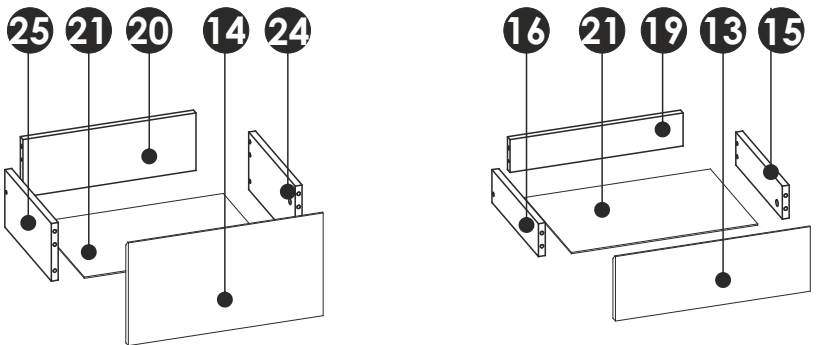
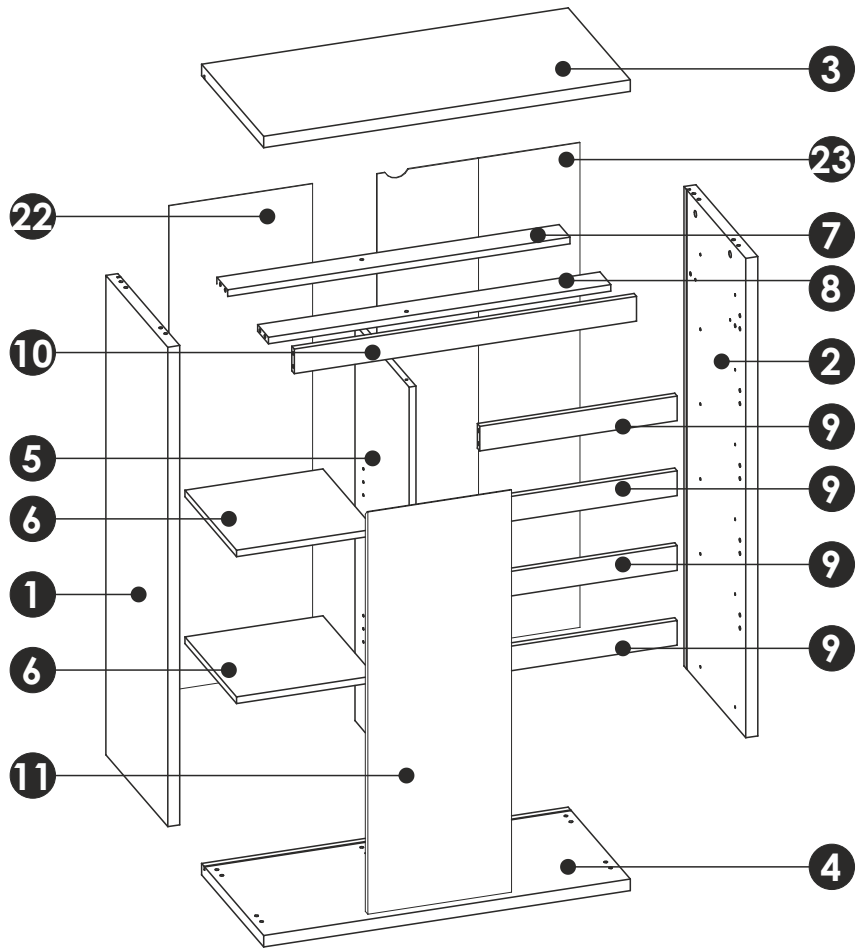
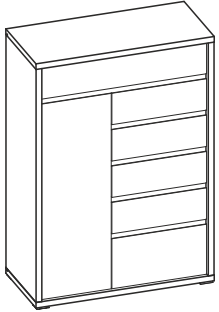
SHELDON TYP 32



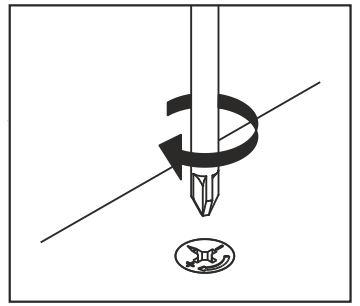
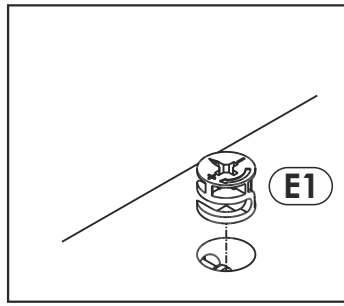
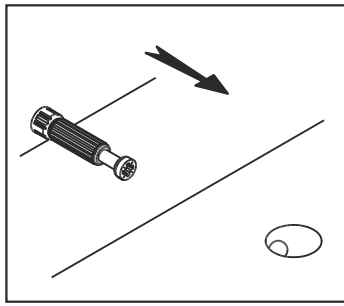
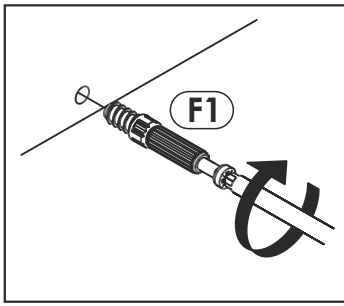


A1 x62 $\varnothing 8 \times 35\text{mm}$ 	B0 x2 	B3 x2 
C1 x4 EURO 4 x 13mm 	C2 x24 EURO 5 x 13mm 	D2 x8 
E0 x20 	E1 20 $\varnothing 15 \times 12\text{mm}$ 	F1 x20 
G0 x20 	G1 x14 $\varnothing 7 \times 50\text{mm}$ 	G2 x6 $\varnothing 7 \times 60\text{mm}$ 
I2 x1 4 x 16mm 	J1 x36 US 3 x 20mm 	M x1 
N1 x50 US 3 x 16mm 	N2 x10 US 3,5 x 16mm 	O15 x5 
Q9 x1 	R1 x6 	R4 x20 
R8 x14 	T2 x6 L-300 	Z x1 

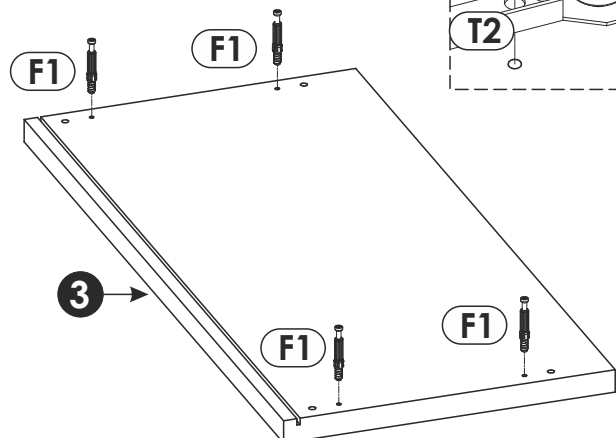
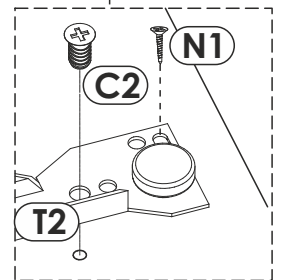
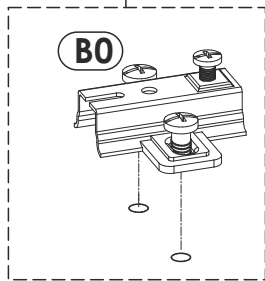
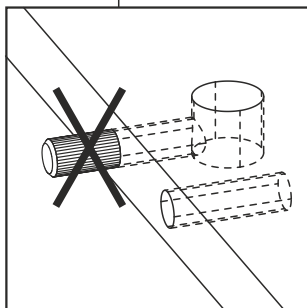
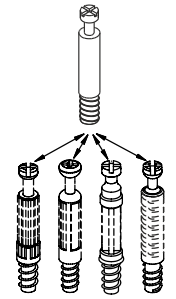
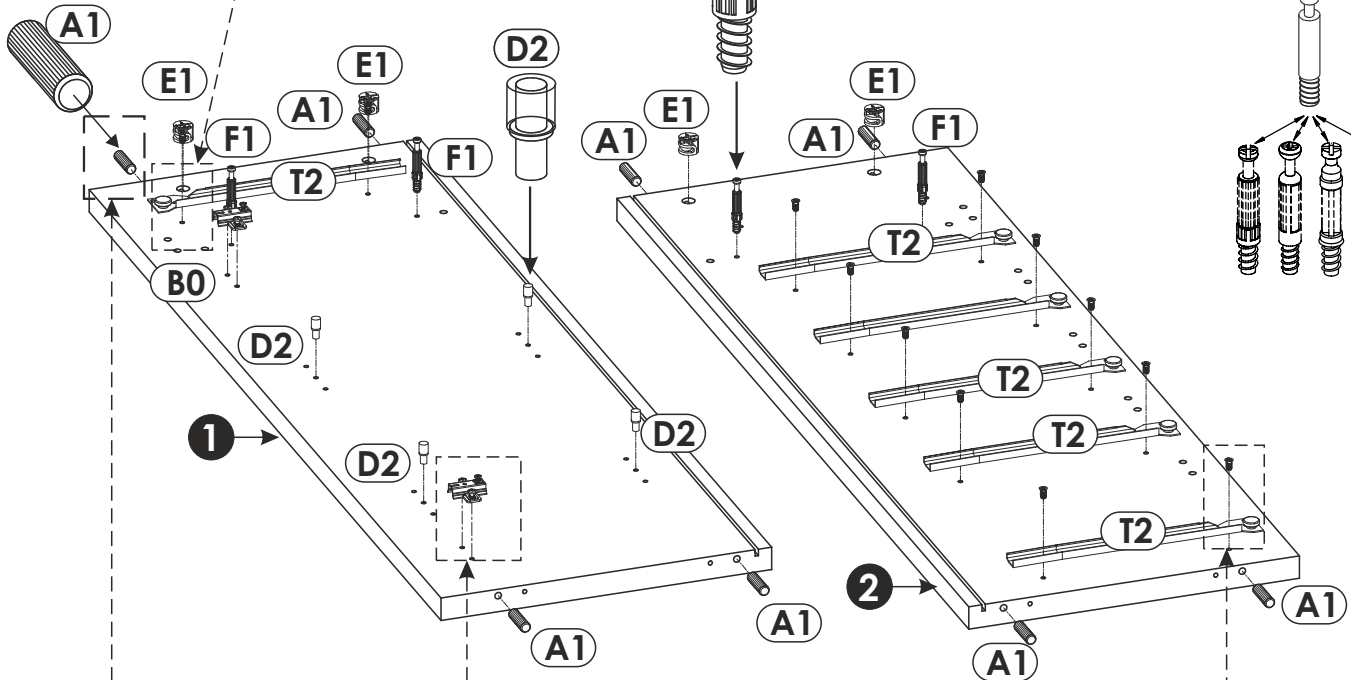
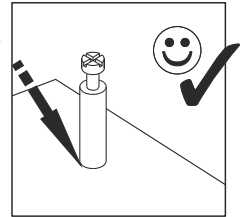
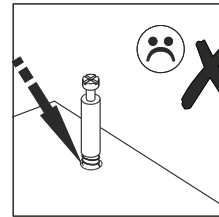
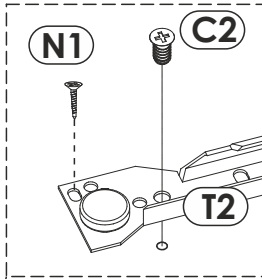




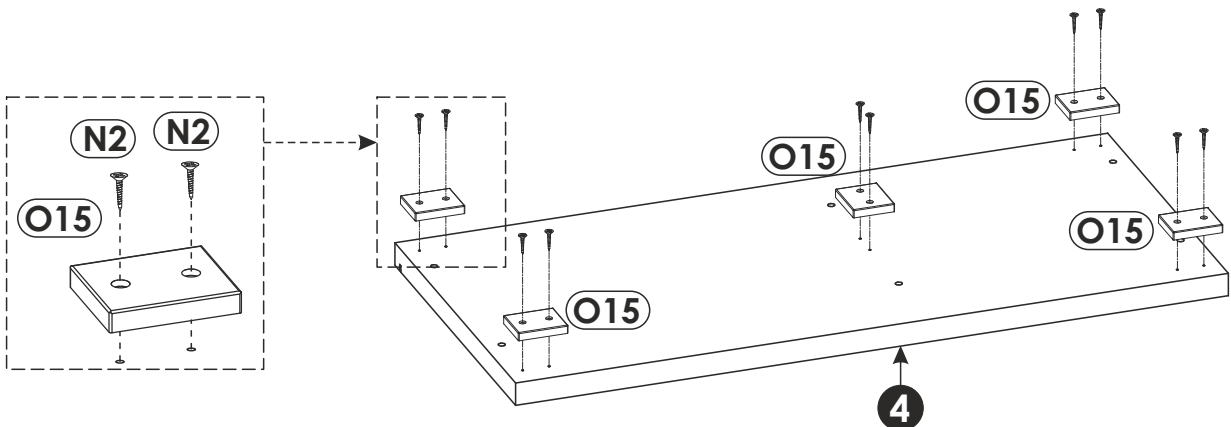
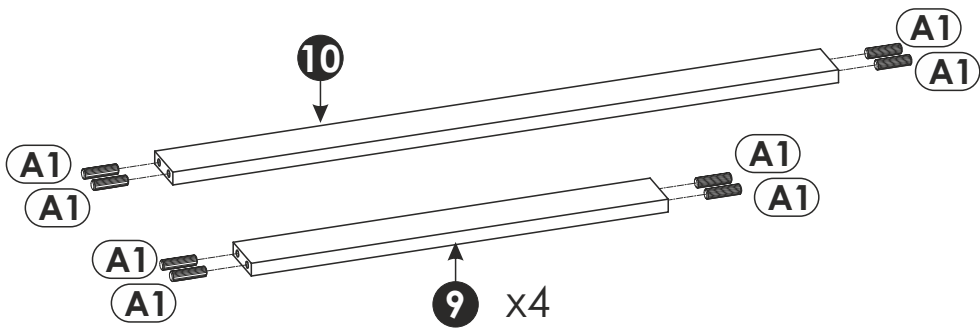
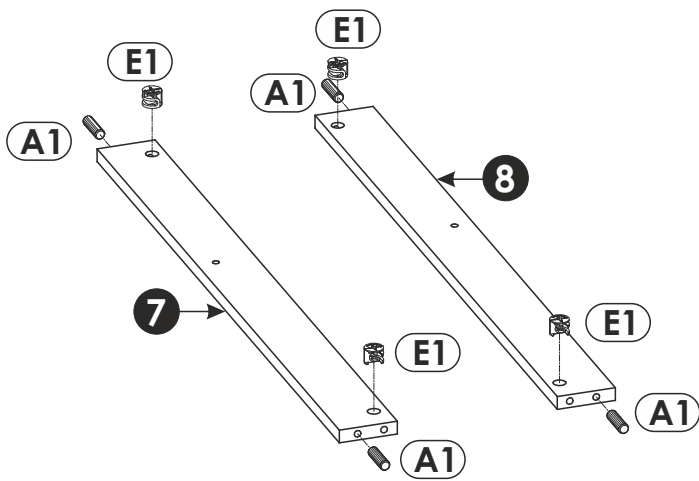
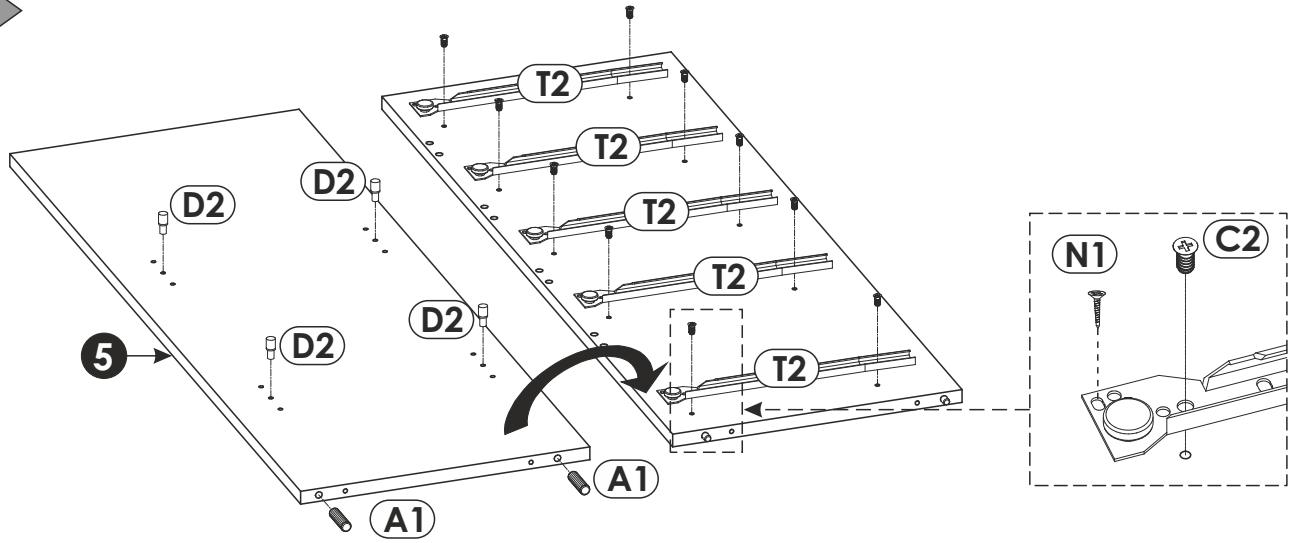
1	1166	399	28	x1	2/2
2	1166	399	28	x1	2/2
3	860	400	28	x1	1/2
4	860	400	28	x1	1/2
5	964	349	16	x1	2/2
6	324	333	16	x2	1/2
7	803	70	16	x1	1/2
8	803	70	16	x1	1/2
9	463	60	16	x1	1/2
10	803	60	16	x1	1/2
11	337	978	16	x1	2/2
12	797	157	16	x1	1/2
13	457	157	16	x4	1/2
14	457	250	16	x1	1/2
15	330	80	16	x5	1/2
16	330	80	16	x5	1/2
17	746	80	16	x1	2/2
18	777	305	3	x1	2/2
19	406	80	16	x4	2/2
20	406	140	16	x1	2/2
21	437	335	3	x5	1/2
22	1179	338	3	x1	2/2
23	1179	476	3	x1	2/2
24	330	140	16	x1	2/2
25	330	140	16	x1	2/2



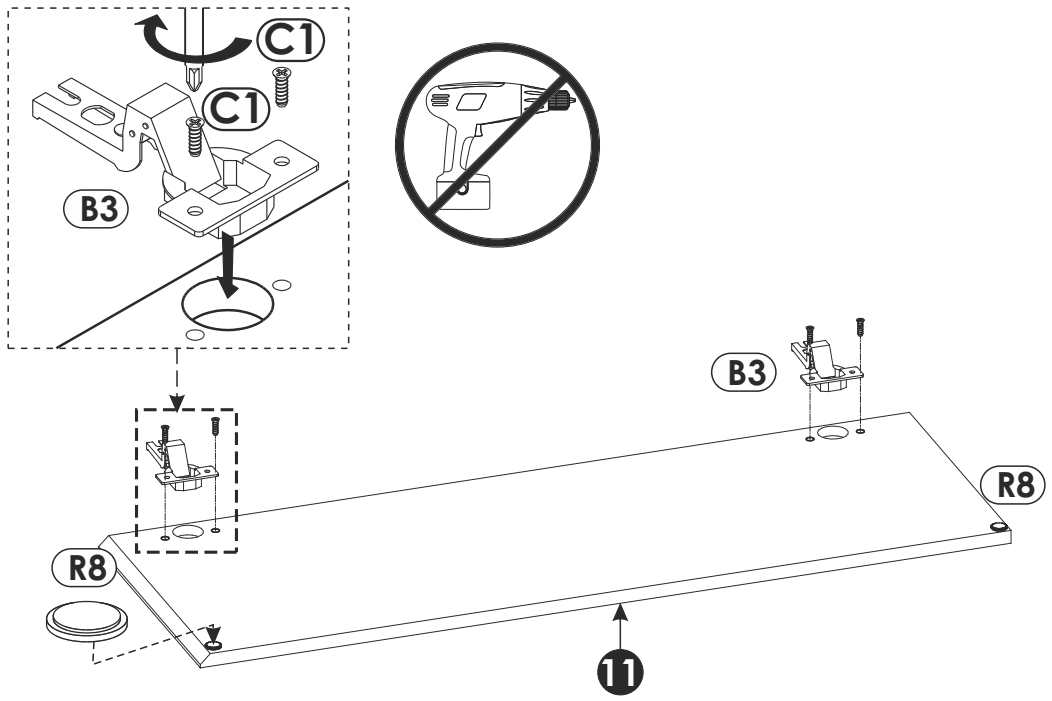
1 ▶



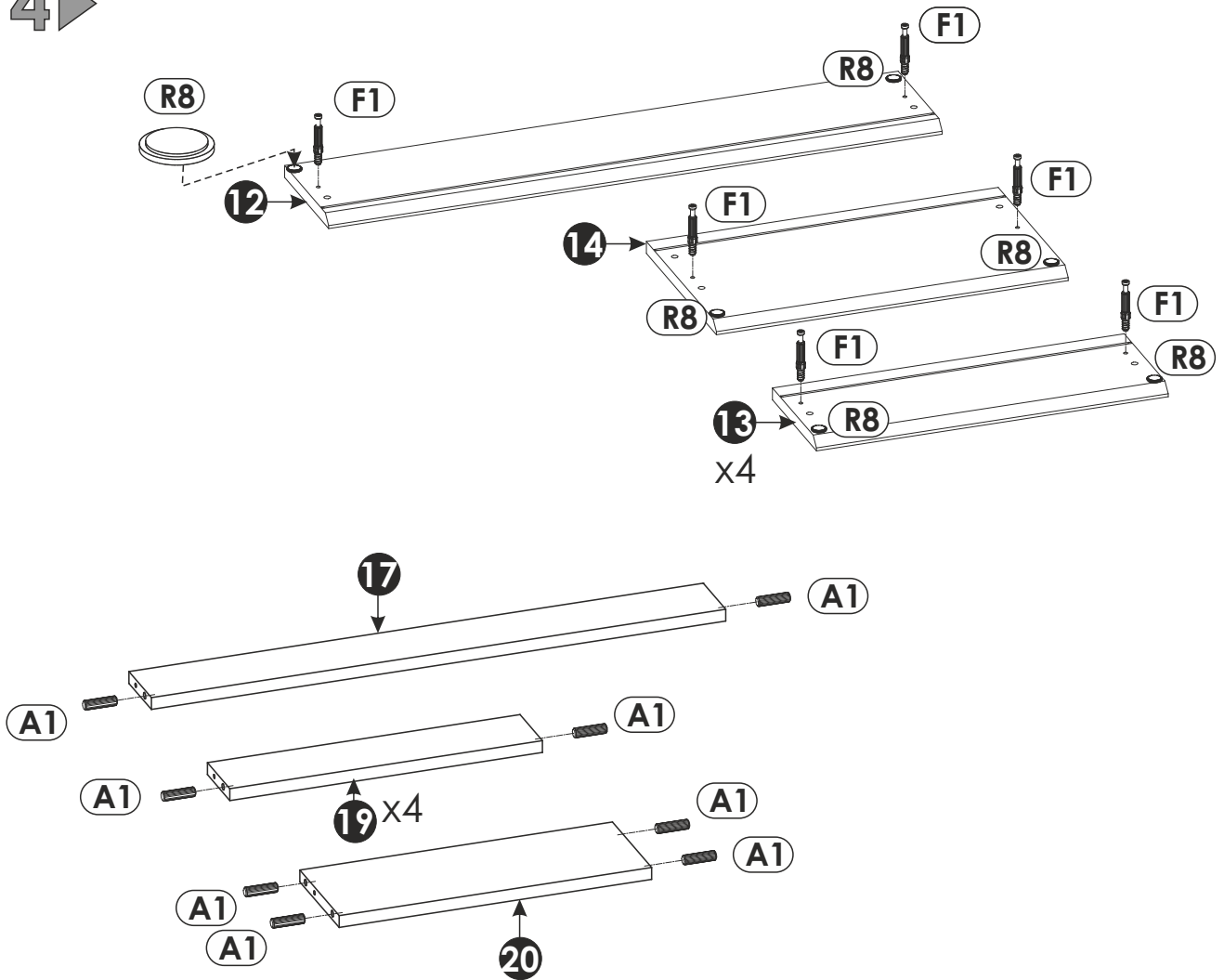
2 ▶



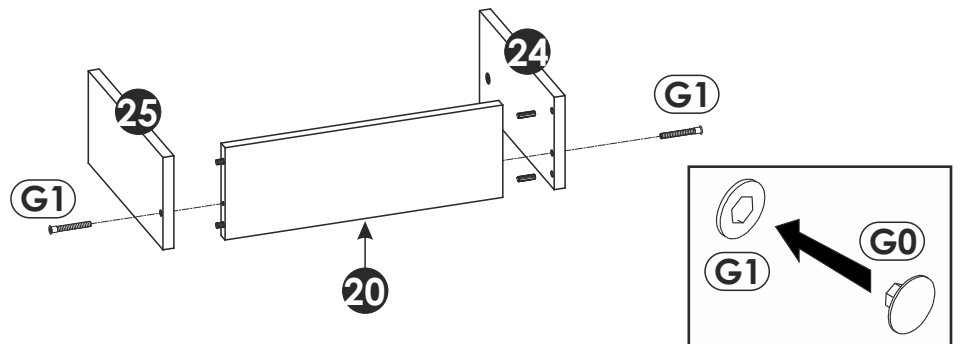
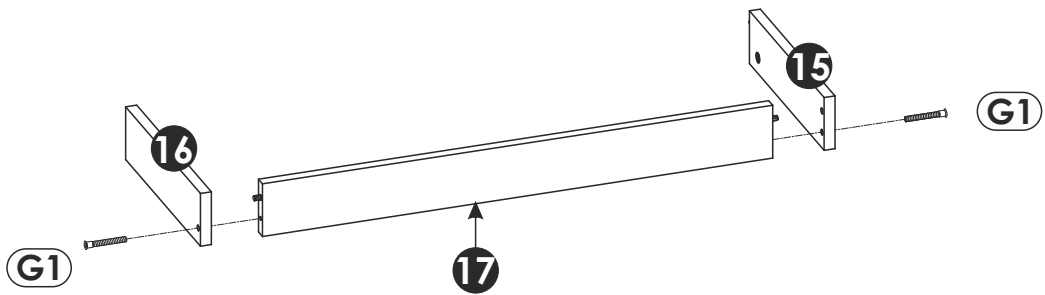
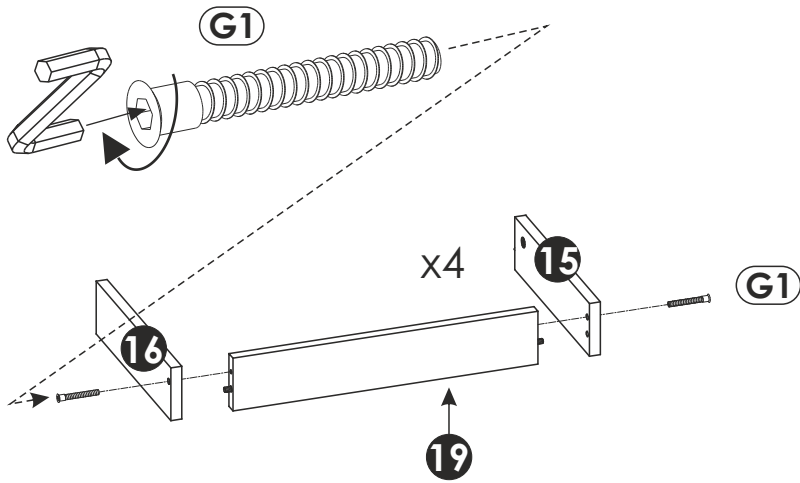
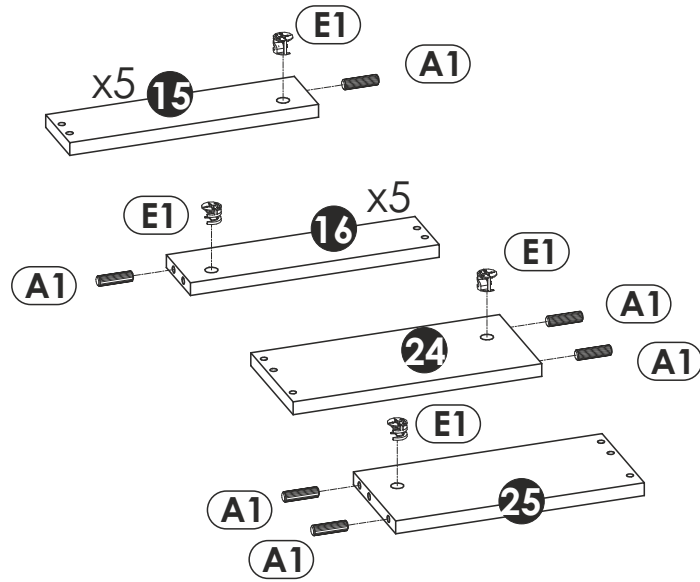
3 ▶



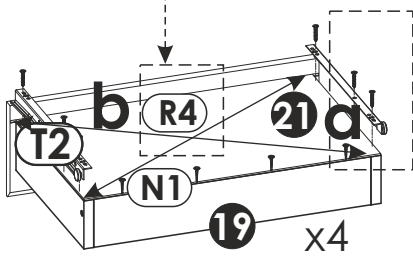
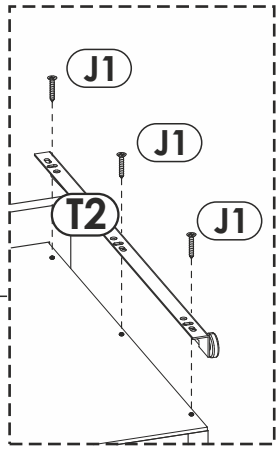
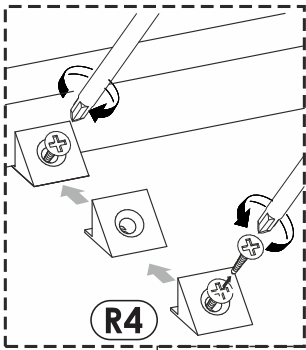
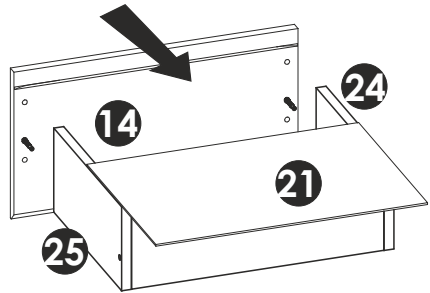
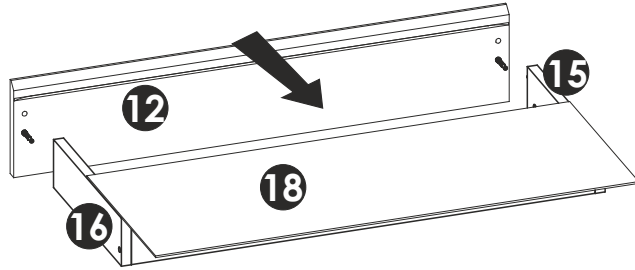
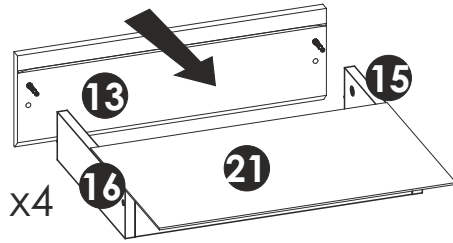
4 ▶



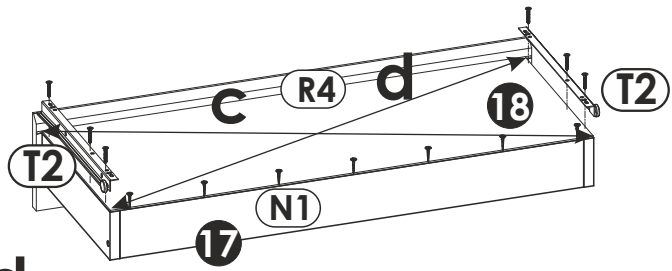
5 ▶



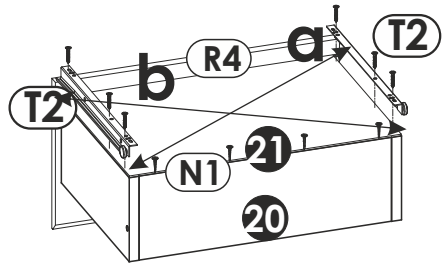
6 ▶



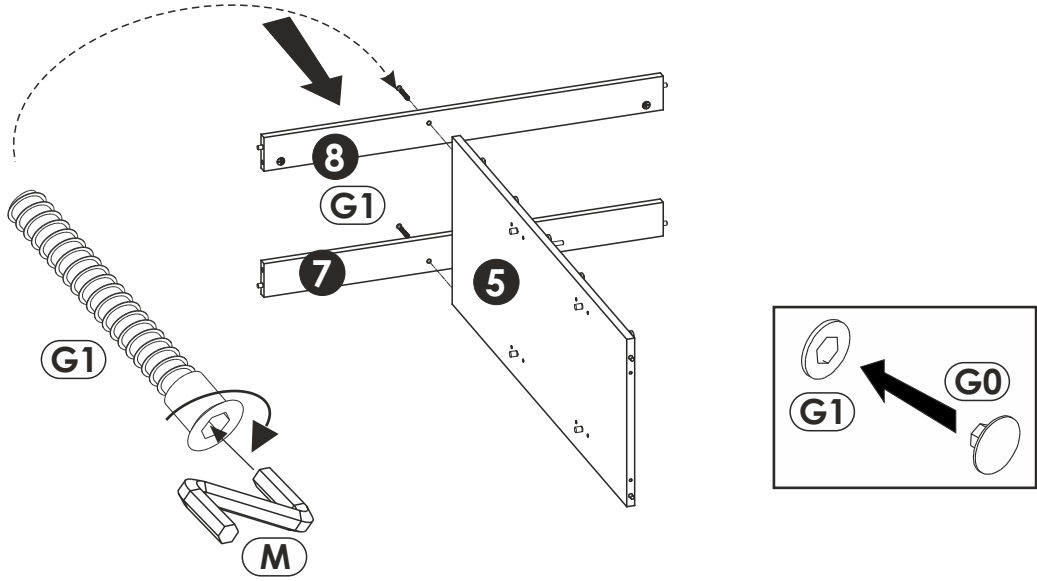
$a=b$



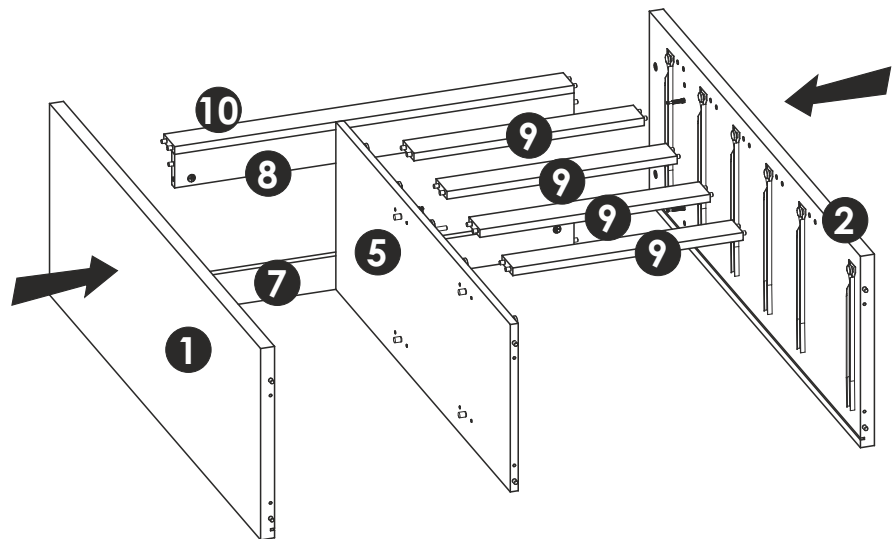
$c=d$



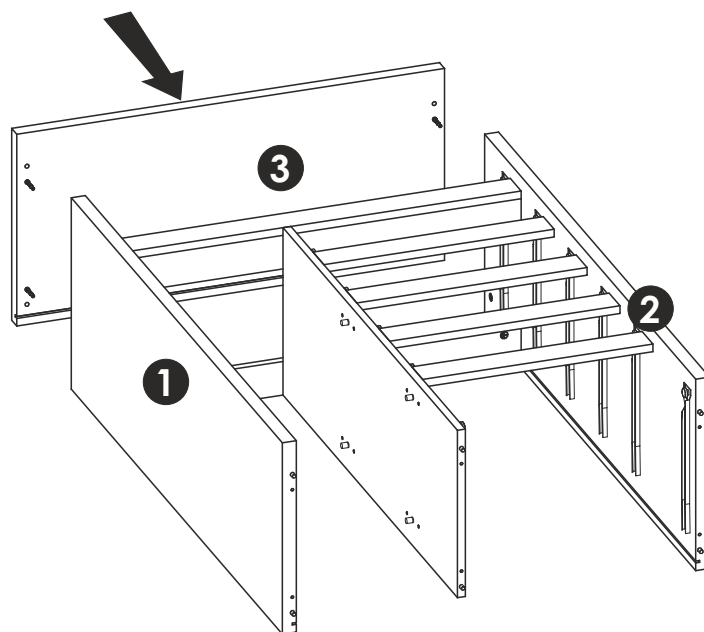
7 ▶



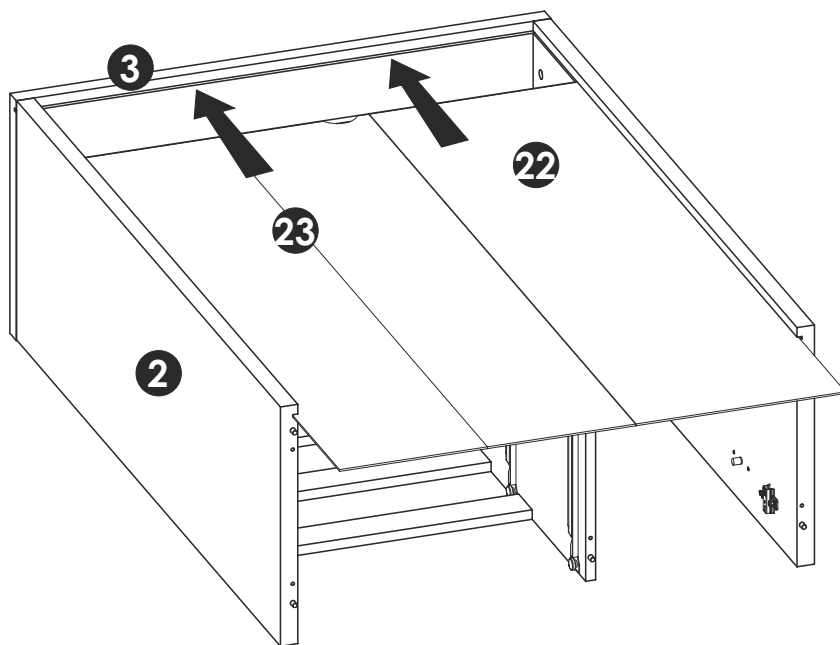
8 ▶



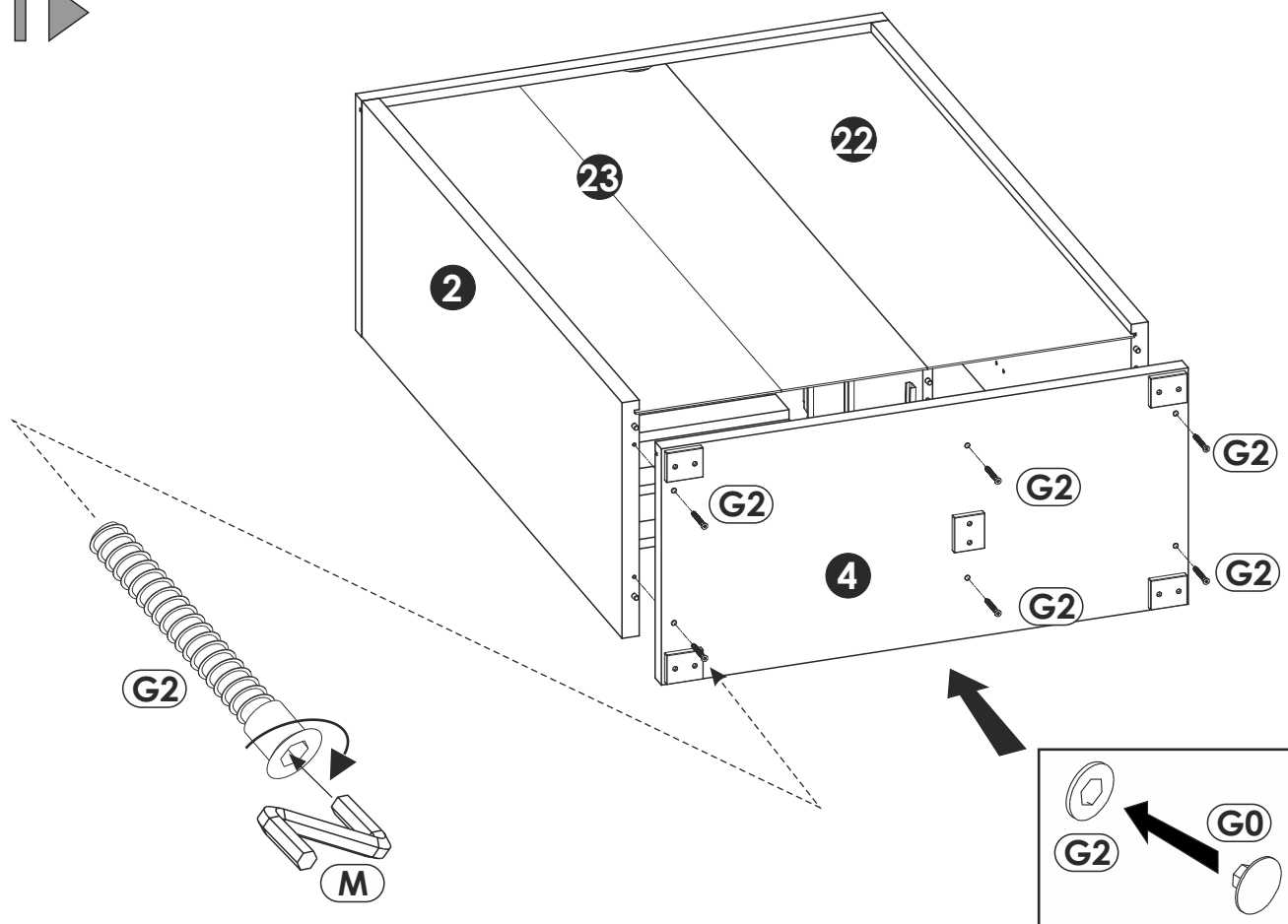
9 ▶



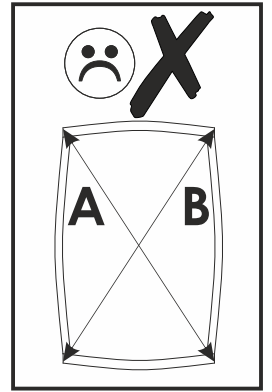
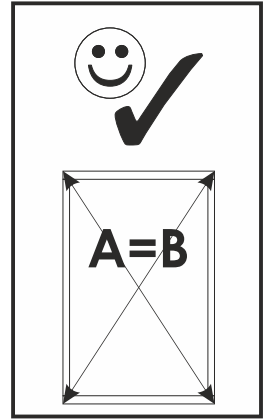
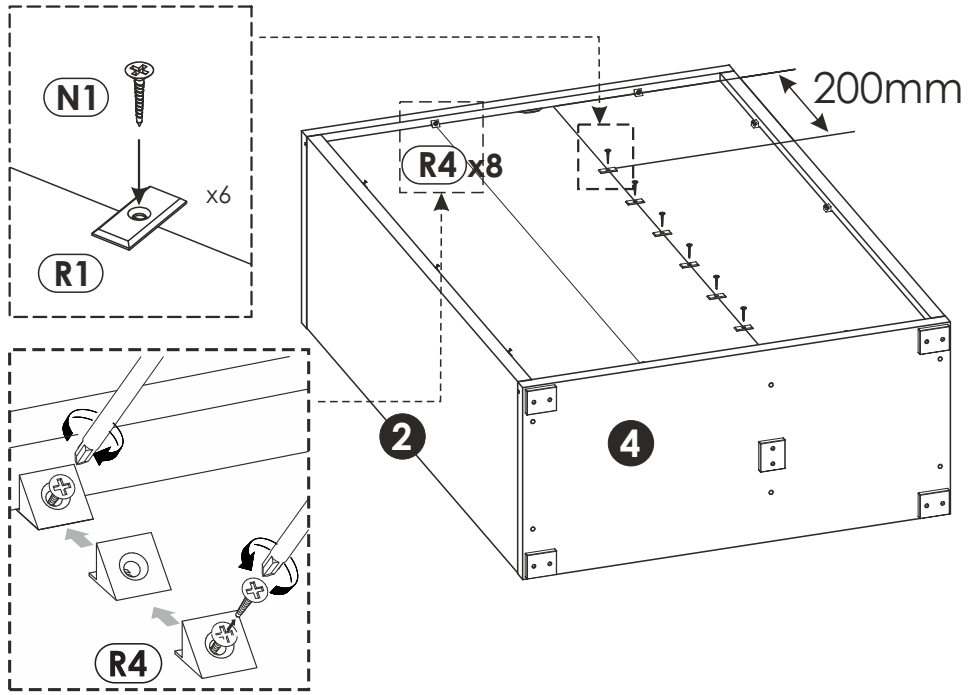
10 ▶



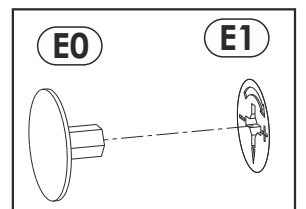
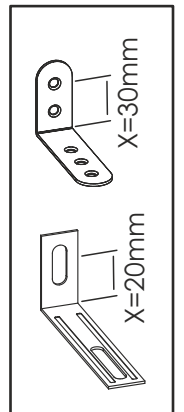
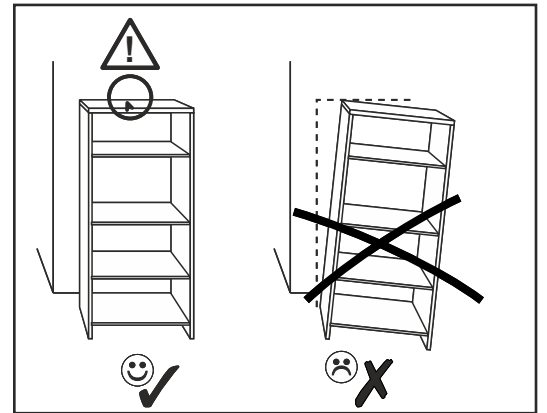
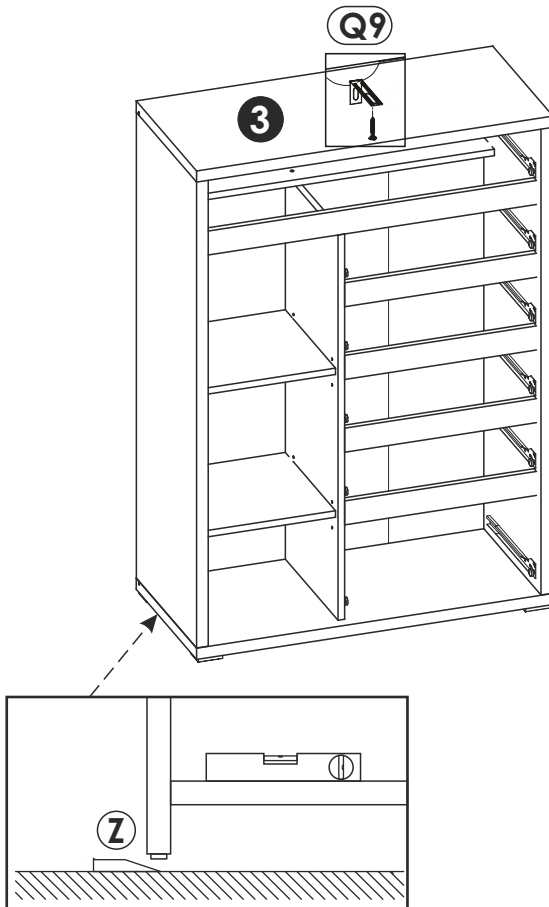
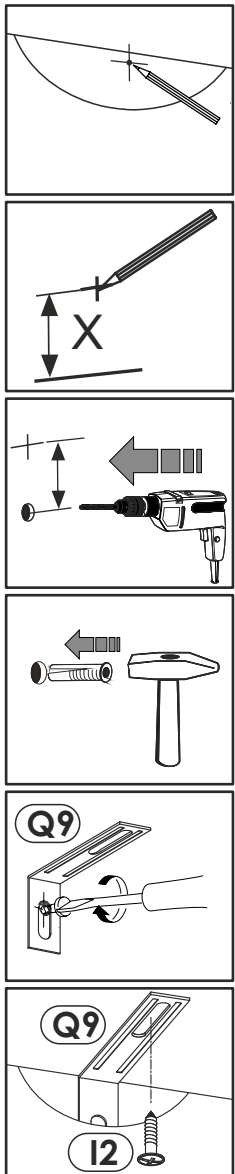
11 ▶



12▶



13▶



14▶

